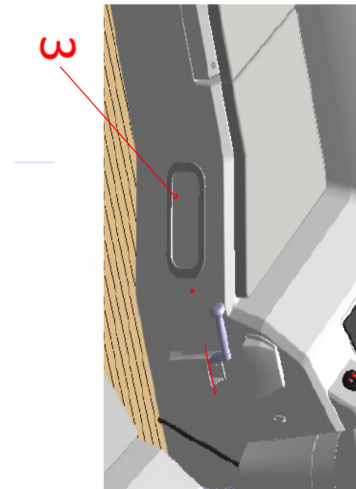
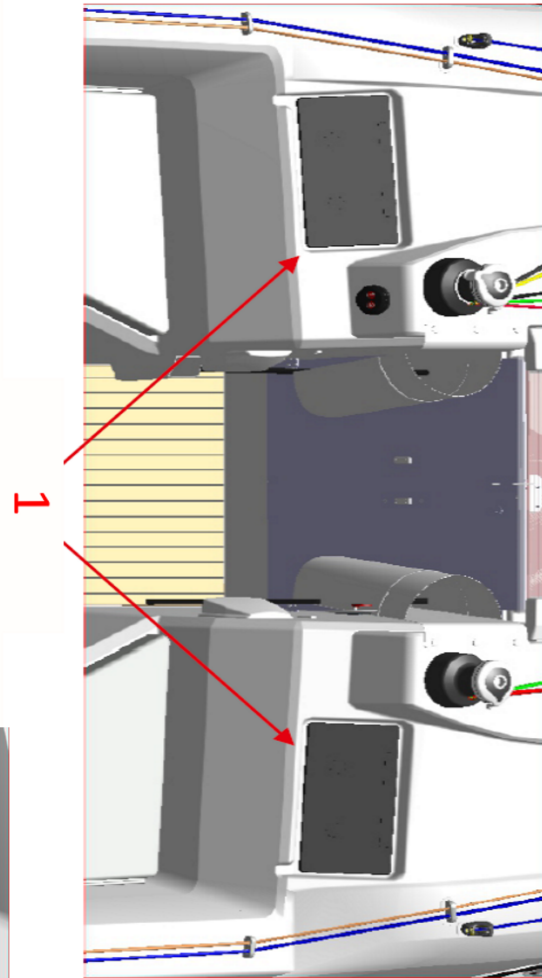
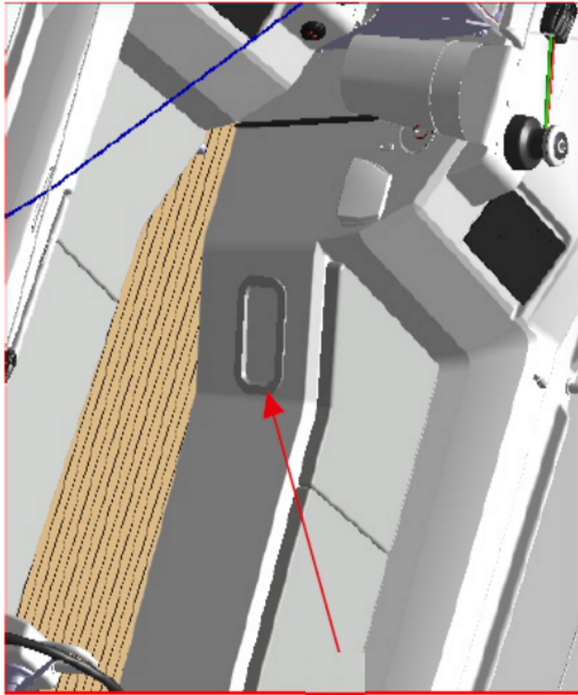


COCKPIT WINDOWS



COCKPIT WINDOWS

| option | Pos. | Part No. | Description | Quant. per boat | Version / Option | SS_FAM | Beginning hull number | Ending hull number |
|--------|------|----------|---|--------------------|--|----------------------|--------------------------|-----------------------|
| | 1 | 176315 | OPEN HATCH 330X140 FL3 | 2,000 | | VITR OUV AER COCKPIT | | |
| | 2 | 210547 | ADHESIVE TAPE HUB PNO DEMI V30 FY5MA | 1,000 | | VITR OUV AER COCKPIT | | 140 |
| | 3 | 140067 | PORTLIGHT R30 304X156 NEW | 1,000 | | VITR OUV AER COCKPIT | | |
| | 3 | 140067 | PORTLIGHT R30 304X156 NEW | 1,000 | 1CAV 2CAR 1T QUI NF3 | VITR OUV AER COCKPIT | | |
| | 3 | 140067 | PORTLIGHT R30 304X156 NEW | 1,000 | 1CAV 2CAR 1T CHENE FLOTTÉ | VITR OUV AER COCKPIT | | |
| | 3 | 140067 | PORTLIGHT R30 304X156 NEW | 1,000 | 1CAV 2CAR 1T CSA QUILLE FIXE | VITR OUV AER COCKPIT | | |
| | 3 | 140067 | PORTLIGHT R30 304X156 NEW | 1,000 | 1CAV 2CAR 1T DER NF3 | VITR OUV AER COCKPIT | | |
| | 3 | 140067 | PORTLIGHT R30 304X156 NEW | 1,000 | 1CAV 2CAR 1T CHENE FLOTTÉ | VITR OUV AER COCKPIT | | |
| | 3 | 140067 | PORTLIGHT R30 304X156 NEW | 1,000 | 1CAV 2CAR 1T CSA QUILLE RELEV | VITR OUV AER COCKPIT | | |
| | 4 | 509996 | CURTAINS ED SUNBRELLA 2C1T OC3MC | 1,000 | 1CAV 1CAR 1T NF3 QUILLE FIXE | VITR OUV AER COCKPIT | | |
| | 5 | 513605 | OC3MC HEAD WINDOW MASK 2KAB | 1,000 | 1CAV 1CAR 1T NF3 QUILLE FIXE | VITR OUV AER COCKPIT | | |
| | 5 | 513605 | OC3MC HEAD WINDOW MASK 2KAB | 1,000 | 1CAV 1CAR 1T CH FL QUILL | VITR OUV AER COCKPIT | | |

