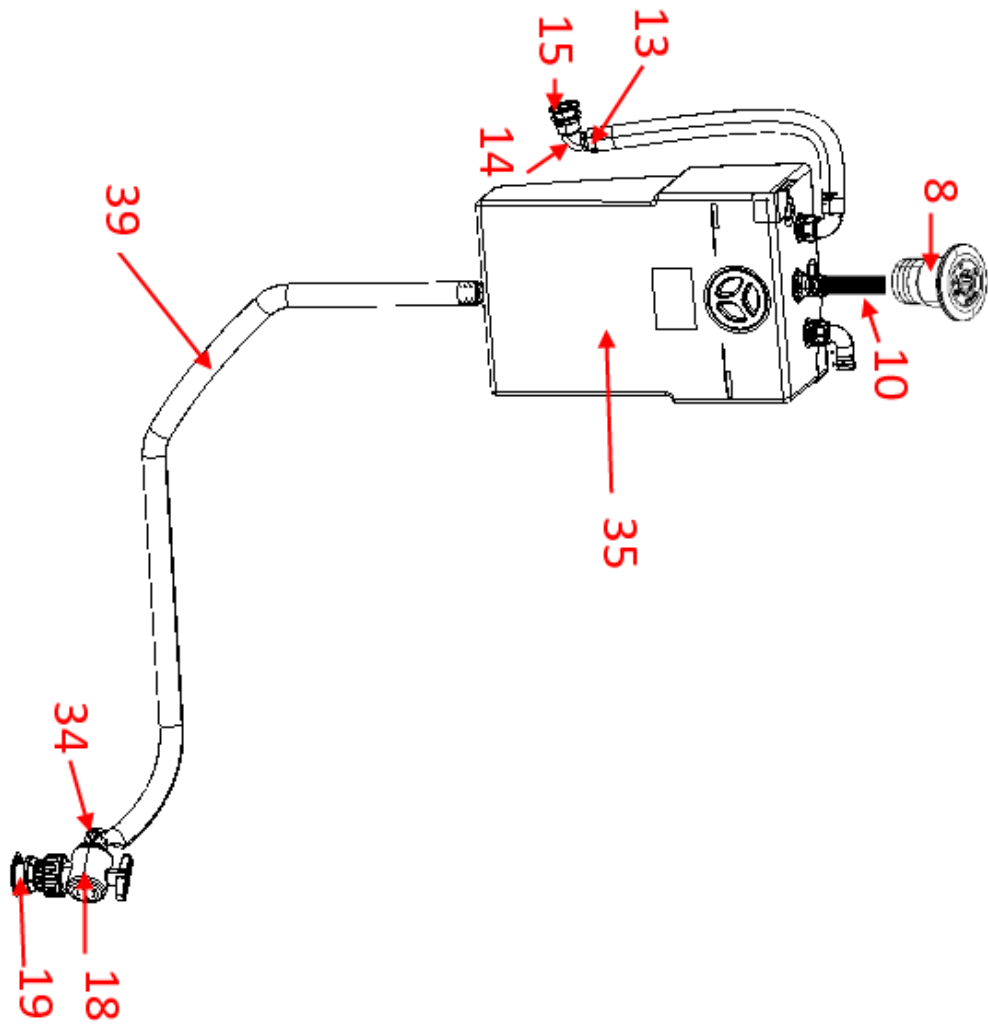
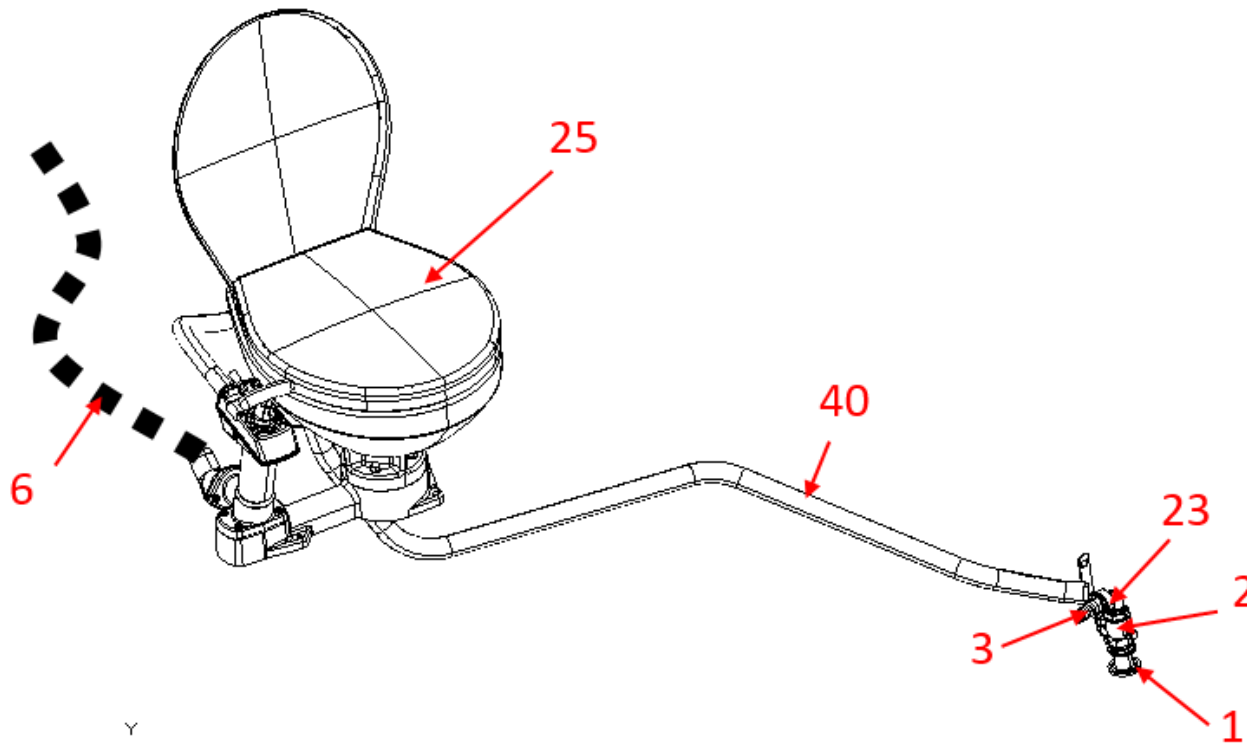


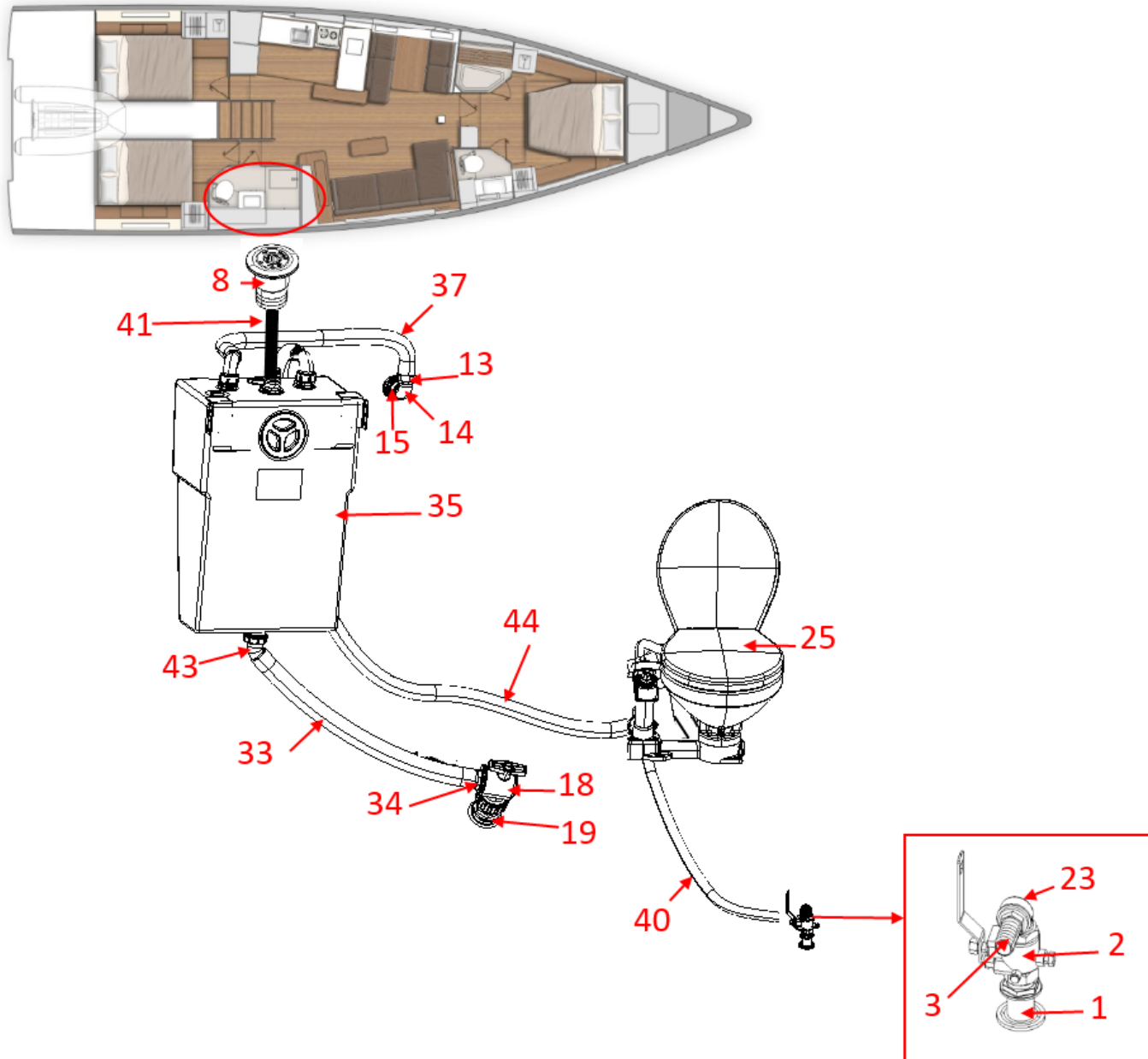
# TOILET



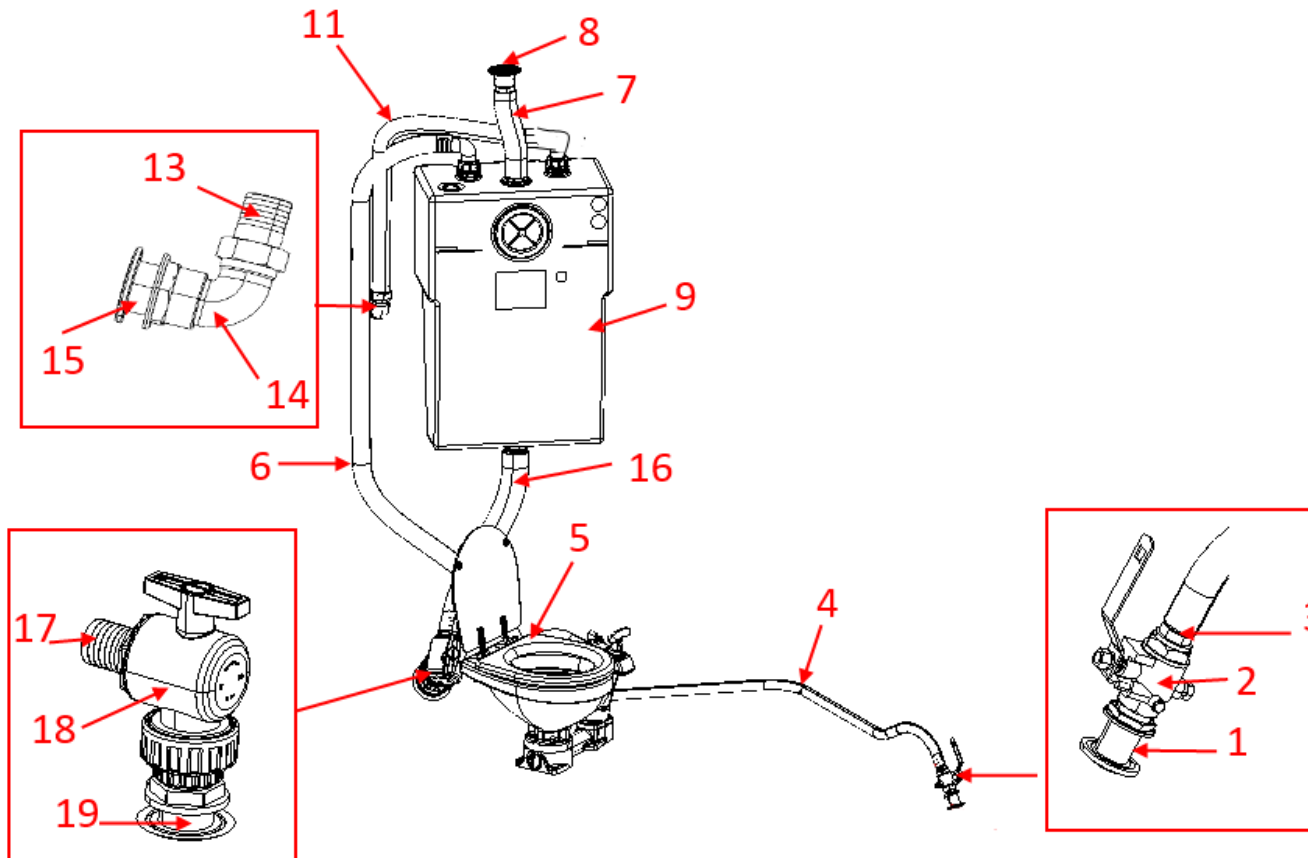
# TOILET



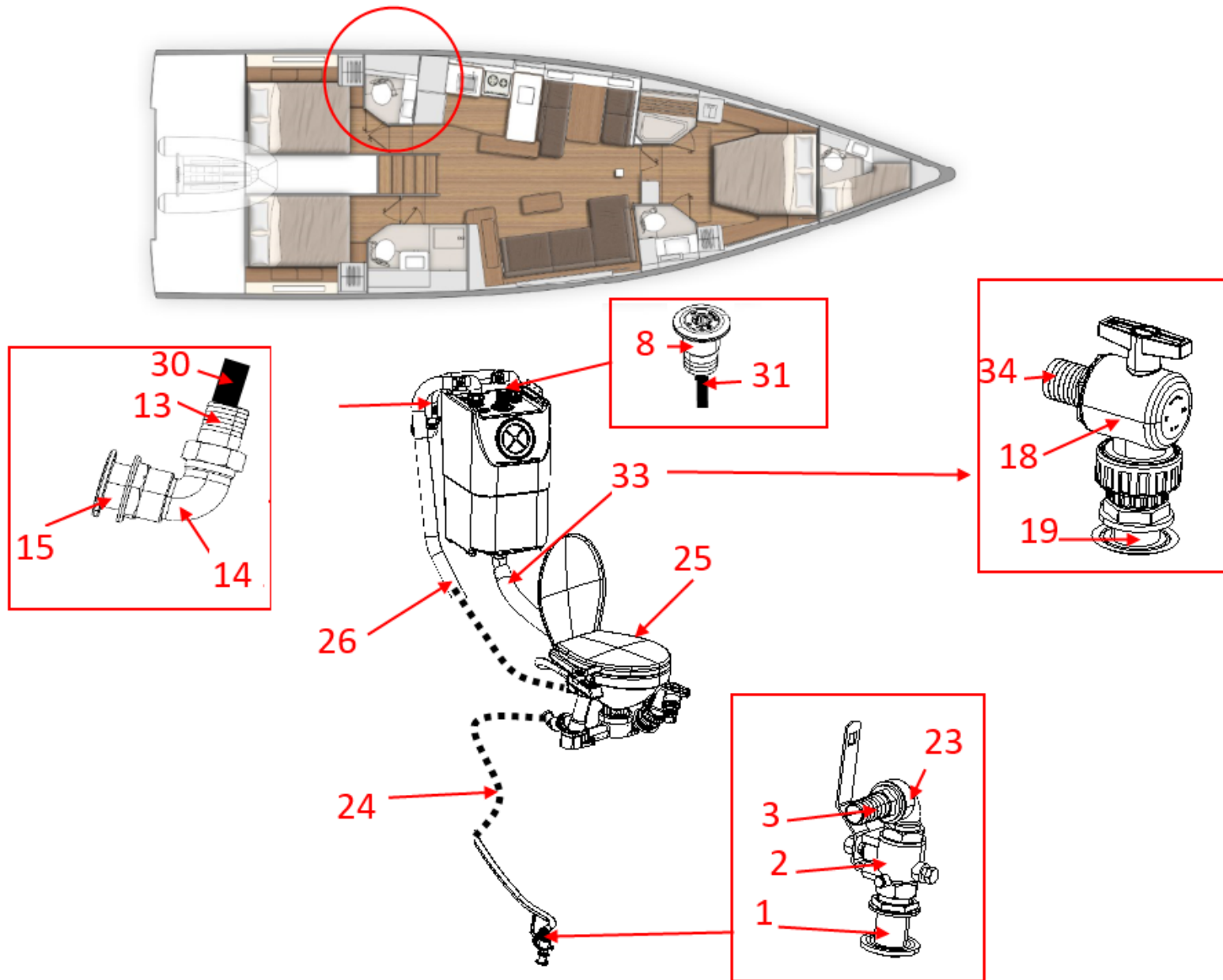
# TOILET



# TOILET



# TOILET



**TOILET**

option	Pos.	Part No.	Description	Quant. per boat	Version / Option	SS_FAM	Begining hull number	Ending hull number
	1	163561	THRU HULL BRZ 3_4P	2,000		WC		
	1	163561	THRU HULL BRZ 3_4P	1,000	CABINE D'ETRAVE TK PC	WC		
	1	163561	THRU HULL BRZ 3_4P	1,000	CABINE D'ETRAVE CD3	WC		
	1	163561	THRU HULL BRZ 3_4P	1,000	1CAV 1T 2CAR 2T SOFA TKPC	WC		38
	1	163561	THRU HULL BRZ 3_4P	1,000	1CAV 1T 2CAR 2T SOFA CDPC	WC		38
	2	163023	VALVE 2W 1 4T BRZ FF 3_4P	2,000		WC		
	2	163023	VALVE 2W 1 4T BRZ FF 3_4P	1,000	CABINE D'ETRAVE TK PC	WC		
	2	163023	VALVE 2W 1 4T BRZ FF 3_4P	1,000	CABINE D'ETRAVE CD3	WC		
	2	163023	VALVE 2W 1 4T BRZ FF 3_4P	1,000	1CAV 1T 2CAR 2T SOFA TKPC	WC		38
	2	163023	VALVE 2W 1 4T BRZ FF 3_4P	1,000	1CAV 1T 2CAR 2T SOFA CDPC	WC		38
	3	160056	CANNELED CONNECTOR PLUG M3_4P D20 BRZ	2,000		WC		
	3	160056	CANNELED CONNECTOR PLUG M3_4P D20 BRZ	1,000	CABINE D'ETRAVE TK PC	WC		
	3	160056	CANNELED CONNECTOR PLUG M3_4P D20 BRZ	1,000	CABINE D'ETRAVE CD3	WC		

**TOILET**

option	Pos.	Part No.	Description	Quant. per boat	Version / Option	SS_FAM	Beginning hull number	Ending hull number
	3	160056	CANNELED CONNECTOR PLUG M3_4P D20 BRZ	1,000	1CAV 1T 2CAR 2T SOFA TKPC	WC		38
	3	160056	CANNELED CONNECTOR PLUG M3_4P D20 BRZ	1,000	1CAV 1T 2CAR 2T SOFA CDPC	WC		38
	4	T22B0200230	TUYAU EAU GRIS D 20 L2300	1,000	CABINE D'ETRAVE TK PC	WC		
	5	185472	MANUEL WC SMALL PUMP RIGHT N2	1,000	CABINE D'ETRAVE TK PC	WC		
	6	T10B0380210	TUYAU PVC BLANC D 38 L2100	1,000		WC		
	6	T10B0380210	TUYAU PVC BLANC D 38 L2100	1,000	CABINE D'ETRAVE TK PC	WC		
	7	T10B0500022	HOSE SANITATION D50 L 220	1,000	CABINE D'ETRAVE TK PC	WC		
	8	182756	PLASTIC S S DECK FILLER FOR WASTE D50	2,000		WC		
	8	182756	PLASTIC S S DECK FILLER FOR WASTE D50	1,000	CABINE D'ETRAVE TK PC	WC		
	8	182756	PLASTIC S S DECK FILLER FOR WASTE D50	1,000	1CAV 1T 2CAR 2T SOFA TKPC	WC		
	9	087175	WASTE TANK ROTO 64L SIDE	1,000	CABINE D'ETRAVE TK PC	WC		
	10	127872	SQUARE SUPPORT RMF RIGHT L100	3,000		WC		56
	10	234604	SQUARE SUPPORT RMF RIGHT L100 V2	3,000		WC	57	

**TOILET**

option	Pos.	Part No.	Description	Quant. per boat	Version / Option	SS_FAM	Begining hull number	Ending hull number
	10	127872	SQUARE SUPPORT RMF RIGHT L100	1,000	CABINE D'ETRAVE TK PC	WC		56
	10	234604	SQUARE SUPPORT RMF RIGHT L100 V2	1,000	CABINE D'ETRAVE TK PC	WC	57	
	10	127872	SQUARE SUPPORT RMF RIGHT L100	1,000	CABINE D'ETRAVE CD3	WC		56
	10	234604	SQUARE SUPPORT RMF RIGHT L100 V2	1,000	CABINE D'ETRAVE CD3	WC	57	
	11	T10B0380070	TUYAU PVC BLANC D 38 L 700	1,000	CABINE D'ETRAVE TK PC	WC		
	12	535600	JOINT OF FIBRE 33X42	1,000	CABINE D'ETRAVE TK PC	WC		
	12	535600	JOINT OF FIBRE 33X42	1,000	CABINE D'ETRAVE CD3	WC		
	13	171579	BRASS STR GROOVED END-PIEC F1 1/2MOB D40	2,000		WC		
	13	171579	BRASS STR GROOVED END-PIEC F1 1/2MOB D40	1,000	CABINE D'ETRAVE TK PC	WC		
	13	171579	BRASS STR GROOVED END-PIEC F1 1/2MOB D40	1,000	CABINE D'ETRAVE CD3	WC		
	13	171579	BRASS STR GROOVED END-PIEC F1 1/2MOB D40	1,000	1CAV 1T 2CAR 2T SOFA TKPC	WC		
	13	171579	BRASS STR GROOVED END-PIEC F1 1/2MOB D40	1,000	1CAV 1T 2CAR 2T SOFA CDPC	WC		
	14	186380	ELBOW 90 MF 1P1_2 BRZ STDG	2,000		WC		

**TOILET**

option	Pos.	Part No.	Description	Quant. per boat	Version / Option	SS_FAM	Beginning hull number	Ending hull number
	14	186380	ELBOW 90 MF 1P1_2 BRZ STDG	1,000	CABINE D'ETRAVE TK PC	WC		
	14	186380	ELBOW 90 MF 1P1_2 BRZ STDG	1,000	CABINE D'ETRAVE CD3	WC		
	14	186380	ELBOW 90 MF 1P1_2 BRZ STDG	1,000	1CAV 1T 2CAR 2T SOFA TKPC	WC		
	14	186380	ELBOW 90 MF 1P1_2 BRZ STDG	1,000	1CAV 1T 2CAR 2T SOFA CDPC	WC		
	15	999976	BRASS CHROME SEA-COCK 1P1/2 STDG	2,000		WC		
	15	999976	BRASS CHROME SEA-COCK 1P1/2 STDG	1,000	CABINE D'ETRAVE TK PC	WC		
	15	999976	BRASS CHROME SEA-COCK 1P1/2 STDG	1,000	CABINE D'ETRAVE CD3	WC		
	15	999976	BRASS CHROME SEA-COCK 1P1/2 STDG	1,000	1CAV 1T 2CAR 2T SOFA TKPC	WC		
	15	999976	BRASS CHROME SEA-COCK 1P1/2 STDG	1,000	1CAV 1T 2CAR 2T SOFA CDPC	WC		
	16	T10B0500060	HOSE SANITATION D50 L 600	1,000	CABINE D'ETRAVE TK PC	WC		
	17	195739	RAC DRT POLY M2P D50 JOINT TOR	1,000		WC		7
	17	208243	RIGHT BRASS POLY F2P D50	1,000		WC	8	
	17	195739	RAC DRT POLY M2P D50 JOINT TOR	2,000	CABINE D'ETRAVE TK PC	WC		7

**TOILET**

option	Pos.	Part No.	Description	Quant. per boat	Version / Option	SS_FAM	Begining hull number	Ending hull number
	17	195739	RAC DRT POLY M2P D50 JOINT TOR	1,000	CABINE D'ETRAVE TK PC	WC	8	
	17	208243	RIGHT BRASS POLY F2P D50	1,000	CABINE D'ETRAVE TK PC	WC	8	
	17	195739	RAC DRT POLY M2P D50 JOINT TOR	2,000	CABINE D'ETRAVE CD3	WC		7
	17	195739	RAC DRT POLY M2P D50 JOINT TOR	1,000	CABINE D'ETRAVE CD3	WC	8	
	17	208243	RIGHT BRASS POLY F2P D50	1,000	CABINE D'ETRAVE CD3	WC	8	
	18	195670	2 WAY VALVE 1 4 PLAST CD90 FF 2P	2,000		WC		
	18	195670	2 WAY VALVE 1 4 PLAST CD90 FF 2P	1,000	CABINE D'ETRAVE TK PC	WC		
	18	195670	2 WAY VALVE 1 4 PLAST CD90 FF 2P	1,000	1CAV 1T 2CAR 2T SOFA TKPC	WC		
	19	063695	THRU HULL 2 DN50	2,000		WC		54
	19	225644	THRU HULL 2 DN50 N2	2,000		WC	55	
	19	063695	THRU HULL 2 DN50	1,000	CABINE D'ETRAVE TK PC	WC		54
	19	225644	THRU HULL 2 DN50 N2	1,000	CABINE D'ETRAVE TK PC	WC	55	
	19	063695	THRU HULL 2 DN50	1,000	CABINE D'ETRAVE CD3	WC		54
	19	225644	THRU HULL 2 DN50 N2	1,000	CABINE D'ETRAVE CD3	WC	55	

**TOILET**

option	Pos.	Part No.	Description	Quant. per boat	Version / Option	SS_FAM	Begining hull number	Ending hull number
	19	063695	THRU HULL 2 DN50	1,000	1CAV 1T 2CAR 2T SOFA TKPC	WC		54
	19	225644	THRU HULL 2 DN50 N2	1,000	1CAV 1T 2CAR 2T SOFA TKPC	WC	55	
	19	063695	THRU HULL 2 DN50	1,000	1CAV 1T 2CAR 2T SOFA CDPC	WC		54
	19	225644	THRU HULL 2 DN50 N2	1,000	1CAV 1T 2CAR 2T SOFA CDPC	WC	55	
	20	157503	LABEL STD TO DRAIN TOILET	1,000		WC		
	20	157503	LABEL STD TO DRAIN TOILET	1,000	CABINE D'ETRAVE TK PC	WC		
	20	157503	LABEL STD TO DRAIN TOILET	1,000	CABINE D'ETRAVE CD3	WC		
	20	157503	LABEL STD TO DRAIN TOILET	1,000	1CAV 1T 2CAR 2T SOFA TKPC	WC		
	20	157503	LABEL STD TO DRAIN TOILET	1,000	1CAV 1T 2CAR 2T SOFA CDPC	WC		
	21	157506	LABEL STD EL WATER TANK BLACK TOILET	1,000		WC		
	21	157506	LABEL STD EL WATER TANK BLACK TOILET	1,000	CABINE D'ETRAVE TK PC	WC		

**TOILET**

option	Pos.	Part No.	Description	Quant. per boat	Version / Option	SS_FAM	Beginning hull number	Ending hull number
	21	157506	LABEL STD EL WATER TANK BLACK TOILET	1,000	CABINE D'ETRAVE CD3	WC		
	21	157506	LABEL STD EL WATER TANK BLACK TOILET	1,000	1CAV 1T 2CAR 2T SOFA TKPC	WC		
	21	157506	LABEL STD EL WATER TANK BLACK TOILET	1,000	1CAV 1T 2CAR 2T SOFA CDPC	WC		
	22	157535	LABEL STD RIGID SUPPORT	1,000		WC		
	22	157535	LABEL STD RIGID SUPPORT	1,000	CABINE D'ETRAVE TK PC	WC		
	22	157535	LABEL STD RIGID SUPPORT	1,000	CABINE D'ETRAVE CD3	WC		
	22	157535	LABEL STD RIGID SUPPORT	1,000	1CAV 1T 2CAR 2T SOFA TKPC	WC		
	22	157535	LABEL STD RIGID SUPPORT	1,000	1CAV 1T 2CAR 2T SOFA CDPC	WC		
	23	186383	ELBOW 90 MF 3_4P BRZ STDG	2,000		WC		
	23	186383	ELBOW 90 MF 3_4P BRZ STDG	1,000	1CAV 1T 2CAR 2T SOFA TKPC	WC		38
	23	186383	ELBOW 90 MF 3_4P BRZ STDG	1,000	1CAV 1T 2CAR 2T SOFA CDPC	WC		38

**TOILET**

option	Pos.	Part No.	Description	Quant. per boat	Version / Option	SS_FAM	Begining hull number	Ending hull number
	24	T25B0200100	HOSE SEA WATER D 20 L1000	1,000	1CAV 1T 2CAR 2T SOFA TKPC	WC		38
	25	185011	MARINE WC LARGE PPE LEFT NEWN2	2,000		WC		
	25	185011	MARINE WC LARGE PPE LEFT NEWN2	1,000	1CAV 1T 2CAR 2T SOFA TKPC	WC		38
	26	T10B0380300	TUYAU PVC BLANC D 38 L3000	1,000	1CAV 1T 2CAR 2T SOFA TKPC	WC		38
	27	157504	LABEL STD WATER ASPIRATION TOILET	1,000	1CAV 1T 2CAR 2T SOFA TKPC	WC		38
	27	157504	LABEL STD WATER ASPIRATION TOILET	1,000	1CAV 1T 2CAR 2T SOFA CDPC	WC		38
	28	064215	WASTE TANK 50L ROTO	1,000	1CAV 1T 2CAR 2T SOFA TKPC	WC		50
	28	204488	WASTE TANK ROTO 64L ELECT GAUGE	1,000	1CAV 1T 2CAR 2T SOFA TKPC	WC	51	
	28	204488	WASTE TANK ROTO 64L ELECT GAUGE	1,000	1CAV 1T 2CAR 2T SOFA CDPC	WC	51	
	29	981201	SQUARE SUPPORT HOLDING TANK L130	2,000	1CAV 1T 2CAR 2T SOFA TKPC	WC		50

**TOILET**

option	Pos.	Part No.	Description	Quant. per boat	Version / Option	SS_FAM	Beginning hull number	Ending hull number
	29	981201	SQUARE SUPPORT HOLDING TANK L130	2,000	1CAV 1T 2CAR 2T SOFA CDPC	WC		50
	30	T10B0380065	WHITE PVC PIPE D38 L650	1,000	1CAV 1T 2CAR 2T SOFA TKPC	WC		
	31	T10B0500030	HOSE SANITATION D50 L 300	1,000	1CAV 1T 2CAR 2T SOFA TKPC	WC		
	32	087626	RAC CD POLY 045 M2P D50	1,000	1CAV 1T 2CAR 2T SOFA TKPC	WC		10
	32	198407	RAC CD POLY 045 F2P D50	1,000	1CAV 1T 2CAR 2T SOFA TKPC	WC	11	50
	32	087626	RAC CD POLY 045 M2P D50	1,000	1CAV 1T 2CAR 2T SOFA TKPC	WC	51	
	32	087626	RAC CD POLY 045 M2P D50	1,000	1CAV 1T 2CAR 2T SOFA CDPC	WC		10
	32	198407	RAC CD POLY 045 F2P D50	1,000	1CAV 1T 2CAR 2T SOFA CDPC	WC	11	50
	32	087626	RAC CD POLY 045 M2P D50	1,000	1CAV 1T 2CAR 2T SOFA CDPC	WC	51	
	33	T10B0500090	HOSE SANITATION D50 L 900	1,000		WC		

