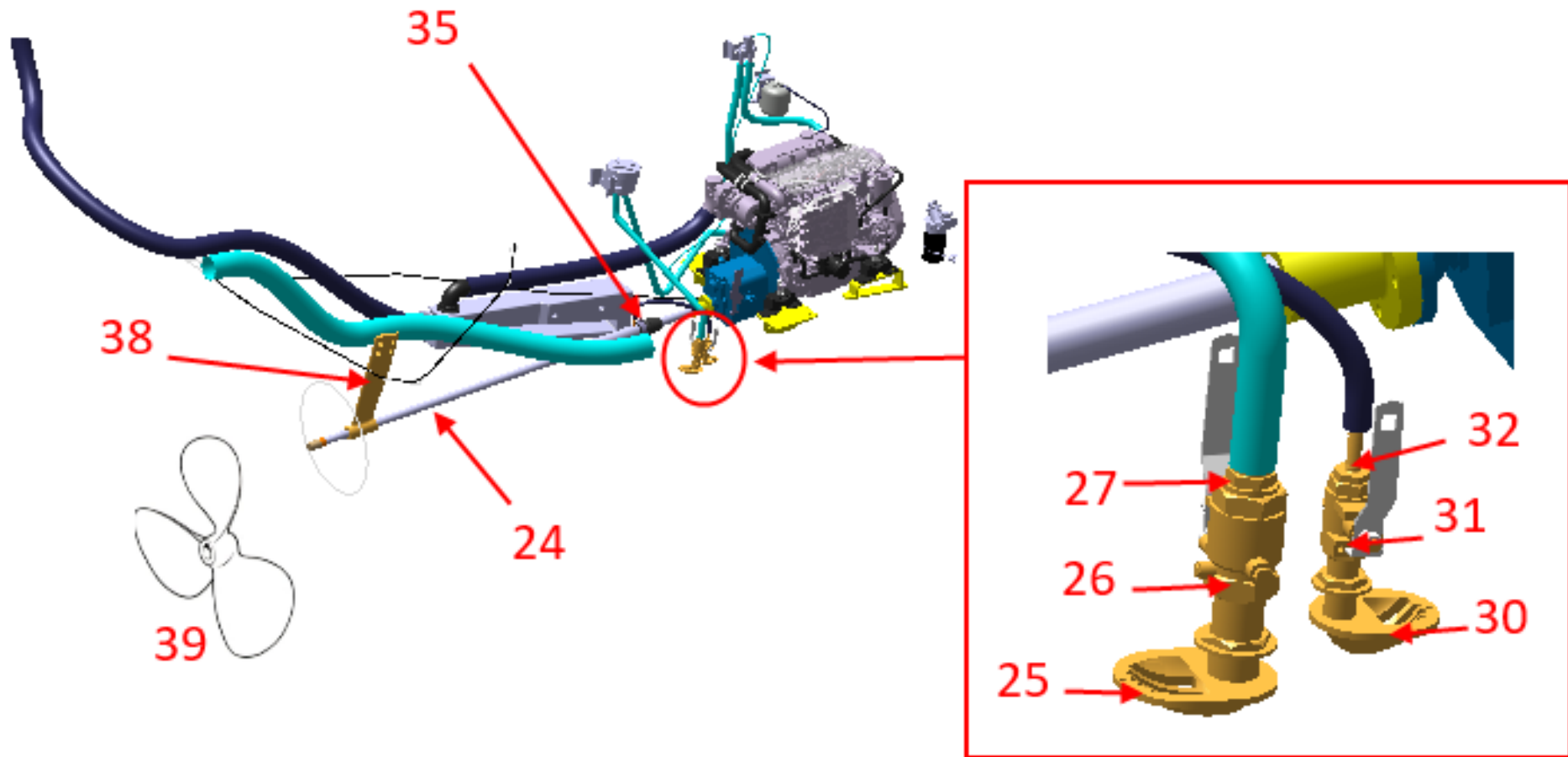


PROPULSION SOUNDPROOFING



PROPULSION SOUNDPROOFING

option	Pos.	Part No.	Description	Quant. per boat	Version / Option	SS_FAM	Beginning hull number	Ending hull number
	1	074192	ETIQ POSITION CDE INVERSEUR	1,000		PROPULSION INSONORISATION		
	2	207757	ENGINE FOAM SET FY5MA COMPANIONWAY COM	1,000		PROPULSION INSONORISATION		
	3	157541	LABEL STD FILTER WATER MOTOR	1,000		PROPULSION INSONORISATION	4	
	4	162287	LABEL STD FILTER CARB MOTOR	1,000		PROPULSION INSONORISATION	4	
	5	201878	LABEL FOR FUEL MANAGEMENT AFT PORT STBD	1,000		PROPULSION INSONORISATION	4	
	6	033523	ENGINE CONTROL LEVER TX	1,000		PROPULSION INSONORISATION	4	
	7	001093	ENGINE CONTROL CABLE L6750	1,000		PROPULSION INSONORISATION		
	8	001092	ENGINE CONTROL CABLE L6500	1,000		PROPULSION INSONORISATION		
	9	210603	PORT PMMA INST PANEL FY5MA STD	2,000		PROPULSION INSONORISATION		
	10	213849	EL WIRE YANMAR JH CAN TO NMEA Y	1,000	YANMAR 4JH80CR SD 59KW(80CV)D	PROPULSION INSONORISATION	24	
	11	211079	ELECT WIRES YANMAR LGTH10000 JH CR Y	1,000	YANMAR 4JH80CR SD 59KW(80CV)D	PROPULSION INSONORISATION	24	38
	11	220491	ELECT WIRES YANMAR LGTH L10000 YAN VC20	1,000	YANMAR 4JH80CR SD 59KW(80CV)D	PROPULSION INSONORISATION	39	
	12	216616	INSTRUMENT PANEL YANMAR CR YD25	1,000	YANMAR 4JH80CR SD 59KW(80CV)D	PROPULSION INSONORISATION	24	
	13	211082	RESIST TERM CR YANMAR	1,000	YANMAR 4JH80CR SD 59KW(80CV)D	PROPULSION INSONORISATION	24	
	14	126066	GALVANIZED INSER CLAMP M10 9 12	10,000	YANMAR 4JH80CR SD 59KW(80CV)D	PROPULSION INSONORISATION		

PROPULSION SOUNDPROOFING

option	Pos.	Part No.	Description	Quant. per boat	Version / Option	SS_FAM	Beginning hull number	Ending hull number
	15	137026	BOX CONTROL MONO PUPIT CR	1,000	YANMAR 4JH80CR SD 59KW(80CV)D	PROPULSION INSONORISATION		3
	16	129914	SUPPORT GRP HULL S2 R9016	1,000	YANMAR 4JH80CR SD 59KW(80CV)D	PROPULSION INSONORISATION		
	17	124230	3-BLADED PROPELLER 20X14 LH SD FOF M20	1,000	YANMAR 4JH80CR SD 59KW(80CV)D	PROPULSION INSONORISATION	4	
	18	213849	EL WIRE YANMAR JH CAN TO NMEA Y	1,000	YANMAR 4JH110CR 81KW(110 CV)D	PROPULSION INSONORISATION	4	
	19	211079	ELECT WIRES YANMAR LGTH10000 JH CR Y	1,000	YANMAR 4JH110CR 81KW(110 CV)D	PROPULSION INSONORISATION	4	38
	19	220491	ELECT WIRES YANMAR LGTH L10000 YAN VC20	1,000	YANMAR 4JH110CR 81KW(110 CV)D	PROPULSION INSONORISATION	39	
	20	211083	INSTRUMENT PANEL YANMAR CR B25 Y	1,000	YANMAR 4JH110CR 81KW(110 CV)D	PROPULSION INSONORISATION	4	23
	20	216616	INSTRUMENT PANEL YANMAR CR YD25	1,000	YANMAR 4JH110CR 81KW(110 CV)D	PROPULSION INSONORISATION	24	
	21	211082	RESIST TERM CR YANMAR	1,000	YANMAR 4JH110CR 81KW(110 CV)D	PROPULSION INSONORISATION	4	
	22	193176	ENGINE SUPPORT SQUARE LA110 OC5SB	2,000	YANMAR 4JH110CR 81KW(110 CV)D	PROPULSION INSONORISATION		

PROPULSION SOUNDPROOFING

option	Pos.	Part No.	Description	Quant. per boat	Version / Option	SS_FAM	Beginning hull number	Ending hull number
	23	193178	ENGINE SUPPORT WEDGE LA110 OC5SB	2,000	YANMAR 4JH110CR 81KW(110 CV)D	PROPULSION INSONORISATION		
	24	180399	EQUIP PROPELLER SHAFT D35 ZF L2045	1,000	YANMAR 4JH110CR 81KW(110 CV)D	PROPULSION INSONORISATION		
	25	163016	THRU HULL STRAINER BRZ 1P	1,000	YANMAR 4JH110CR 81KW(110 CV)D	PROPULSION INSONORISATION		
	26	163024	VALVE 2W 1 4T BRZ FF 1P	1,000	YANMAR 4JH110CR 81KW(110 CV)D	PROPULSION INSONORISATION		
	27	160070	CANNELED CONNECTOR PLUG M1P D25 BRZ	1,000	YANMAR 4JH110CR 81KW(110 CV)D	PROPULSION INSONORISATION		
	28	157537	LABEL STD ASPIRATION WATER MOTOR	1,000	YANMAR 4JH110CR 81KW(110 CV)D	PROPULSION INSONORISATION		
	29	157535	LABEL STD RIGID SUPPORT	2,000	YANMAR 4JH110CR 81KW(110 CV)D	PROPULSION INSONORISATION		
	30	163014	THRU HULL STRAINER BRZ 1_2P	1,000	YANMAR 4JH110CR 81KW(110 CV)D	PROPULSION INSONORISATION		59
	30	163015	THRU HULL STRAINER BRZ 3_4P	1,000	YANMAR 4JH110CR 81KW(110 CV)D	PROPULSION INSONORISATION	60	
	31	163022	VALVE 2W 1 4T BRZ FF 1_2P	1,000	YANMAR 4JH110CR 81KW(110 CV)D	PROPULSION INSONORISATION		59

PROPULSION SOUNDPROOFING

option	Pos.	Part No.	Description	Quant. per boat	Version / Option	SS_FAM	Begining hull number	Ending hull number
	31	163023	VALVE 2W 1 4T BRZ FF 3_4P	1,000	YANMAR 4JH110CR 81KW(110 CV)D	PROPULSION INSONORISATION	60	
	32	160071	CANNELED CONNECTOR PLUG M1_2P D10 BRZ	1,000	YANMAR 4JH110CR 81KW(110 CV)D	PROPULSION INSONORISATION		
	33	T35B0100070	FUEL LINE FILLING TANK D 10 L 700	1,000	YANMAR 4JH110CR 81KW(110 CV)D	PROPULSION INSONORISATION		
	34	157540	STD LABEL STUFFING BOX SEAWATER INTAKE	1,000	YANMAR 4JH110CR 81KW(110 CV)D	PROPULSION INSONORISATION		
	35	718960	STUFFING BOX VOLVO D35	1,000	YANMAR 4JH110CR 81KW(110 CV)D	PROPULSION INSONORISATION		
	36	181975	EL WIRES OC5SA	1,000	YANMAR 4JH110CR 81KW(110 CV)D	PROPULSION INSONORISATION		10
	37	954713	SMALL BRACKET TERMINAL	1,000	YANMAR 4JH110CR 81KW(110 CV)D	PROPULSION INSONORISATION		
	38	105932	KIT*CHAISE STRAT. D35	1,000	YANMAR 4JH110CR 81KW(110 CV)D	PROPULSION INSONORISATION		
	39	089741	FOLDING PROPELLER 20X14 RH35 FOF	1,000	YANMAR 4JH110CR 81KW(110 CV)D	PROPULSION INSONORISATION		
	40	071662	STERN TUBE 35X60X260+P EPOXY	1,000	YANMAR 4JH110CR 81KW(110 CV)D	PROPULSION INSONORISATION		