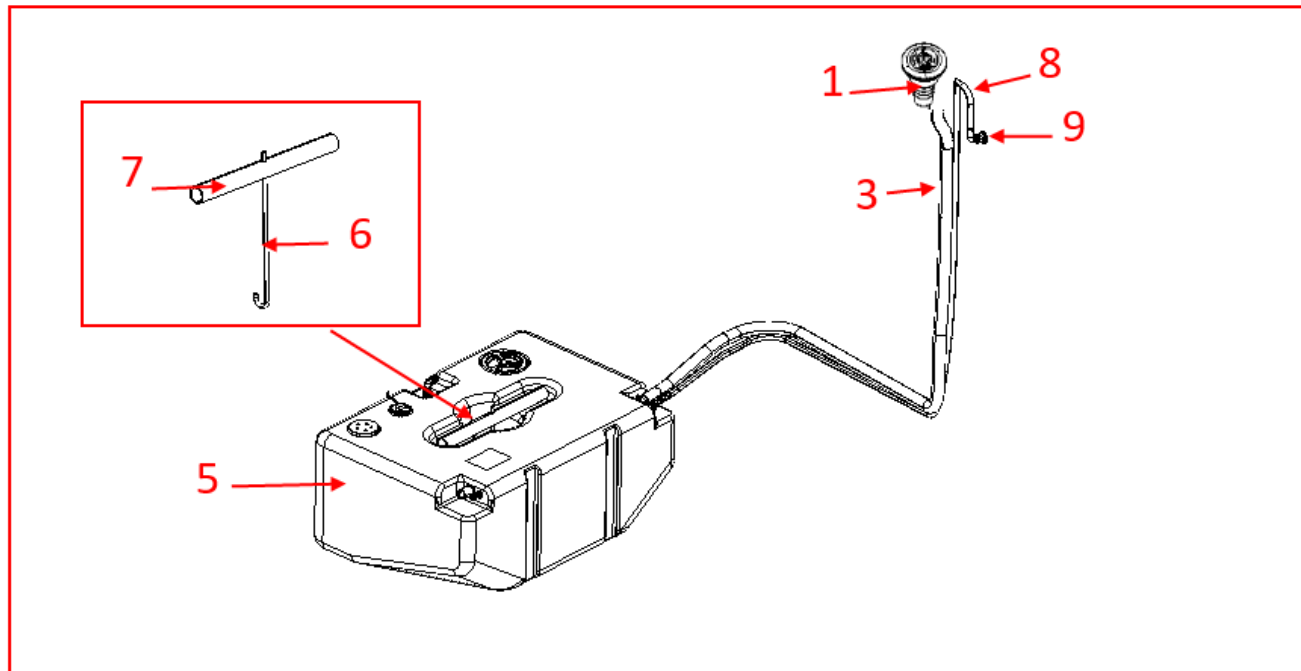
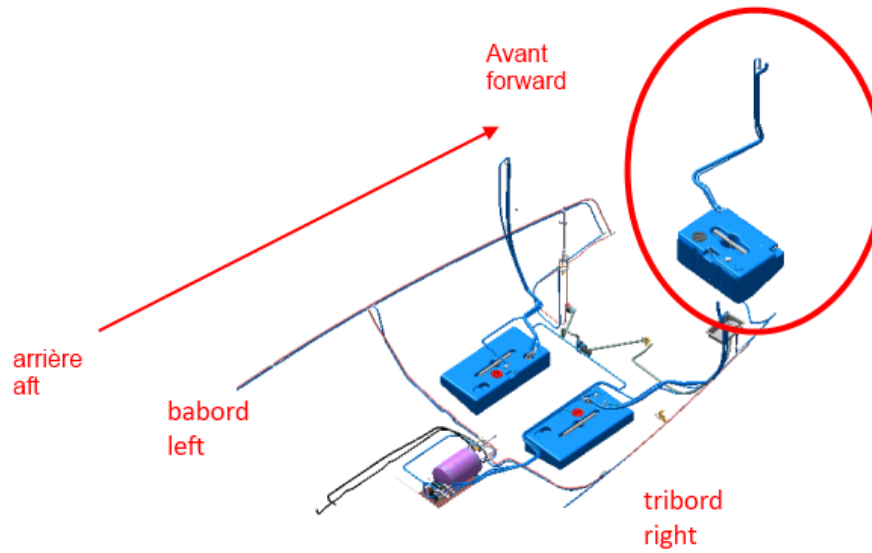
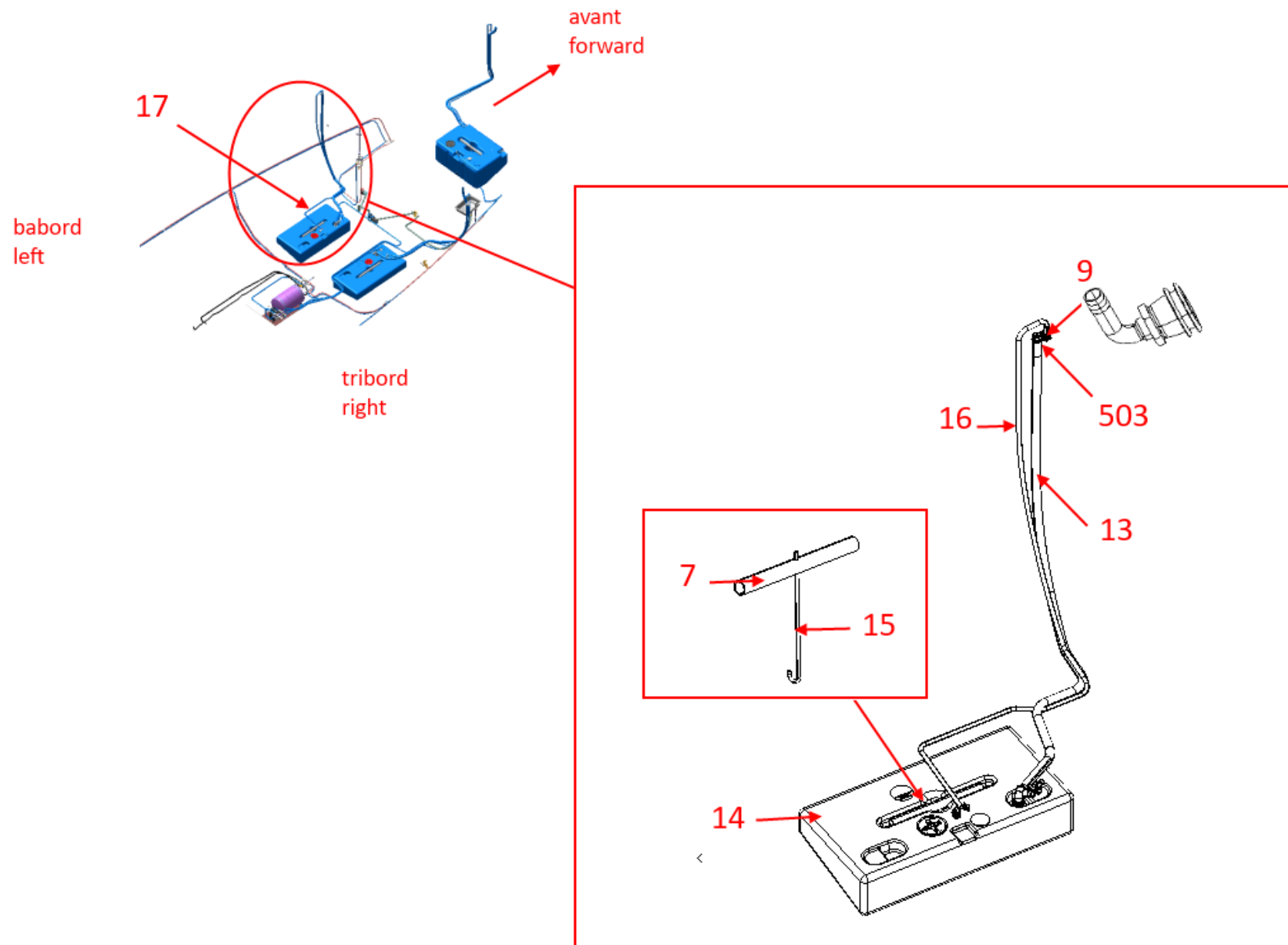


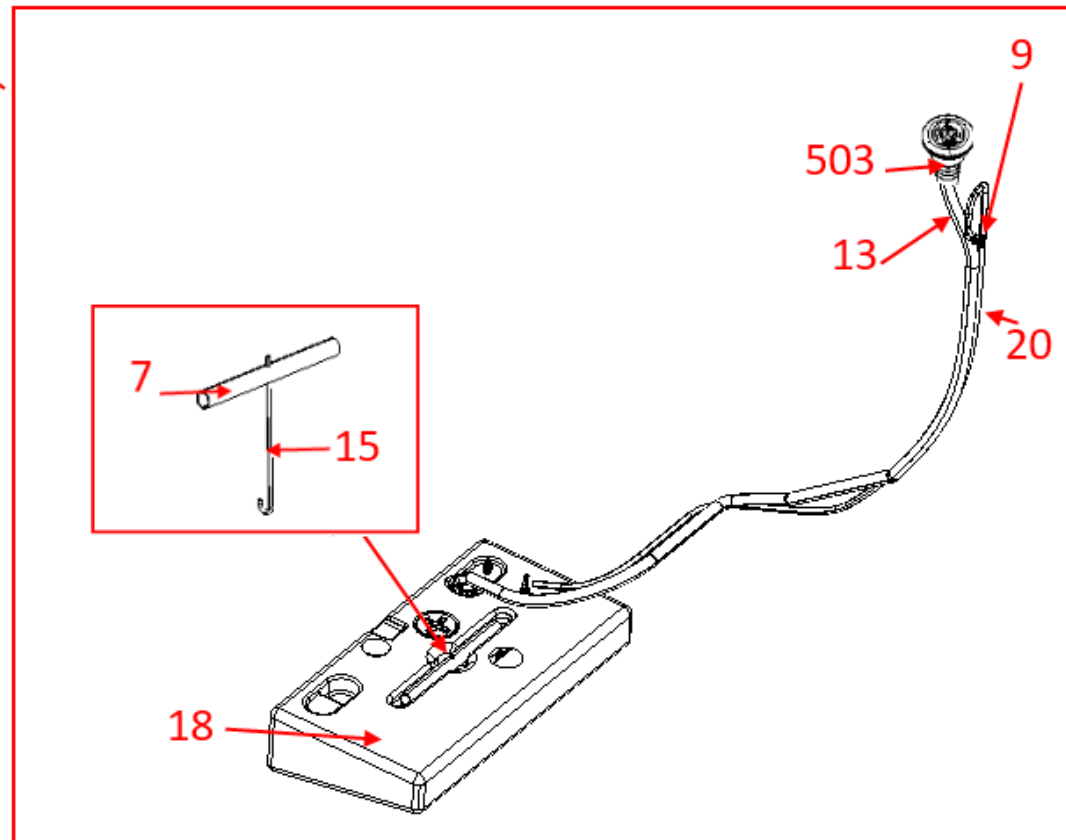
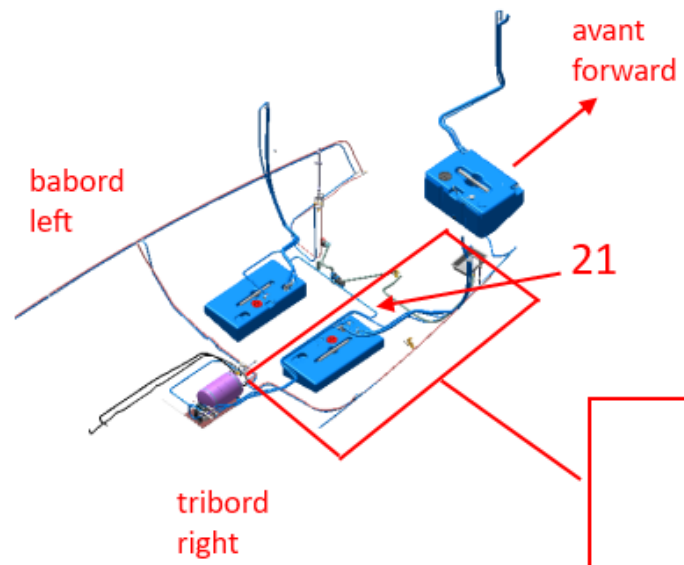
INTERNAL WATER SYSTEM



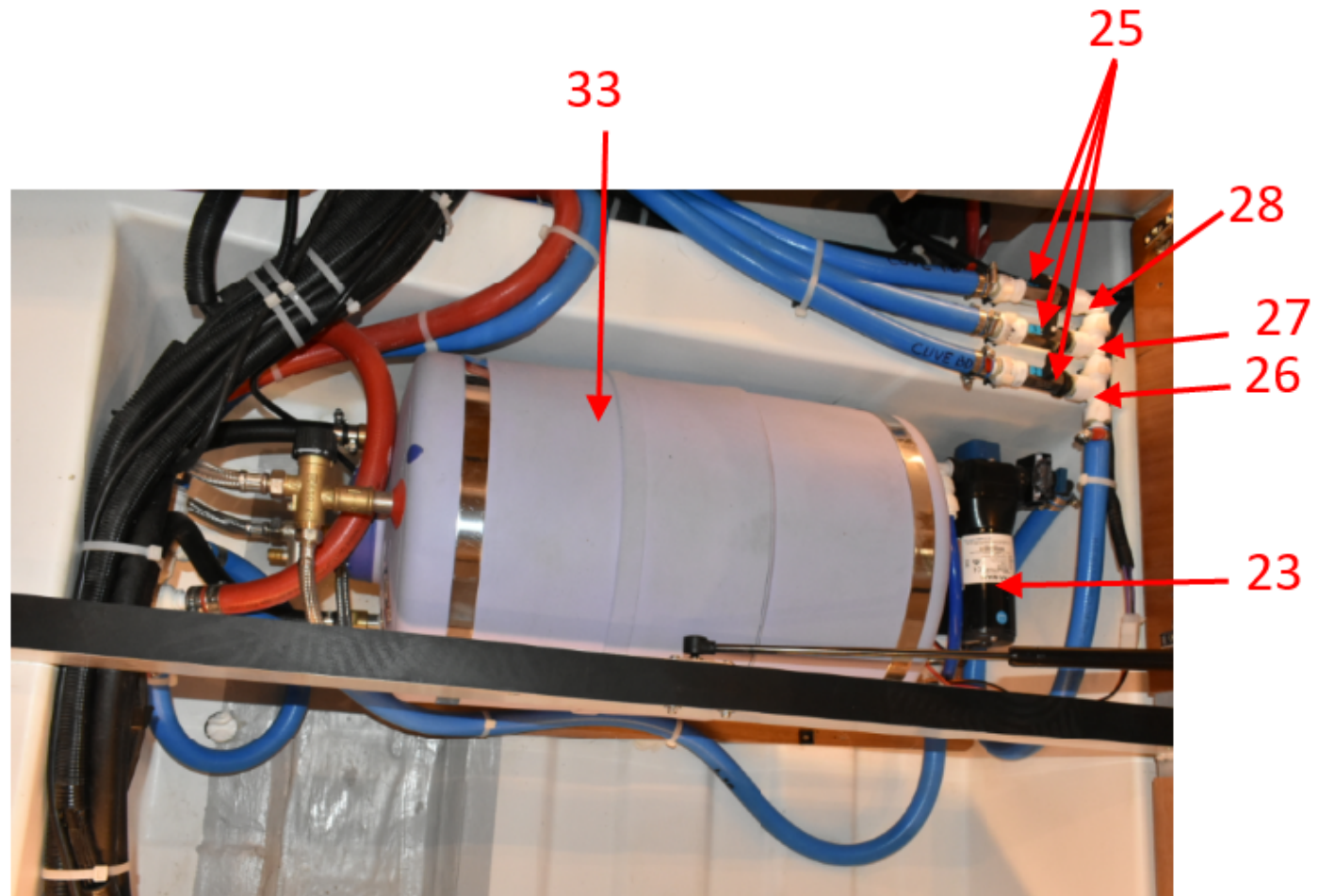
INTERNAL WATER SYSTEM



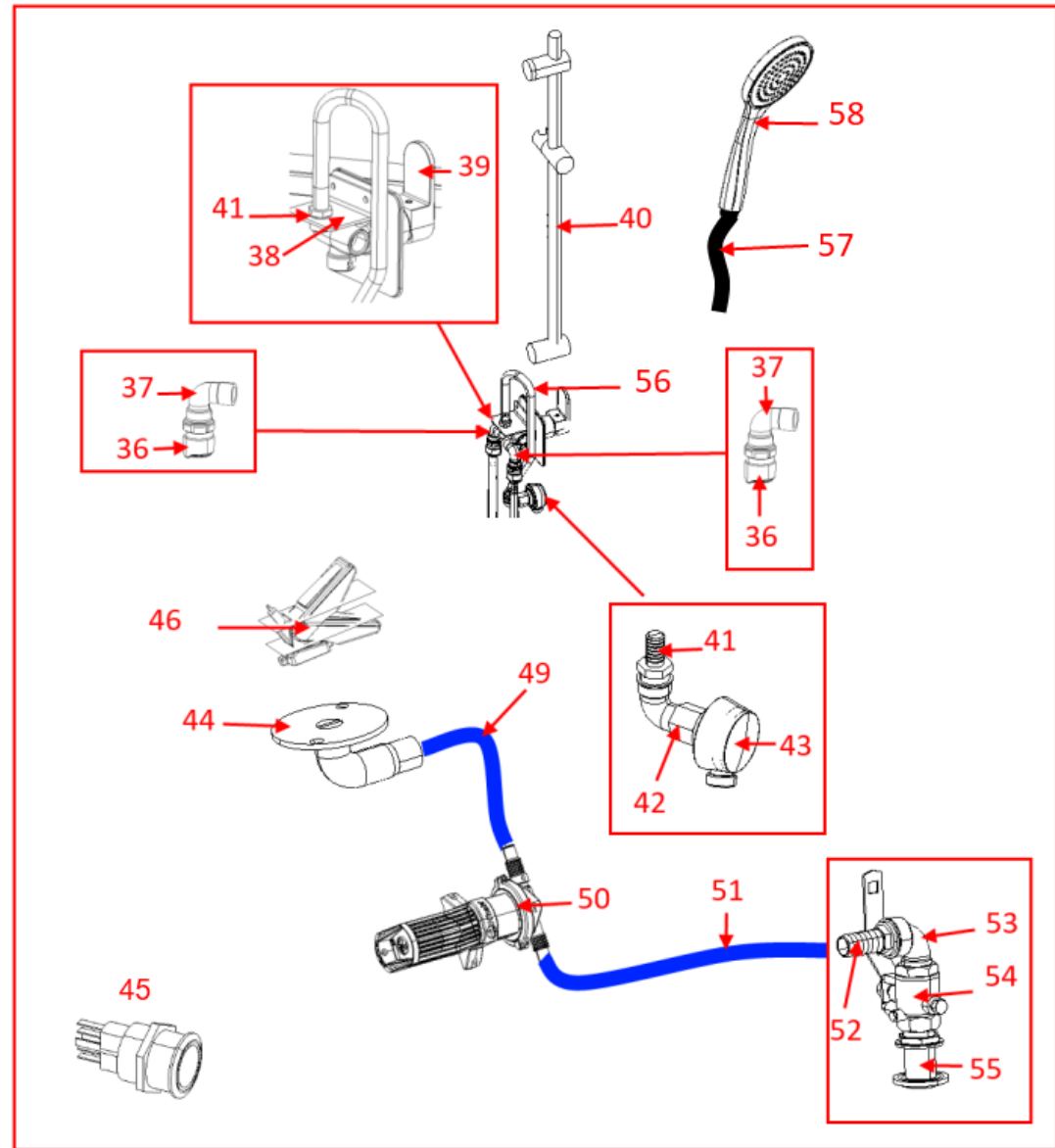
INTERNAL WATER SYSTEM



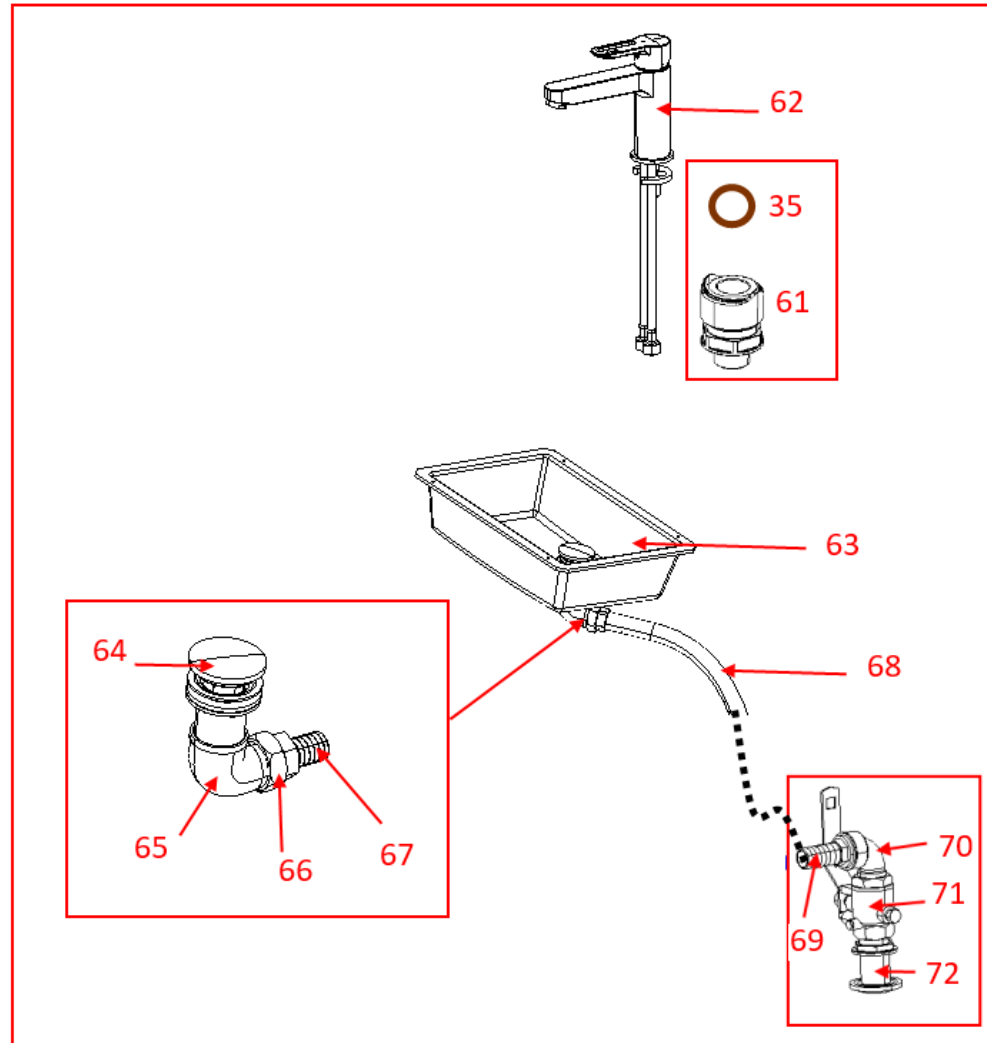
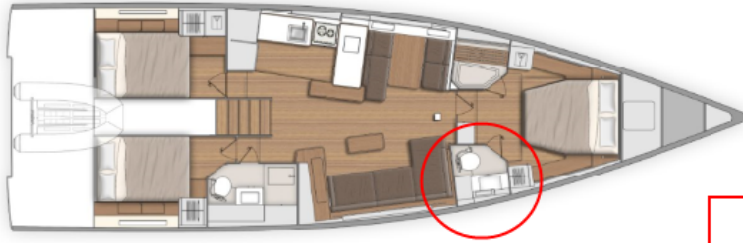
INTERNAL WATER SYSTEM



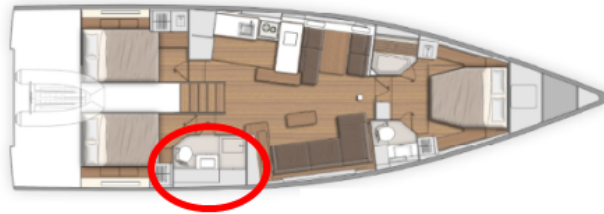
INTERNAL WATER SYSTEM



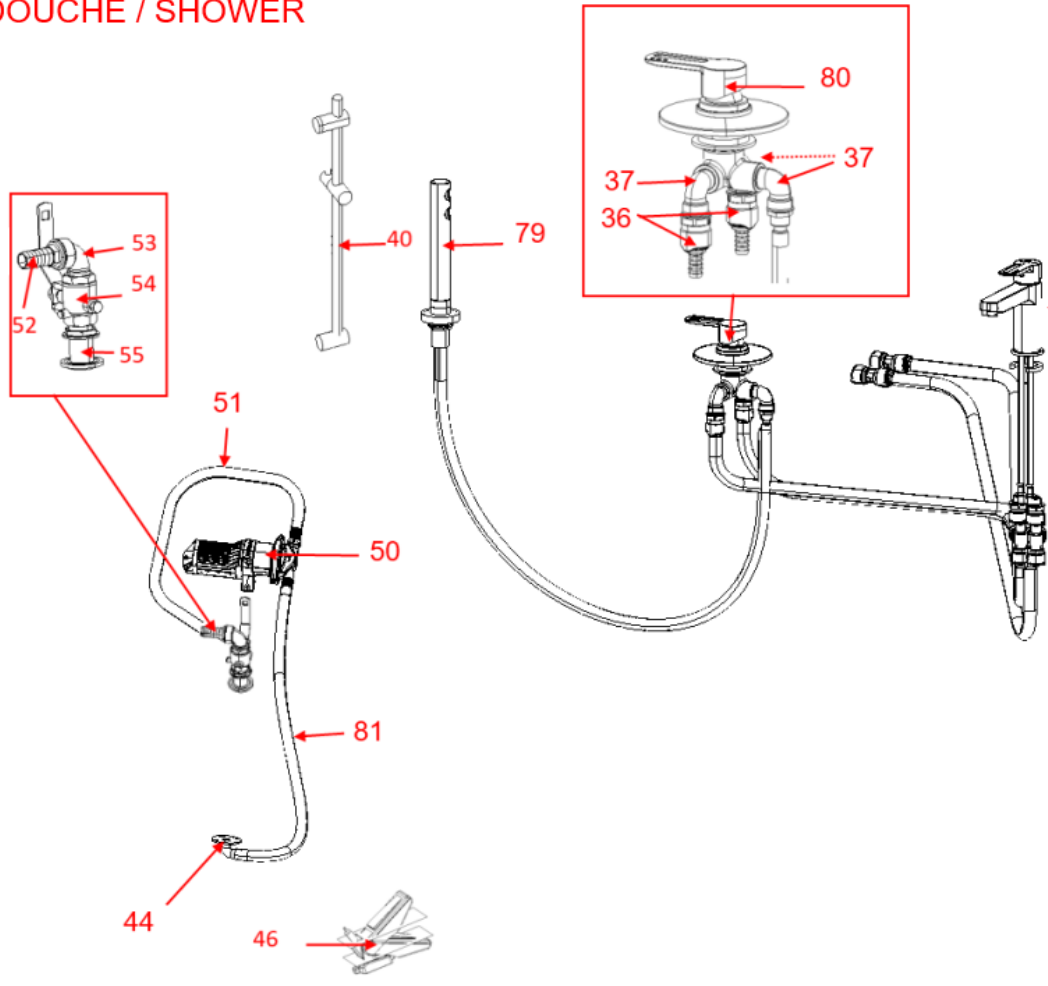
INTERNAL WATER SYSTEM



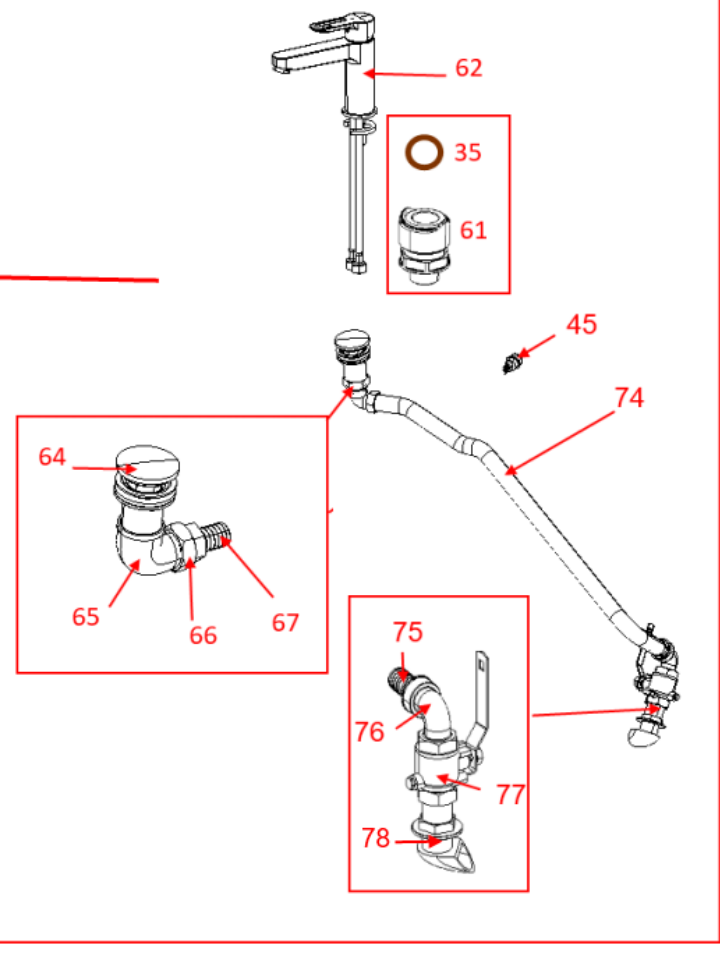
INTERNAL WATER SYSTEM



DOUCHE / SHOWER

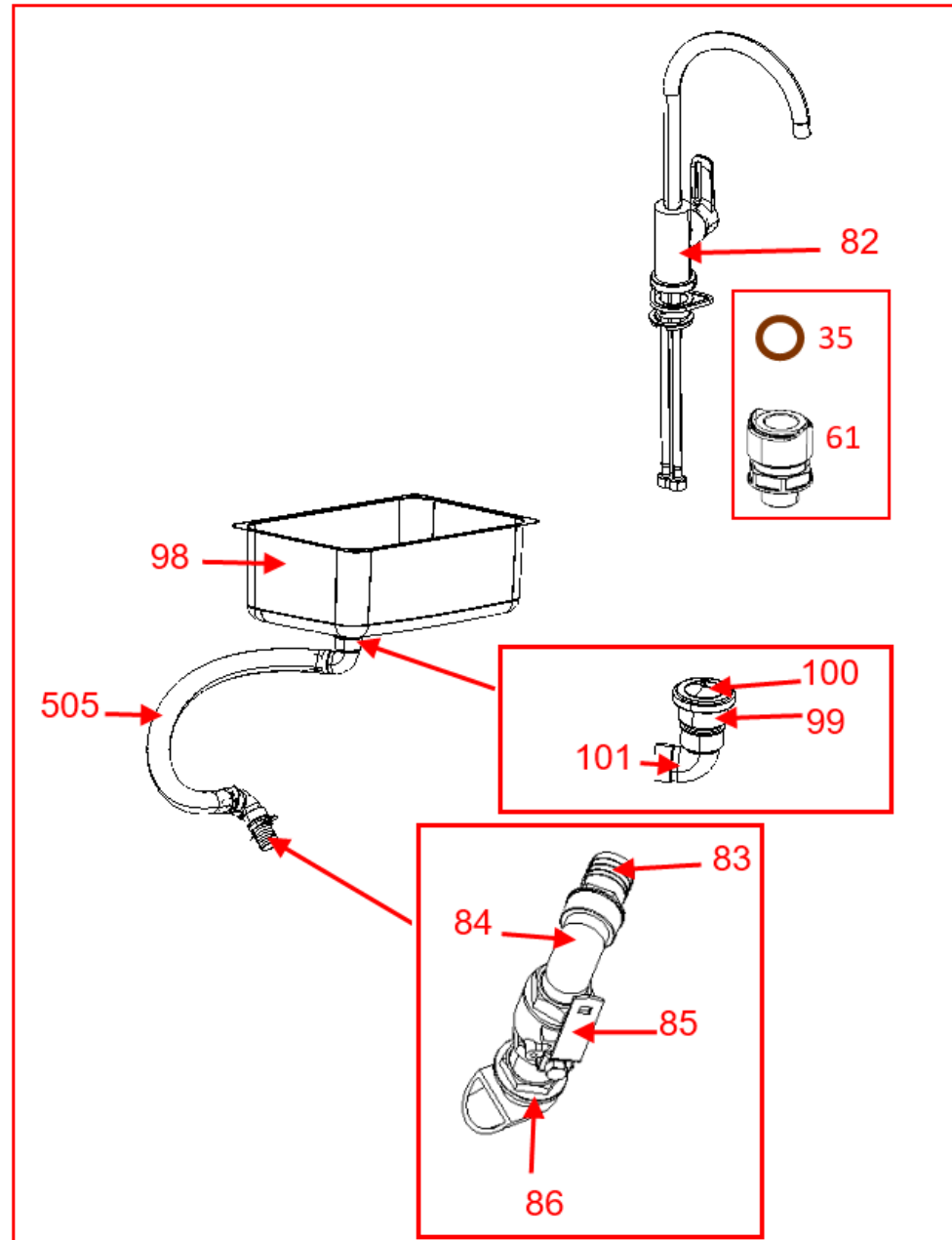


LAVABO / WASH BASIN

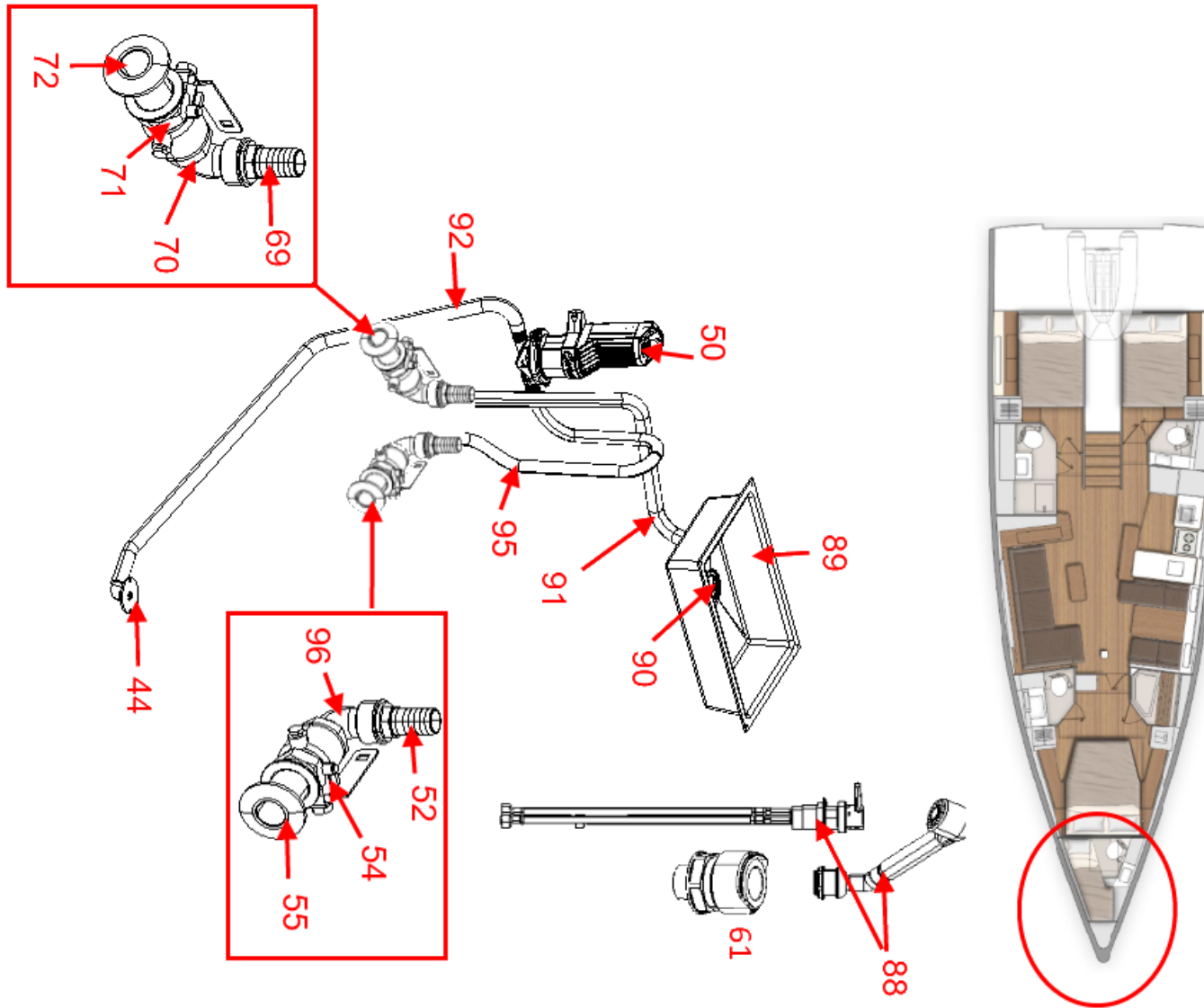


INTERNAL WATER SYSTEM

GRANDE CUISINE
BIG KITCHEN

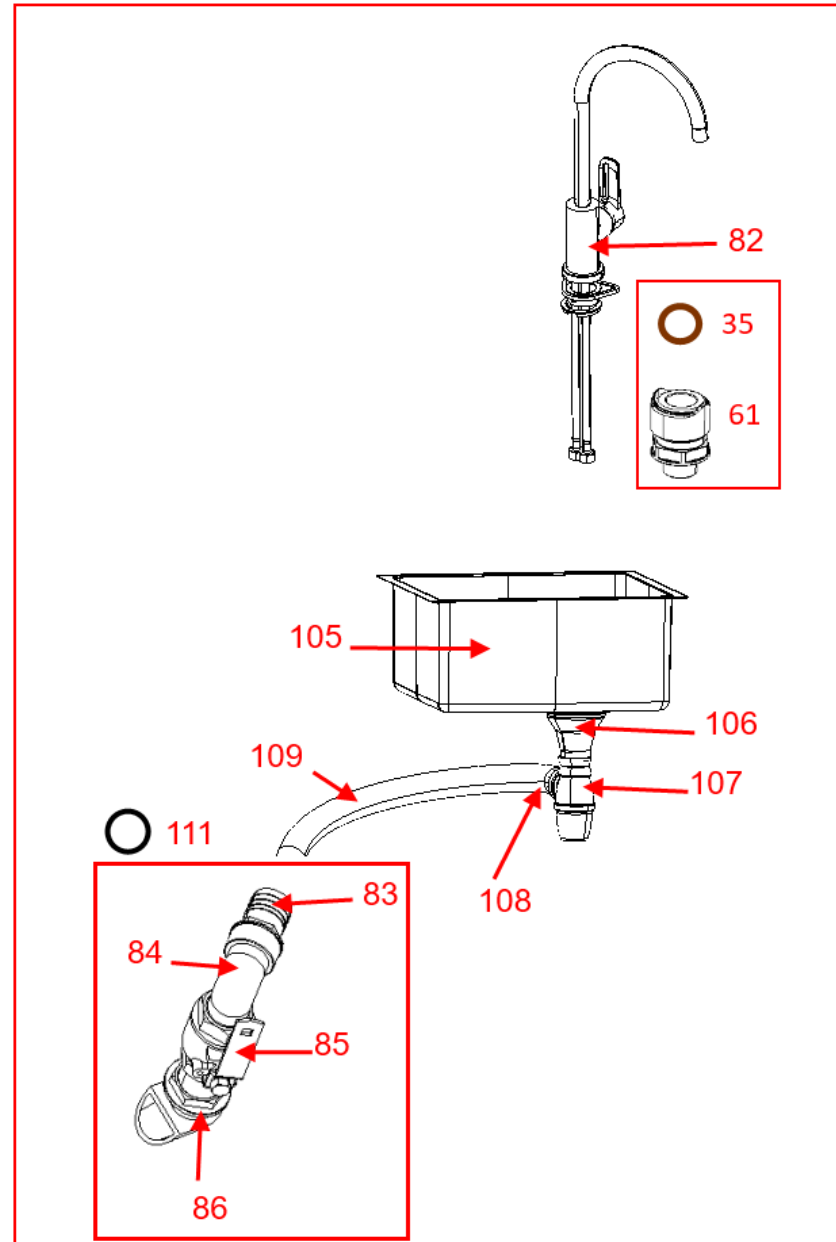


INTERNAL WATER SYSTEM

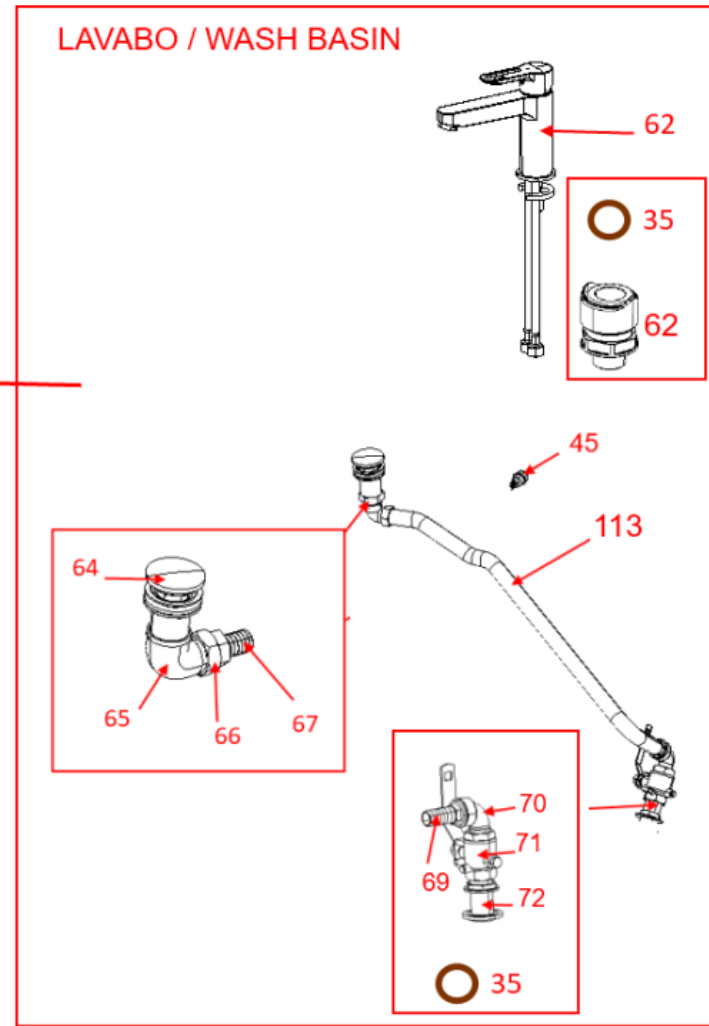
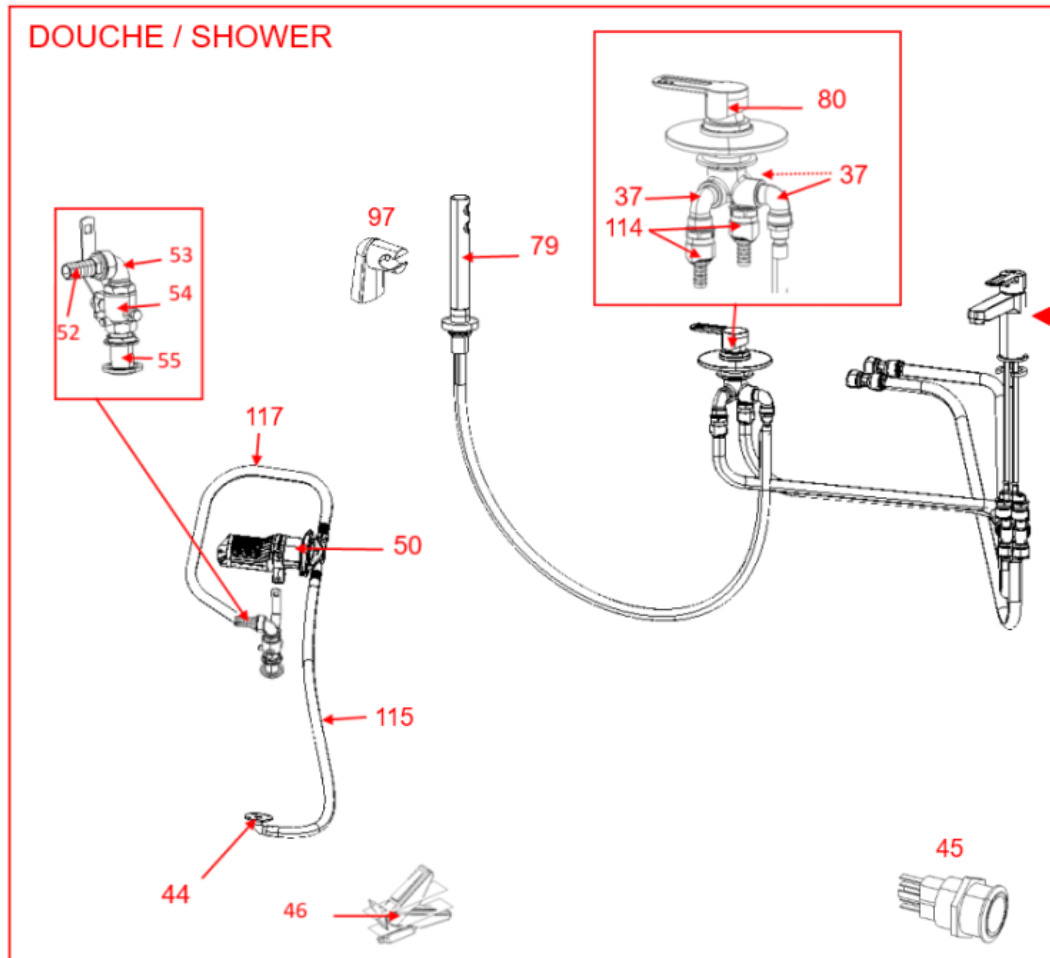


INTERNAL WATER SYSTEM

PETITE CUISINE
LITTLE KITCHEN



INTERNAL WATER SYSTEM



INTERNAL WATER SYSTEM

option	Pos.	Part No.	Description	Quant. per boat	Version / Option	SS_FAM	Begining hull number	Ending hull number
	1	182760	PLASTIC S S DECK FILLER FOR WATER N1	1,000		CIRCUIT EAU INT		9
	2	218159	PLASTIC S S DECK FILLER FOR WATER N2	1,000		CIRCUIT EAU INT	10	
	3	T25B0380340	TUYAU EAU MER D 38 L3400	1,000		CIRCUIT EAU INT		8
	3	T25B0380290	TUYAU EAU MER D 38 L2900	1,000		CIRCUIT EAU INT	9	
	5	140420	WATER TANK ROTO 380L GAUGE WEMA GRAVITY	1,000		CIRCUIT EAU INT		
	6	185378	TANK TIE ROD LGTH 450 140MM D12	1,000		CIRCUIT EAU INT		
	7	902878	ALU TUBE D50X5 L 550+HOLE D12	1,000		CIRCUIT EAU INT		
	7	902878	ALU TUBE D50X5 L 550+HOLE D12	2,000		CIRCUIT EAU INT		58
	7	237292	ALU TUBE D50X5 L 620 HOLE D12	2,000		CIRCUIT EAU INT	59	
	8	T25B0160350	HOSE SEA WATER D 16 L 3500	1,000		CIRCUIT EAU INT		
	9	148018	S/S VENT FITTED NM	3,000		CIRCUIT EAU INT		
	10	077585	GROOVED END-PIECE M15 -D19M	6,000		CIRCUIT EAU INT		
	11	T20B0190780	HOSE FW D19X31 BLUE L 7800	1,000		CIRCUIT EAU INT		
	12	157553	LABEL STD FRESHWATER TANK	3,000		CIRCUIT EAU INT		
	13	T25B0380340	TUYAU EAU MER D 38 L3400	2,000		CIRCUIT EAU INT		
	14	205306	WATER TANK ROTO 150L GGE WEMA STBD	1,000		CIRCUIT EAU INT		
	15	019363	TANK TIE ROD L240 THREADED 140MM	2,000		CIRCUIT EAU INT		
	16	T25B0160480	HOSE SEA WATER D 16 L 4800	1,000		CIRCUIT EAU INT		
	17	T20B0190570	HOSE FW D19X31 BLUE L 5700	1,000		CIRCUIT EAU INT		
	18	205305	WATER TANK ROTO 150L GGE WEMA PT	1,000		CIRCUIT EAU INT		3
	18	213743	WATER TANK ROTO 150L GGE FY5MA BD	1,000		CIRCUIT EAU INT	4	
	20	T25B0160450	HOSE SEA WATER D 16 L 4500	1,000		CIRCUIT EAU INT		
	21	T20B0190290	HOSE FW D19X31 BLUE L 2900	1,000		CIRCUIT EAU INT		
	22	207945	FRESH WATER HARNESS FY5MA C H COM	1,000		CIRCUIT EAU INT		

INTERNAL WATER SYSTEM

option	Pos.	Part No.	Description	Quant. per boat	Version / Option	SS_FAM	Beginning hull number	Ending hull number
	23	173015	WATER SET 12V 18_5L 3_5B IT V NM	1,000		CIRCUIT EAU INT		
	24	T20B0190090	HOSE FW D19X31 BLUE L 0900	1,000		CIRCUIT EAU INT		
	25	207780	WHALE TAP 1 4TURN MF D.15 N2	3,000		CIRCUIT EAU INT		
	26	990559	JOIN T FAST	1,000		CIRCUIT EAU INT		
	27	200087	CONN T D15F D15F D15F	1,000		CIRCUIT EAU INT		
	28	990322	QUICK.CON 90° D15	1,000		CIRCUIT EAU INT		
	29	122173	ETIQ POSITION THANK WATER FOIL	1,000		CIRCUIT EAU INT		
	30	788300	S S DOMED WASHER DIA 5	4,000		CIRCUIT EAU INT		
	31	T34B0160250	HOSE RAW WATER 5 8 L 2500	2,000		CIRCUIT EAU INT		12
	31	T34B0160080	HOSE RAW WATER 5 8 L 800	1,000		CIRCUIT EAU INT	14	
	33	130678	WATER HEATER 220V 40L STD 2011	1,000		CIRCUIT EAU INT		
	34	154333	LABEL STD 230V 50HZ SYMBOL	1,000		CIRCUIT EAU INT		
	35	535300	JOINT OF FIBER 15X21	12,000		CIRCUIT EAU INT		
	35	535300	JOINT OF FIBER 15X21	4,000	1CAV 1T 2CAR 2T SOFA TKPC	CIRCUIT EAU INT		
	35	535300	JOINT OF FIBER 15X21	4,000	1CAV 1T 2CAR 2T SOFA CDPC	CIRCUIT EAU INT		
	36	200088	QUICK CON STR M1-2P D15F	4,000		CIRCUIT EAU INT		
	36	200088	QUICK CON STR M1-2P D15F	2,000	1CAV 1T 2CAR 2T SOFA TKPC	CIRCUIT EAU INT		
	36	200088	QUICK CON STR M1-2P D15F	2,000	1CAV 1T 2CAR 2T SOFA CDPC	CIRCUIT EAU INT		
	37	186384	ELBOW 90 MF 1_2P BRZ STDG	6,000		CIRCUIT EAU INT		

INTERNAL WATER SYSTEM

option	Pos.	Part No.	Description	Quant. per boat	Version / Option	SS_FAM	Beginning hull number	Ending hull number
	37	186384	ELBOW 90 MF 1_2P BRZ STDG	3,000	1CAV 1T 2CAR 2T SOFA TKPC	CIRCUIT EAU INT		
	37	186384	ELBOW 90 MF 1_2P BRZ STDG	3,000	1CAV 1T 2CAR 2T SOFA CDPC	CIRCUIT EAU INT		
	38	159570	SUPPORT FOR SHOWER MIXING MC4XA NM	1,000		CIRCUIT EAU INT		
	39	149602	MIXING TAP SHOWER	1,000		CIRCUIT EAU INT		
	40	092961	SHOWER ROD HOLDER CEDEO-092862	2,000		CIRCUIT EAU INT		
	41	021142	STRAIGHT BRASS CONN M15X21 D12	2,000		CIRCUIT EAU INT		
	42	577200	BRASS STRAIGHT COUPLING FF 15X21	1,000		CIRCUIT EAU INT		
	43	145368	WATER INTAKE + SHOWER NOBILI	1,000		CIRCUIT EAU INT		
	44	148729	SHOWER DRAIN D20X70 BENT NM	2,000		CIRCUIT EAU INT		
	44	148729	SHOWER DRAIN D20X70 BENT NM	1,000	CABINE D'ETRAVE TK PC	CIRCUIT EAU INT		
	44	148729	SHOWER DRAIN D20X70 BENT NM	1,000	CABINE D'ETRAVE CD3	CIRCUIT EAU INT		
	44	148729	SHOWER DRAIN D20X70 BENT NM	1,000	1CAV 1T 2CAR 2T SOFA TKPC	CIRCUIT EAU INT		
	44	148729	SHOWER DRAIN D20X70 BENT NM	1,000	1CAV 1T 2CAR 2T SOFA CDPC	CIRCUIT EAU INT		
	45	182730	SWITCH WIRELESS WATERPROOF WHITE 12V NR	2,000		CIRCUIT EAU INT		
	45	182730	SWITCH WIRELESS WATERPROOF WHITE 12V NR	1,000	CABINE D'ETRAVE TK PC	CIRCUIT EAU INT		

INTERNAL WATER SYSTEM

option	Pos.	Part No.	Description	Quant. per boat	Version / Option	SS_FAM	Beginning hull number	Ending hull number
	45	182730	SWITCH WIRELESS WATERPROOF WHITE 12V NR	1,000	CABINE D'ETRAVE CD3	CIRCUIT EAU INT		
	45	182730	SWITCH WIRELESS WATERPROOF WHITE 12V NR	1,000	1CAV 1T 2CAR 2T SOFA TKPC	CIRCUIT EAU INT		
	45	182730	SWITCH WIRELESS WATERPROOF WHITE 12V NR	1,000	1CAV 1T 2CAR 2T SOFA CDPC	CIRCUIT EAU INT		
	46	955328	DECLENCHEUR AUTO A CONTACT	2,000		CIRCUIT EAU INT		28
	46	219952	DECLENCHEUR AUTO A CONTACT N2	2,000		CIRCUIT EAU INT	29	
	46	955328	DECLENCHEUR AUTO A CONTACT	1,000	1CAV 1T 2CAR 2T SOFA TKPC	CIRCUIT EAU INT		28
	46	219952	DECLENCHEUR AUTO A CONTACT N2	1,000	1CAV 1T 2CAR 2T SOFA TKPC	CIRCUIT EAU INT	29	
	46	955328	DECLENCHEUR AUTO A CONTACT	1,000	1CAV 1T 2CAR 2T SOFA CDPC	CIRCUIT EAU INT		28
	46	219952	DECLENCHEUR AUTO A CONTACT N2	1,000	1CAV 1T 2CAR 2T SOFA CDPC	CIRCUIT EAU INT	29	
	47	355260	SPACER TUBE FOR FRIGO COIL 15X5X12 V1	4,000		CIRCUIT EAU INT		
	48	640900	CHROMED BRASS THRU DECK FITTING DIA 6	2,000		CIRCUIT EAU INT		
	48	640900	CHROMED BRASS THRU DECK FITTING DIA 6	1,000	1CAV 1T 2CAR 2T SOFA TKPC	CIRCUIT EAU INT		

INTERNAL WATER SYSTEM

option	Pos.	Part No.	Description	Quant. per boat	Version / Option	SS_FAM	Begining hull number	Ending hull number
	48	640900	CHROMED BRASS THRU DECK FITTING DIA 6	1,000	1CAV 1T 2CAR 2T SOFA CDPC	CIRCUIT EAU INT		
	49	T22B0200080	TUYAU EAU GRIS D 20 L 800	1,000		CIRCUIT EAU INT		
	50	149468	SHOWER PUMP 12V 20L NM	2,000		CIRCUIT EAU INT		
	50	149468	SHOWER PUMP 12V 20L NM	1,000	CABINE D'ETRAVE TK PC	CIRCUIT EAU INT		
	50	149468	SHOWER PUMP 12V 20L NM	1,000	CABINE D'ETRAVE CD3	CIRCUIT EAU INT		
	50	149468	SHOWER PUMP 12V 20L NM	1,000	1CAV 1T 2CAR 2T SOFA TKPC	CIRCUIT EAU INT		
	50	149468	SHOWER PUMP 12V 20L NM	1,000	1CAV 1T 2CAR 2T SOFA CDPC	CIRCUIT EAU INT		
	51	T22B0200100	GREY WATER PIPE D20 L1000	2,000		CIRCUIT EAU INT		
	52	160056	CANNELED CONNECTOR PLUG M3_4P D20 BRZ	2,000		CIRCUIT EAU INT		
	52	160056	CANNELED CONNECTOR PLUG M3_4P D20 BRZ	1,000	CABINE D'ETRAVE TK PC	CIRCUIT EAU INT		
	52	160056	CANNELED CONNECTOR PLUG M3_4P D20 BRZ	1,000	CABINE D'ETRAVE CD3	CIRCUIT EAU INT		
	52	160056	CANNELED CONNECTOR PLUG M3_4P D20 BRZ	1,000	1CAV 1T 2CAR 2T SOFA TKPC	CIRCUIT EAU INT		
	52	160056	CANNELED CONNECTOR PLUG M3_4P D20 BRZ	1,000	1CAV 1T 2CAR 2T SOFA CDPC	CIRCUIT EAU INT		

INTERNAL WATER SYSTEM

option	Pos.	Part No.	Description	Quant. per boat	Version / Option	SS_FAM	Beginning hull number	Ending hull number
	53	186383	ELBOW 90 MF 3_4P BRZ STDG	2,000		CIRCUIT EAU INT		
	53	186383	ELBOW 90 MF 3_4P BRZ STDG	1,000	1CAV 1T 2CAR 2T SOFA TKPC	CIRCUIT EAU INT		
	53	186383	ELBOW 90 MF 3_4P BRZ STDG	1,000	1CAV 1T 2CAR 2T SOFA CDPC	CIRCUIT EAU INT		
	54	163023	VALVE 2W 1 4T BRZ FF 3_4P	2,000		CIRCUIT EAU INT		
	54	163023	VALVE 2W 1 4T BRZ FF 3_4P	1,000	CABINE D'ETRAVE TK PC	CIRCUIT EAU INT		
	54	163023	VALVE 2W 1 4T BRZ FF 3_4P	1,000	CABINE D'ETRAVE CD3	CIRCUIT EAU INT		
	54	163023	VALVE 2W 1 4T BRZ FF 3_4P	1,000	1CAV 1T 2CAR 2T SOFA TKPC	CIRCUIT EAU INT		
	54	163023	VALVE 2W 1 4T BRZ FF 3_4P	1,000	1CAV 1T 2CAR 2T SOFA CDPC	CIRCUIT EAU INT		
	55	163561	THRU HULL BRZ 3_4P	2,000		CIRCUIT EAU INT		
	55	163561	THRU HULL BRZ 3_4P	1,000	CABINE D'ETRAVE TK PC	CIRCUIT EAU INT		
	55	163561	THRU HULL BRZ 3_4P	1,000	CABINE D'ETRAVE CD3	CIRCUIT EAU INT		
	55	163561	THRU HULL BRZ 3_4P	1,000	1CAV 1T 2CAR 2T SOFA TKPC	CIRCUIT EAU INT		

INTERNAL WATER SYSTEM

option	Pos.	Part No.	Description	Quant. per boat	Version / Option	SS_FAM	Beginning hull number	Ending hull number
	55	163561	THRU HULL BRZ 3_4P	1,000	1CAV 1T 2CAR 2T SOFA CDPC	CIRCUIT EAU INT		
	56	T21B0120050	CRISTAL HOSE 12X20 RED L 500	1,000		CIRCUIT EAU INT		
	57	154880	L1500 SMOOTH SHOWER HOSE STDG	1,000		CIRCUIT EAU INT		
	58	158847	SHOWER HEAD NOBILI	1,000		CIRCUIT EAU INT		
	59	157548	LABEL STD REJETED SHOWER	2,000		CIRCUIT EAU INT		
	59	157548	LABEL STD REJETED SHOWER	1,000	1CAV 1T 2CAR 2T SOFA TKPC	CIRCUIT EAU INT		
	59	157548	LABEL STD REJETED SHOWER	1,000	1CAV 1T 2CAR 2T SOFA CDPC	CIRCUIT EAU INT		
	60	157549	LABEL STD REJETED SINK	3,000		CIRCUIT EAU INT		
	60	157549	LABEL STD REJETED SINK	1,000	CABINE D'ETRAVE TK PC	CIRCUIT EAU INT		
	60	157549	LABEL STD REJETED SINK	1,000	CABINE D'ETRAVE CD3	CIRCUIT EAU INT		
	60	157549	LABEL STD REJETED SINK	1,000	1CAV 1T 2CAR 2T SOFA TKPC	CIRCUIT EAU INT		
	60	157549	LABEL STD REJETED SINK	1,000	1CAV 1T 2CAR 2T SOFA CDPC	CIRCUIT EAU INT		
	61	990498	QUICK CON STR M3-8P D15F	6,000		CIRCUIT EAU INT		
	61	990498	QUICK CON STR M3-8P D15F	2,000	CABINE D'ETRAVE TK PC	CIRCUIT EAU INT		

INTERNAL WATER SYSTEM

option	Pos.	Part No.	Description	Quant. per boat	Version / Option	SS_FAM	Beginning hull number	Ending hull number
	61	990498	QUICK CON STR M3-8P D15F	2,000	CABINE D'ETRAVE CD3	CIRCUIT EAU INT		
	62	160465	WASH BASIN MIX TAP ROAD FIXED STDG	2,000		CIRCUIT EAU INT		
	62	160465	WASH BASIN MIX TAP ROAD FIXED STDG	1,000	1CAV 1T 2CAR 2T SOFA TKPC	CIRCUIT EAU INT		
	62	160465	WASH BASIN MIX TAP ROAD FIXED STDG	1,000	1CAV 1T 2CAR 2T SOFA CDPC	CIRCUIT EAU INT		
	63	210796	WASH BASIN GRP FY5MA RAL9016	1,000		CIRCUIT EAU INT		
	64	075866	PLUG WASHBASIN AUTO WIRQUIN 33X42	2,000		CIRCUIT EAU INT		
	64	075866	PLUG WASHBASIN AUTO WIRQUIN 33X42	1,000	1CAV 1T 2CAR 2T SOFA TKPC	CIRCUIT EAU INT		
	65	738900	BRASS COUPLING 90 ELBOW MF 33X42	2,000		CIRCUIT EAU INT		
	65	186381	ELBOW 90 MF 1P1_4 BRZ STDG	2,000		CIRCUIT EAU INT		
	65	738900	BRASS COUPLING 90 ELBOW MF 33X42	1,000	1CAV 1T 2CAR 2T SOFA TKPC	CIRCUIT EAU INT		
	65	186381	ELBOW 90 MF 1P1_4 BRZ STDG	1,000	1CAV 1T 2CAR 2T SOFA TKPC	CIRCUIT EAU INT		
	65	738900	BRASS COUPLING 90 ELBOW MF 33X42	1,000	1CAV 1T 2CAR 2T SOFA CDPC	CIRCUIT EAU INT		
	65	186381	ELBOW 90 MF 1P1_4 BRZ STDG	1,000	1CAV 1T 2CAR 2T SOFA CDPC	CIRCUIT EAU INT		

INTERNAL WATER SYSTEM

option	Pos.	Part No.	Description	Quant. per boat	Version / Option	SS_FAM	Beginning hull number	Ending hull number
	66	006653	BRASS STRAIGHT COUPLING MF 26X34-33X42	2,000		CIRCUIT EAU INT		
	66	256373	BRASS STRAIGHT COUPLING MF 26X34-33X42NM	2,000		CIRCUIT EAU INT		
	66	006653	BRASS STRAIGHT COUPLING MF 26X34-33X42	1,000	1CAV 1T 2CAR 2T SOFA TKPC	CIRCUIT EAU INT		
	66	256373	BRASS STRAIGHT COUPLING MF 26X34-33X42NM	1,000	1CAV 1T 2CAR 2T SOFA TKPC	CIRCUIT EAU INT		
	66	006653	BRASS STRAIGHT COUPLING MF 26X34-33X42	1,000	1CAV 1T 2CAR 2T SOFA CDPC	CIRCUIT EAU INT		
	66	256373	BRASS STRAIGHT COUPLING MF 26X34-33X42NM	1,000	1CAV 1T 2CAR 2T SOFA CDPC	CIRCUIT EAU INT		
	67	171378	BRASS STR GROOVED END-PIECE F1P MOB D25	2,000		CIRCUIT EAU INT		
	67	171378	BRASS STR GROOVED END-PIECE F1P MOB D25	1,000	1CAV 1T 2CAR 2T SOFA TKPC	CIRCUIT EAU INT		
	67	171378	BRASS STR GROOVED END-PIECE F1P MOB D25	1,000	1CAV 1T 2CAR 2T SOFA CDPC	CIRCUIT EAU INT		
	68	T22B0250250	HOSE 25 L 2500 WATER STDG	1,000		CIRCUIT EAU INT		
	69	160070	CANNELED CONNECTOR PLUG M1P D25 BRZ	1,000		CIRCUIT EAU INT		
	69	160070	CANNELED CONNECTOR PLUG M1P D25 BRZ	1,000	CABINE D'ETRAVE TK PC	CIRCUIT EAU INT		

INTERNAL WATER SYSTEM

option	Pos.	Part No.	Description	Quant. per boat	Version / Option	SS_FAM	Beginning hull number	Ending hull number
	69	160070	CANNELED CONNECTOR PLUG M1P D25 BRZ	1,000	CABINE D'ETRAVE CD3	CIRCUIT EAU INT		
	69	160070	CANNELED CONNECTOR PLUG M1P D25 BRZ	1,000	1CAV 1T 2CAR 2T SOFA TKPC	CIRCUIT EAU INT		
	69	160070	CANNELED CONNECTOR PLUG M1P D25 BRZ	1,000	1CAV 1T 2CAR 2T SOFA CDPC	CIRCUIT EAU INT		
	70	186382	ELBOW 90 MF 1P BRZ STDG	1,000		CIRCUIT EAU INT		
	70	186382	ELBOW 90 MF 1P BRZ STDG	1,000	CABINE D'ETRAVE TK PC	CIRCUIT EAU INT		
	70	186382	ELBOW 90 MF 1P BRZ STDG	1,000	CABINE D'ETRAVE CD3	CIRCUIT EAU INT		
	70	186382	ELBOW 90 MF 1P BRZ STDG	1,000	1CAV 1T 2CAR 2T SOFA TKPC	CIRCUIT EAU INT		
	70	186382	ELBOW 90 MF 1P BRZ STDG	1,000	1CAV 1T 2CAR 2T SOFA CDPC	CIRCUIT EAU INT		
	71	163024	VALVE 2W 1 4T BRZ FF 1P	1,000		CIRCUIT EAU INT		
	71	163024	VALVE 2W 1 4T BRZ FF 1P	1,000	CABINE D'ETRAVE TK PC	CIRCUIT EAU INT		
	71	163024	VALVE 2W 1 4T BRZ FF 1P	1,000	CABINE D'ETRAVE CD3	CIRCUIT EAU INT		
	71	163024	VALVE 2W 1 4T BRZ FF 1P	1,000	1CAV 1T 2CAR 2T SOFA TKPC	CIRCUIT EAU INT		

INTERNAL WATER SYSTEM

option	Pos.	Part No.	Description	Quant. per boat	Version / Option	SS_FAM	Beginning hull number	Ending hull number
	71	163024	VALVE 2W 1 4T BRZ FF 1P	1,000	1CAV 1T 2CAR 2T SOFA CDPC	CIRCUIT EAU INT		
	72	163556	THRU HULL BRZ 1P	1,000		CIRCUIT EAU INT		
	72	163556	THRU HULL BRZ 1P	1,000	CABINE D'ETRAVE TK PC	CIRCUIT EAU INT		
	72	163556	THRU HULL BRZ 1P	1,000	CABINE D'ETRAVE CD3	CIRCUIT EAU INT		
	72	163556	THRU HULL BRZ 1P	1,000	1CAV 1T 2CAR 2T SOFA TKPC	CIRCUIT EAU INT		
	72	163556	THRU HULL BRZ 1P	1,000	1CAV 1T 2CAR 2T SOFA CDPC	CIRCUIT EAU INT		
	73	208516	FRESH WATER HARNESS FY5MA CH BATHAFTSTBD	1,000		CIRCUIT EAU INT		
	74	T22B0250110	HOSE 25 L 1100 WATER STDG	1,000		CIRCUIT EAU INT		
	75	160070	CANNELED CONNECTOR PLUG M1P D25 BRZ	1,000		CIRCUIT EAU INT	4	
	76	186382	ELBOW 90 MF 1P BRZ STDG	1,000		CIRCUIT EAU INT	4	
	77	163024	VALVE 2W 1 4T BRZ FF 1P	1,000		CIRCUIT EAU INT	4	
	78	061351	THRU HULL CD90 CAN 25 PLAST	1,000		CIRCUIT EAU INT		3
	78	163556	THRU HULL BRZ 1P	1,000		CIRCUIT EAU INT	4	4
	79	159219	MIXING SCHOWER NOBILI ROAD	1,000		CIRCUIT EAU INT		
	79	159219	MIXING SCHOWER NOBILI ROAD	1,000	1CAV 1T 2CAR 2T SOFA TKPC	CIRCUIT EAU INT		

INTERNAL WATER SYSTEM

option	Pos.	Part No.	Description	Quant. per boat	Version / Option	SS_FAM	Beginning hull number	Ending hull number
	79	159219	MIXING SCHOWER NOBILI ROAD	1,000	1CAV 1T 2CAR 2T SOFA CDPC	CIRCUIT EAU INT		
	80	121450	SHOWER KUSASI NM FLEX 2_00M	1,000		CIRCUIT EAU INT		
	80	121450	SHOWER KUSASI NM FLEX 2_00M	1,000	1CAV 1T 2CAR 2T SOFA TKPC	CIRCUIT EAU INT		
	81	T22B0200110	GREY WATER PIPE D 20 L 1100	1,000		CIRCUIT EAU INT		
	82	160437	MIXING TAP KITCHEN ROND LIVE STDG	1,000		CIRCUIT EAU INT		
	83	160060	CANNELED CONNECTOR PLUG M1P1_4 D40 BRZ	1,000		CIRCUIT EAU INT		
	84	186381	ELBOW 90 MF 1P1_4 BRZ STDG	1,000		CIRCUIT EAU INT		
	85	163025	VALVE 2W 1 4T BRZ FF 1P1_4	1,000		CIRCUIT EAU INT		
	86	163557	THRU HULL BRZ 1P1_4	1,000		CIRCUIT EAU INT		3
	86	180358	THRU HULL 1P1_4 CARENE BRZ	1,000		CIRCUIT EAU INT	4	
	87	208505	FRESH WATER HARNESSFY5MA SKIP CAB SROOM	1,000	CABINE D'ETRAVE TK PC	CIRCUIT EAU INT		
	87	208505	FRESH WATER HARNESSFY5MA SKIP CAB SROOM	1,000	CABINE D'ETRAVE CD3	CIRCUIT EAU INT		
	88	157128	MIXER SINK SHOWER STD G	1,000	CABINE D'ETRAVE TK PC	CIRCUIT EAU INT		
	89	211867	RESIN BOWL GRP SKIPPER CAB FY5MA	1,000	CABINE D'ETRAVE TK PC	CIRCUIT EAU INT		
	89	211867	RESIN BOWL GRP SKIPPER CAB FY5MA	1,000	CABINE D'ETRAVE CD3	CIRCUIT EAU INT		
	90	194009	PLUG GROOVED D25 WASHBASIN SINK	1,000	CABINE D'ETRAVE TK PC	CIRCUIT EAU INT		

INTERNAL WATER SYSTEM

option	Pos.	Part No.	Description	Quant. per boat	Version / Option	SS_FAM	Begining hull number	Ending hull number
	90	194009	PLUG GROOVED D25 WASHBASIN SINK	1,000	CABINE D'ETRAVE CD3	CIRCUIT EAU INT		
	91	T22B0250075	HOSE 25 L 750 WATER STDG	1,000	CABINE D'ETRAVE TK PC	CIRCUIT EAU INT		
	92	T22B0200140	GREY WATER PIPE D 20 L 1400	1,000	CABINE D'ETRAVE TK PC	CIRCUIT EAU INT		
	93	151762	UNIPOLAR BREAKER 10A 12V 1610 H2	1,000	CABINE D'ETRAVE TK PC	CIRCUIT EAU INT		
	93	151762	UNIPOLAR BREAKER 10A 12V 1610 H2	1,000	CABINE D'ETRAVE CD3	CIRCUIT EAU INT		
	94	209828	EL WIRES FY5MA OPT CAB SKIPPER	1,000	CABINE D'ETRAVE TK PC	CIRCUIT EAU INT		
	94	209828	EL WIRES FY5MA OPT CAB SKIPPER	1,000	CABINE D'ETRAVE CD3	CIRCUIT EAU INT		
	95	T22B0200120	GREY WATER PIPE D20 L1200	1,000	CABINE D'ETRAVE TK PC	CIRCUIT EAU INT		
	96	186387	ELBOW 45 MF 3_4P BRZ STDG	1,000	CABINE D'ETRAVE TK PC	CIRCUIT EAU INT		14
	96	186383	ELBOW 90 MF 3_4P BRZ STDG	1,000	CABINE D'ETRAVE TK PC	CIRCUIT EAU INT	15	
	96	186387	ELBOW 45 MF 3_4P BRZ STDG	1,000	CABINE D'ETRAVE CD3	CIRCUIT EAU INT		14
	96	186383	ELBOW 90 MF 3_4P BRZ STDG	1,000	CABINE D'ETRAVE CD3	CIRCUIT EAU INT	15	

INTERNAL WATER SYSTEM

option	Pos.	Part No.	Description	Quant. per boat	Version / Option	SS_FAM	Beginning hull number	Ending hull number
	97	197666	PLASTIC CHROMED SUPPORT SHOWER N3	1,000	CABINE D'ETRAVE TK PC	CIRCUIT EAU INT		
	97	197666	PLASTIC CHROMED SUPPORT SHOWER N3	1,000	CABINE D'ETRAVE CD3	CIRCUIT EAU INT		
	97	197666	PLASTIC CHROMED SUPPORT SHOWER N3	1,000	1CAV 1T 2CAR 2T SOFA TKPC	CIRCUIT EAU INT		
	97	197666	PLASTIC CHROMED SUPPORT SHOWER N3	1,000	1CAV 1T 2CAR 2T SOFA CDPC	CIRCUIT EAU INT		
	98	193341	S S SINK 550X362X204 D57	1,000	1CAV 1T 2CAR 1T SOFA TK PC	CIRCUIT EAU INT		
	98	193341	S S SINK 550X362X204 D57	1,000	1CAV 1T 2CAR 1T SOFA CD PC	CIRCUIT EAU INT		
	99	194010	PLUG GROOVED D50 WASHBASIN SINK 1P1_2	1,000	1CAV 1T 2CAR 1T SOFA TK PC	CIRCUIT EAU INT		
	99	194010	PLUG GROOVED D50 WASHBASIN SINK 1P1_2	1,000	1CAV 1T 2CAR 1T SOFA CD PC	CIRCUIT EAU INT		
	100	203978	PLUG WITHOUT CHAINETTE BUNG	1,000	1CAV 1T 2CAR 1T SOFA TK PC	CIRCUIT EAU INT		
	100	203978	PLUG WITHOUT CHAINETTE BUNG	1,000	1CAV 1T 2CAR 1T SOFA CD PC	CIRCUIT EAU INT		

INTERNAL WATER SYSTEM

option	Pos.	Part No.	Description	Quant. per boat	Version / Option	SS_FAM	Beginning hull number	Ending hull number
	101	186380	ELBOW 90 MF 1P1_2 BRZ STDG	1,000	1CAV 1T 2CAR 1T SOFA TK PC	CIRCUIT EAU INT		
	101	186380	ELBOW 90 MF 1P1_2 BRZ STDG	1,000	1CAV 1T 2CAR 1T SOFA CD PC	CIRCUIT EAU INT		
	102	148625	SINK DRAINING FLEX KIT D40 F 1 1_2	1,000	1CAV 1T 2CAR 1T SOFA TK PC	CIRCUIT EAU INT		14
	102	148625	SINK DRAINING FLEX KIT D40 F 1 1_2	1,000	1CAV 1T 2CAR 1T SOFA CD PC	CIRCUIT EAU INT		14
	103	T22B0400015	TUYAU 40 L 0150 AMORVIN	1,000	1CAV 1T 2CAR 1T SOFA TK PC	CIRCUIT EAU INT		14
	104	071490	BRASS PLUG M15	2,000	1CAV 1T 2CAR 1T SOFA TK PC	CIRCUIT EAU INT		15
	104	071490	BRASS PLUG M15	2,000	1CAV 1T 2CAR 1T SOFA CD PC	CIRCUIT EAU INT		15
	105	193346	S S SINK 440X380X200 D92	1,000	1CAV 1T 2CAR 2T SOFA TKPC	CIRCUIT EAU INT		
	105	193346	S S SINK 440X380X200 D92	1,000	1CAV 1T 2CAR 2T SOFA CDPC	CIRCUIT EAU INT		
	106	075605	PLUG PLASTIC 40X49 LYRA D90	1,000	1CAV 1T 2CAR 2T SOFA TKPC	CIRCUIT EAU INT		49

INTERNAL WATER SYSTEM

option	Pos.	Part No.	Description	Quant. per boat	Version / Option	SS_FAM	Beginning hull number	Ending hull number
	106	225317	PLUG PLASTIC 40X49 WIRQUIN D90	1,000	1CAV 1T 2CAR 2T SOFA TKPC	CIRCUIT EAU INT	50	
	106	225317	PLUG PLASTIC 40X49 WIRQUIN D90	1,000	1CAV 1T 2CAR 2T SOFA CDPC	CIRCUIT EAU INT	50	
	107	188619	PLASTIC COUPLING 90 ELBOW FF 1P1_2	1,000	1CAV 1T 2CAR 2T SOFA TKPC	CIRCUIT EAU INT		6
	107	186380	ELBOW 90 MF 1P1_2 BRZ STDG	1,000	1CAV 1T 2CAR 2T SOFA TKPC	CIRCUIT EAU INT	7	
	107	188619	PLASTIC COUPLING 90 ELBOW FF 1P1_2	1,000	1CAV 1T 2CAR 2T SOFA CDPC	CIRCUIT EAU INT		6
	107	186380	ELBOW 90 MF 1P1_2 BRZ STDG	1,000	1CAV 1T 2CAR 2T SOFA CDPC	CIRCUIT EAU INT	7	
	108	188522	PLASTIC ELBOW F1 P1_2 D40	1,000	1CAV 1T 2CAR 2T SOFA TKPC	CIRCUIT EAU INT		6
	108	171579	BRASS STR GROOVED END-PIEC F1 1/2MOB D40	1,000	1CAV 1T 2CAR 2T SOFA TKPC	CIRCUIT EAU INT	7	
	108	188522	PLASTIC ELBOW F1 P1_2 D40	1,000	1CAV 1T 2CAR 2T SOFA CDPC	CIRCUIT EAU INT		6
	108	171579	BRASS STR GROOVED END-PIEC F1 1/2MOB D40	1,000	1CAV 1T 2CAR 2T SOFA CDPC	CIRCUIT EAU INT	7	

INTERNAL WATER SYSTEM

option	Pos.	Part No.	Description	Quant. per boat	Version / Option	SS_FAM	Beginning hull number	Ending hull number
	109	T22B0400060	TUYAU 40 L 0600 AMORVIN	1,000	1CAV 1T 2CAR 2T SOFA TKPC	CIRCUIT EAU INT		6
	109	T22B0400070	HOSE D40 L 700 SPIR GRY	1,000	1CAV 1T 2CAR 2T SOFA TKPC	CIRCUIT EAU INT	7	
	111	900818	FIBER GASKET 40X49	1,000	1CAV 1T 2CAR 2T SOFA TKPC	CIRCUIT EAU INT	7	
	111	900818	FIBER GASKET 40X49	1,000	1CAV 1T 2CAR 2T SOFA CDPC	CIRCUIT EAU INT	7	
	112	208515	FRESH WATER HARNESS FY5MA CH BATHAFTPORT	1,000	1CAV 1T 2CAR 2T SOFA TKPC	CIRCUIT EAU INT		
	112	208515	FRESH WATER HARNESS FY5MA CH BATHAFTPORT	1,000	1CAV 1T 2CAR 2T SOFA CDPC	CIRCUIT EAU INT		
	113	T22B0250120	HOSE 25 L 1200 WATER STDG	1,000	1CAV 1T 2CAR 2T SOFA TKPC	CIRCUIT EAU INT		
	114	200088	QUICK CON STR M1-2P D15F	2,000	1CAV 1T 2CAR 2T SOFA TKPC	CIRCUIT EAU INT		9
	114	990498	QUICK CON STR M3-8P D15F	2,000	1CAV 1T 2CAR 2T SOFA TKPC	CIRCUIT EAU INT	10	
	114	200088	QUICK CON STR M1-2P D15F	2,000	1CAV 1T 2CAR 2T SOFA CDPC	CIRCUIT EAU INT		9

INTERNAL WATER SYSTEM

option	Pos.	Part No.	Description	Quant. per boat	Version / Option	SS_FAM	Beginning hull number	Ending hull number
	114	990498	QUICK CON STR M3-8P D15F	2,000	1CAV 1T 2CAR 2T SOFA CDPC	CIRCUIT EAU INT	10	
	115	T22B0200320	TUYAU EAU GRIS D 20 L3200	1,000	1CAV 1T 2CAR 2T SOFA TKPC	CIRCUIT EAU INT		
	116	209807	EL WIRE FY5MA AFT PORT SHOW ROOM FY5MA	1,000	1CAV 1T 2CAR 2T SOFA TKPC	CIRCUIT EAU INT		15
	116	209807	EL WIRE FY5MA AFT PORT SHOW ROOM FY5MA	1,000	1CAV 1T 2CAR 2T SOFA TKPC	CIRCUIT EAU INT	16	
	116	209807	EL WIRE FY5MA AFT PORT SHOW ROOM FY5MA	1,000	1CAV 1T 2CAR 2T SOFA CDPC	CIRCUIT EAU INT		15
	116	209807	EL WIRE FY5MA AFT PORT SHOW ROOM FY5MA	1,000	1CAV 1T 2CAR 2T SOFA CDPC	CIRCUIT EAU INT	16	
	117	T22B0200260	TUYAU EAU GRIS D 20 L2600	1,000	1CAV 1T 2CAR 2T SOFA TKPC	CIRCUIT EAU INT		
	503	182760	PLASTIC S S DECK FILLER FOR WATER N1	2,000		CIRCUIT EAU INT		9
	503	218159	PLASTIC S S DECK FILLER FOR WATER N2	2,000		CIRCUIT EAU INT	10	
	504	149565	PLUG EL SINGLE CAB FRANCE PLEXO	1,000		CIRCUIT EAU INT	12	
	505	T22B0400070	HOSE D40 L 700 SPIR GRY	1,000	1CAV 1T 2CAR 1T SOFA TK PC	CIRCUIT EAU INT	15	