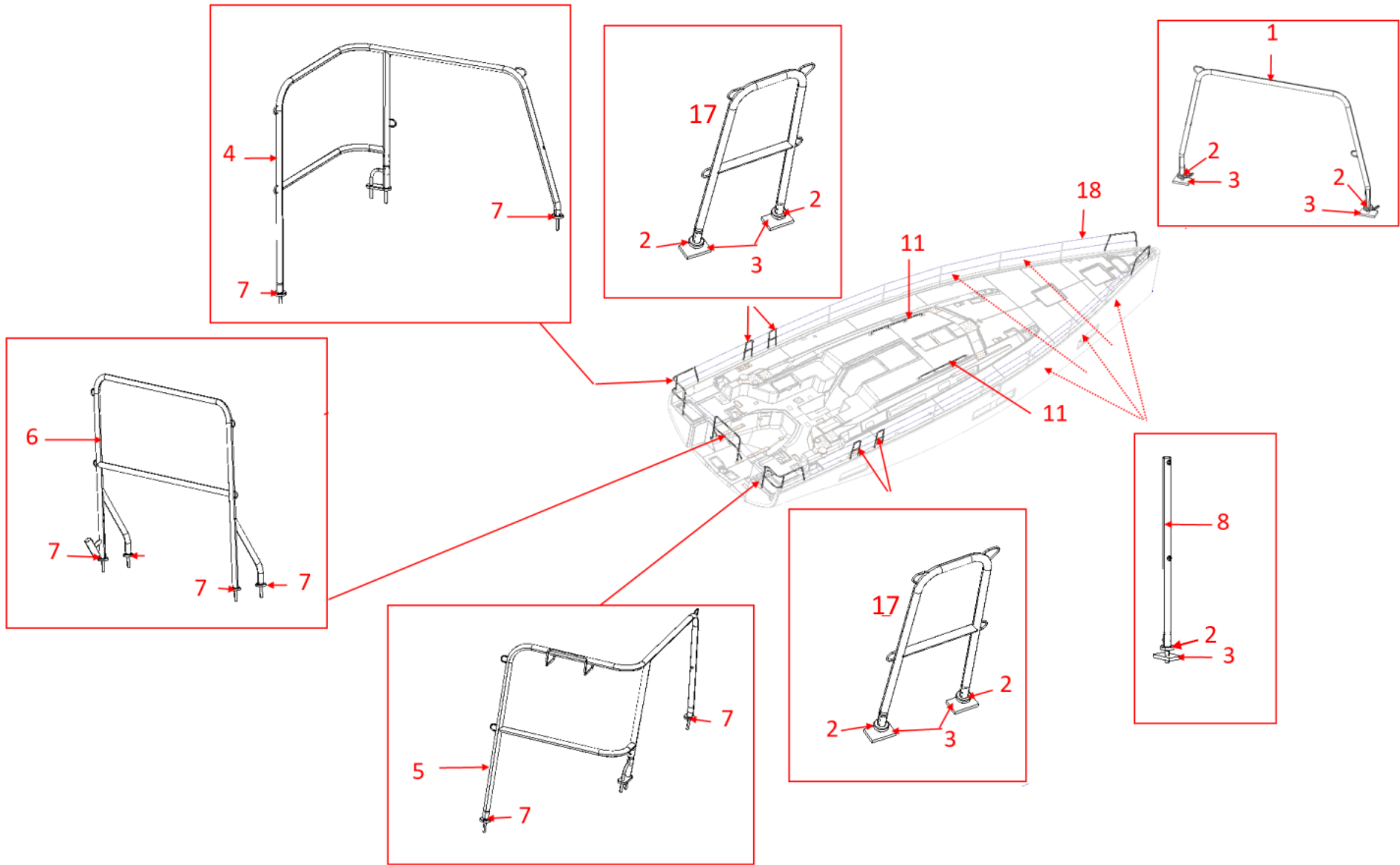


# HUMAN PROTECTION



## HUMAN PROTECTION

| option | Pos. | Part No. | Description                                 | Quant.<br>per boat | Version /<br>Option | SS_FAM             | Begining hull<br>number | Ending hull<br>number |
|--------|------|----------|---|--------------------|---------------------|--------------------|-------------------------|-----------------------|
|        | 1    | 208497   | PULPIT FY5MA FWD BLACK                      | 2,000              |                     | PROTECTION HUMAINE |                         | 20                    |
|        | 1    | 208497   | PULPIT FY5MA FWD BLACK                      | 2,000              |                     | PROTECTION HUMAINE | 21                      |                       |
|        | 2    | 178124   | STANCHION BASE S S D22X44                   | 22,000             |                     | PROTECTION HUMAINE |                         |                       |
|        | 3    | 180672   | S S STIFFEN PLATE 80X50X10 M12              | 22,000             |                     | PROTECTION HUMAINE |                         |                       |
|        | 4    | 209652   | PULPIT FY5MA AFT PORT BLACK                 | 1,000              |                     | PROTECTION HUMAINE |                         | 20                    |
|        | 4    | 209652   | PULPIT FY5MA AFT PORT BLACK                 | 1,000              |                     | PROTECTION HUMAINE | 21                      |                       |
|        | 5    | 209653   | PULPIT FY5MA AFT STBD BLACK                 | 1,000              |                     | PROTECTION HUMAINE |                         | 20                    |
|        | 5    | 209653   | PULPIT FY5MA AFT STBD BLACK                 | 1,000              |                     | PROTECTION HUMAINE | 21                      |                       |
|        | 6    | 209377   | PULPIT FY5MA AFT CENT BLACK                 | 1,000              |                     | PROTECTION HUMAINE |                         | 20                    |
|        | 6    | 209377   | PULPIT FY5MA AFT CENT BLACK                 | 1,000              |                     | PROTECTION HUMAINE | 21                      | 58                    |
|        | 6    | 236612   | PULPIT OY5MA AFT CENTRAL M25 NR             | 1,000              |                     | PROTECTION HUMAINE | 59                      |                       |
|        | 7    | 214006   | S S PLATE SUPPORT BOWRAIL FY5MA             | 8,000              |                     | PROTECTION HUMAINE |                         | 15                    |
|        | 7    | 214006   | S S PLATE SUPPORT BOWRAIL FY5MA             | 8,000              |                     | PROTECTION HUMAINE | 16                      |                       |
|        | 8    | 209546   | BLACK SINGLE STANCHION L605 D22<br>INT 2ETA | 10,000             |                     | PROTECTION HUMAINE |                         | 20                    |
|        | 8    | 209546   | BLACK SINGLE STANCHION L605 D22<br>INT 2ETA | 10,000             |                     | PROTECTION HUMAINE | 21                      |                       |
|        | 9    | 208778   | DOUBLE STANCHION FY5MA BLACK                | 4,000              |                     | PROTECTION HUMAINE |                         | 20                    |
|        | 10   | 209376   | LIFELINES FY5MA TEXTILE                     | 1,000              |                     | PROTECTION HUMAINE |                         | 20                    |
|        | 11   | 208779   | S S HANDRAIL T25 L1795 BLACK                | 2,000              |                     | PROTECTION HUMAINE |                         |                       |
|        | 12   | 026943   | TREADED ROD S S M 8 L58 (A2)                | 8,000              |                     | PROTECTION HUMAINE |                         | 4                     |
|        | 12   | 130671   | TIGE FILETEE IN.A4 M 8X 90                  | 8,000              |                     | PROTECTION HUMAINE | 5                       |                       |
|        | 17   | 208778   | DOUBLE STANCHION FY5MA BLACK                | 4,000              |                     | PROTECTION HUMAINE | 21                      |                       |
|        | 18   | 209376   | LIFELINES FY5MA TEXTILE                     | 1,000              |                     | PROTECTION HUMAINE | 21                      |                       |
|        | 19   | 065794   | BUTTON TH M08 STAR                          | 1,000              |                     | PROTECTION HUMAINE | 24                      | 54                    |
|        |      |          |   |                    |                     |                    |                         |                       |
|        |      |          |   |                    |                     |                    |                         |                       |
|        |      |          |   |                    |                     |                    |                         |                       |
|        |      |          |   |                    |                     |                    |                         |                       |
|        |      |          |   |                    |                     |                    |                         |                       |