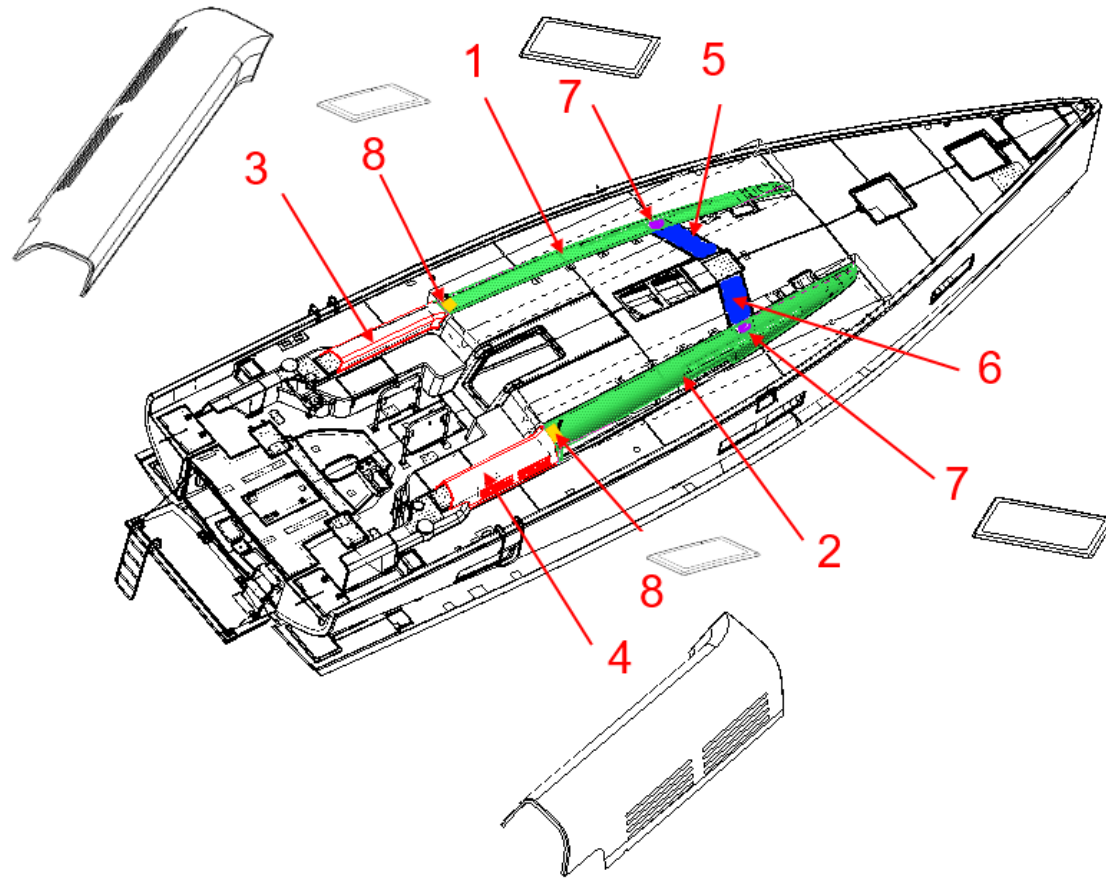
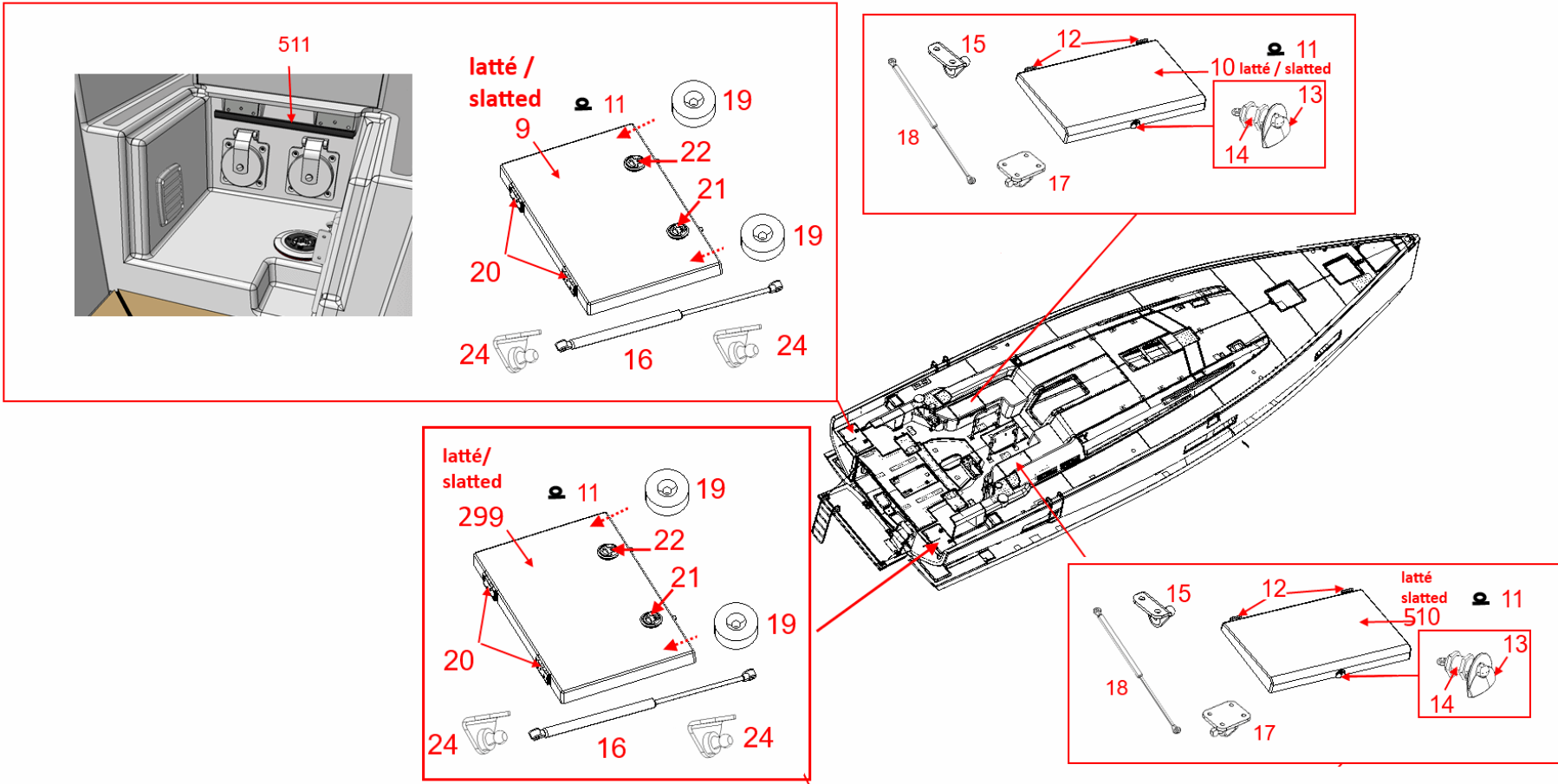


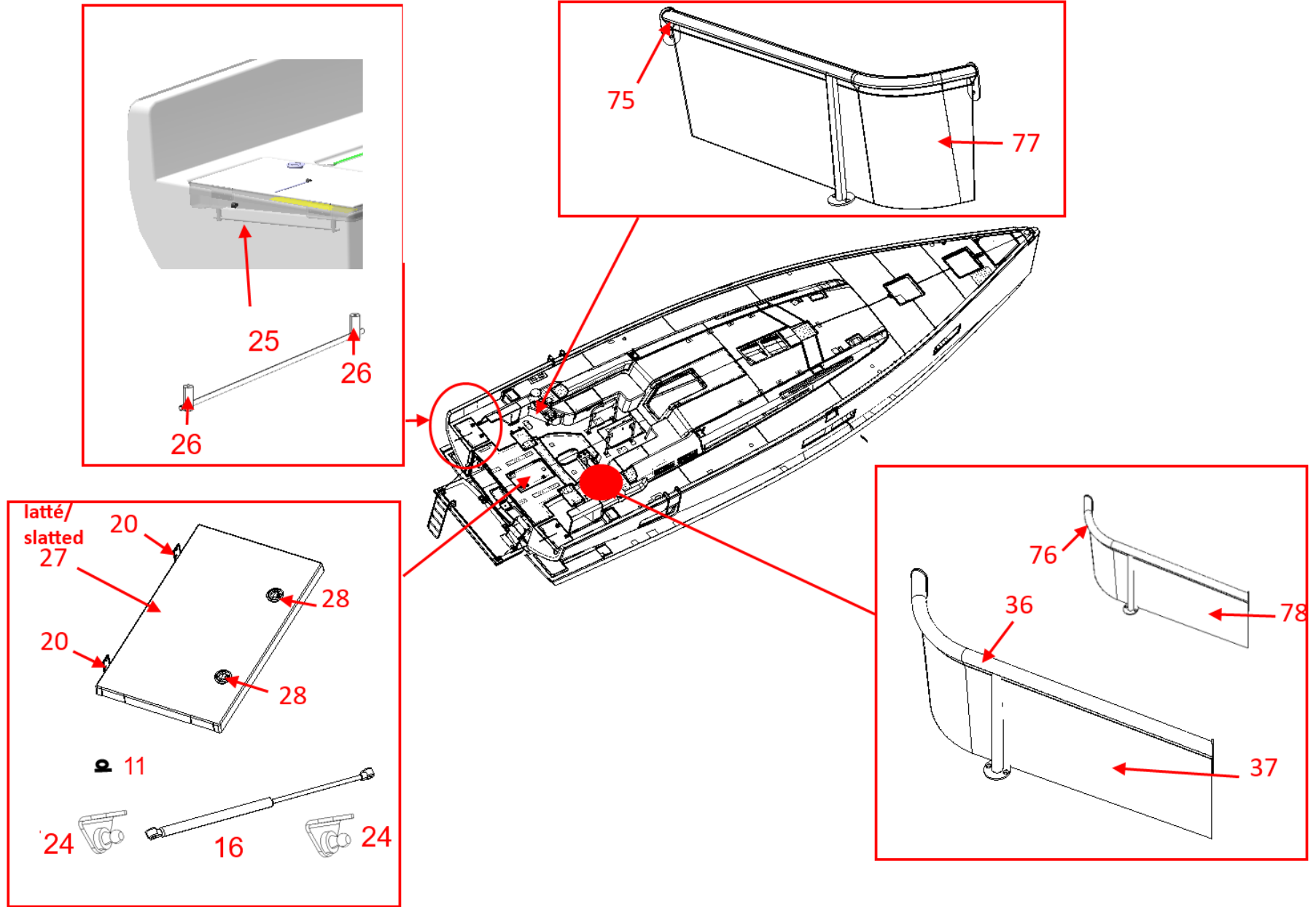
EQUIPMENT HULL - DECK



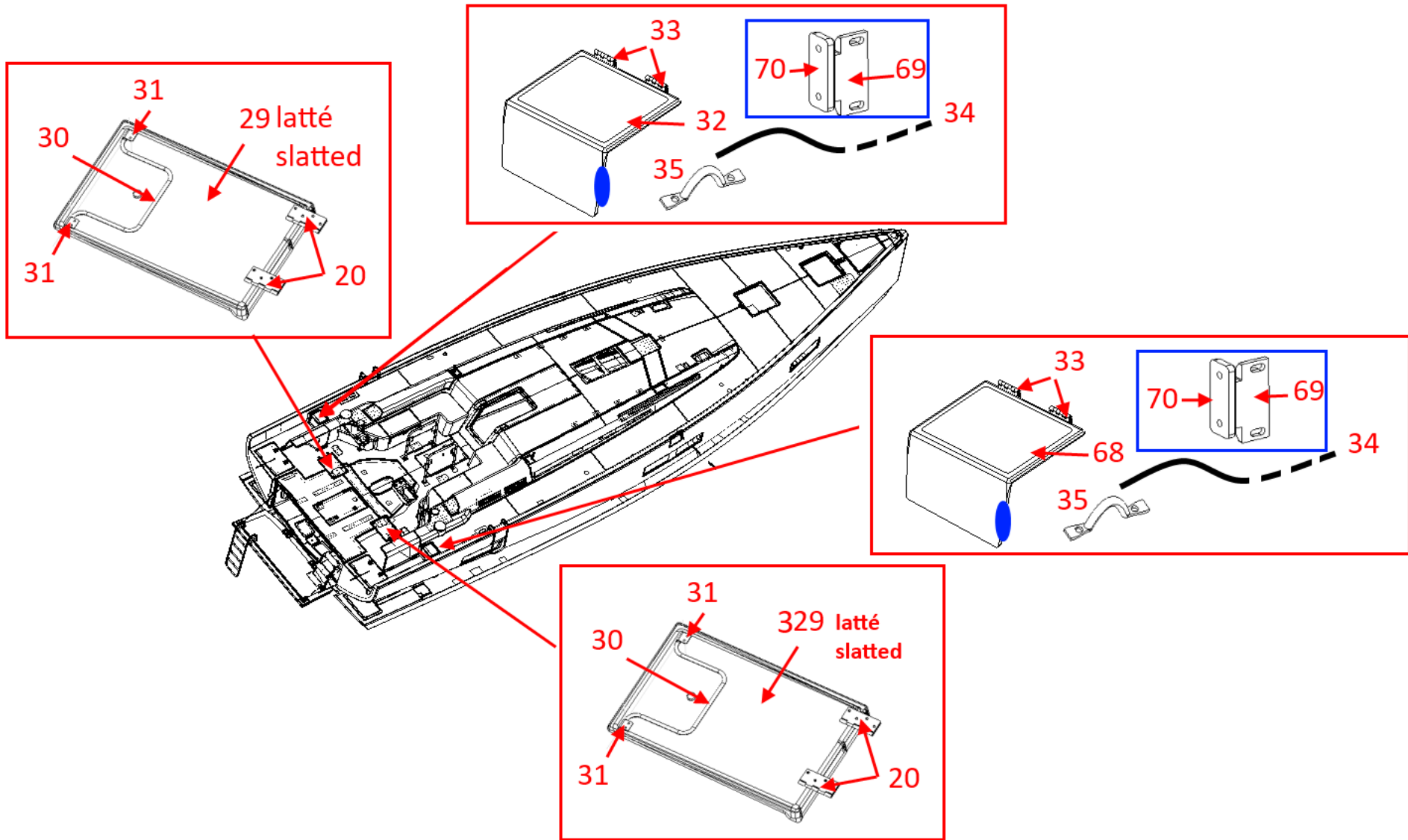
EQUIPMENT HULL - DECK



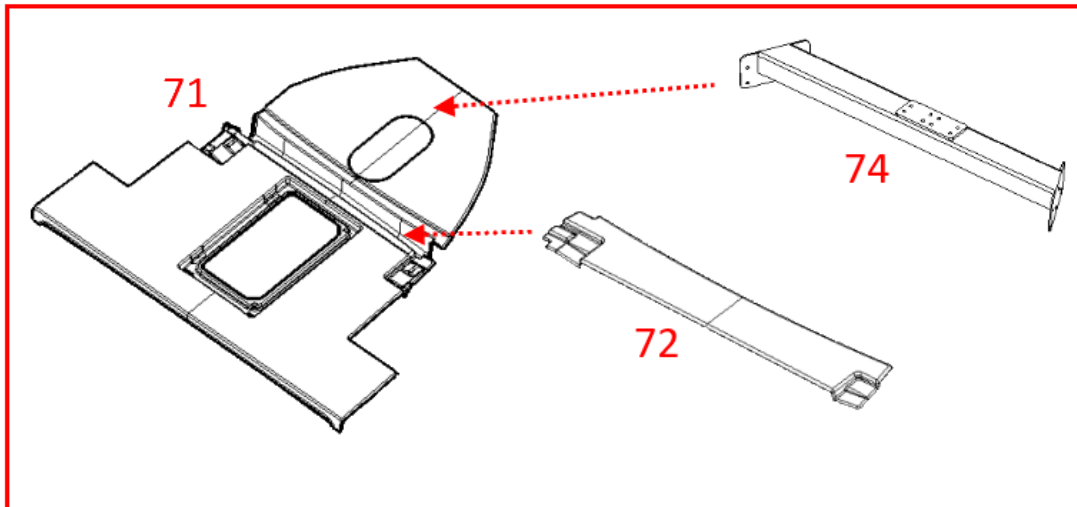
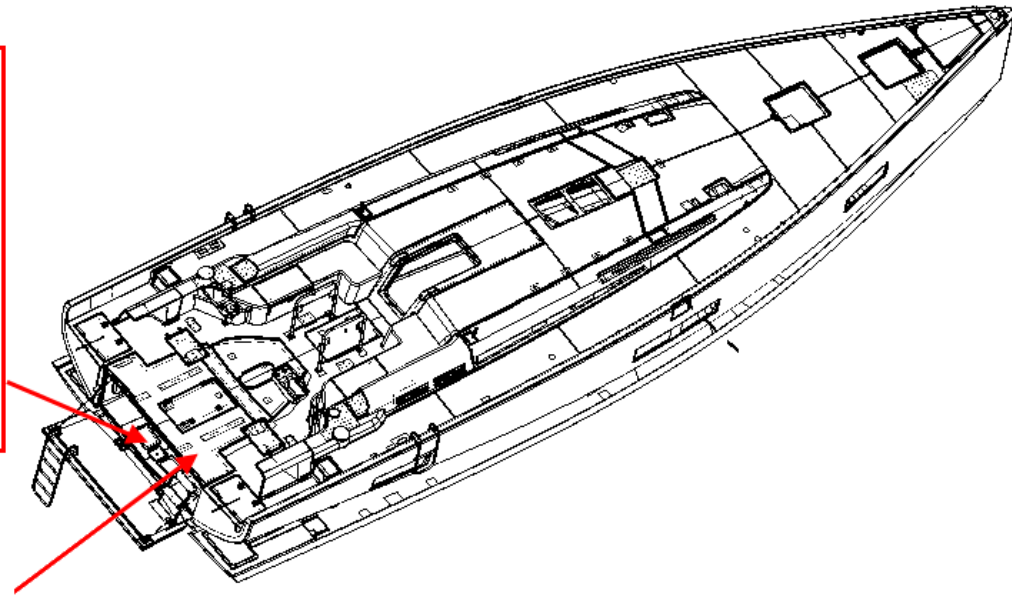
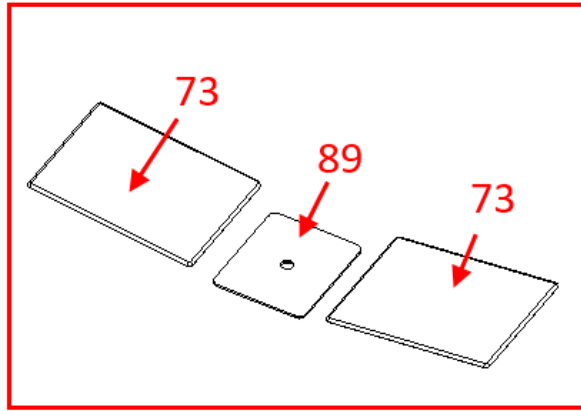
EQUIPMENT HULL - DECK



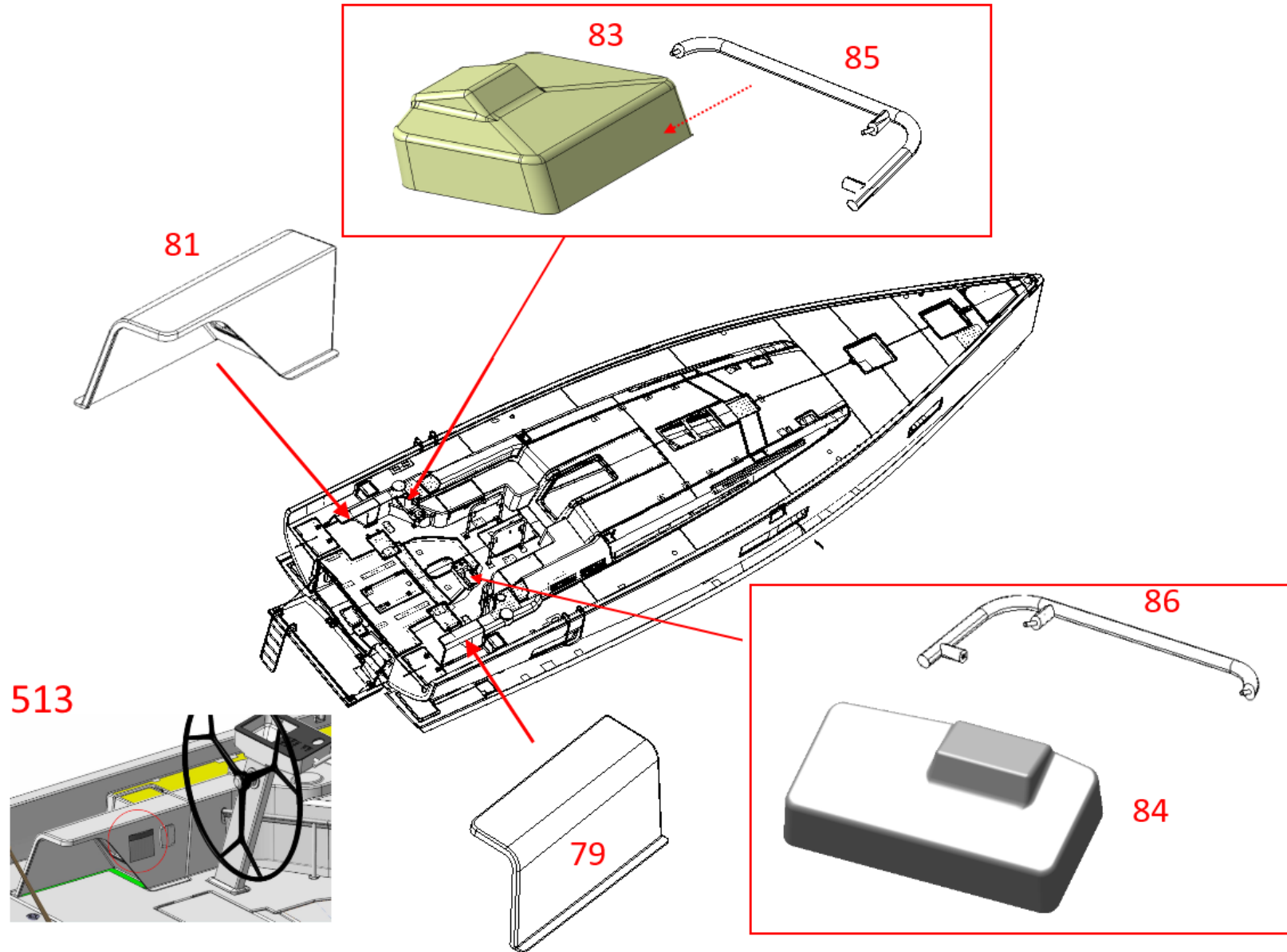
EQUIPMENT HULL - DECK



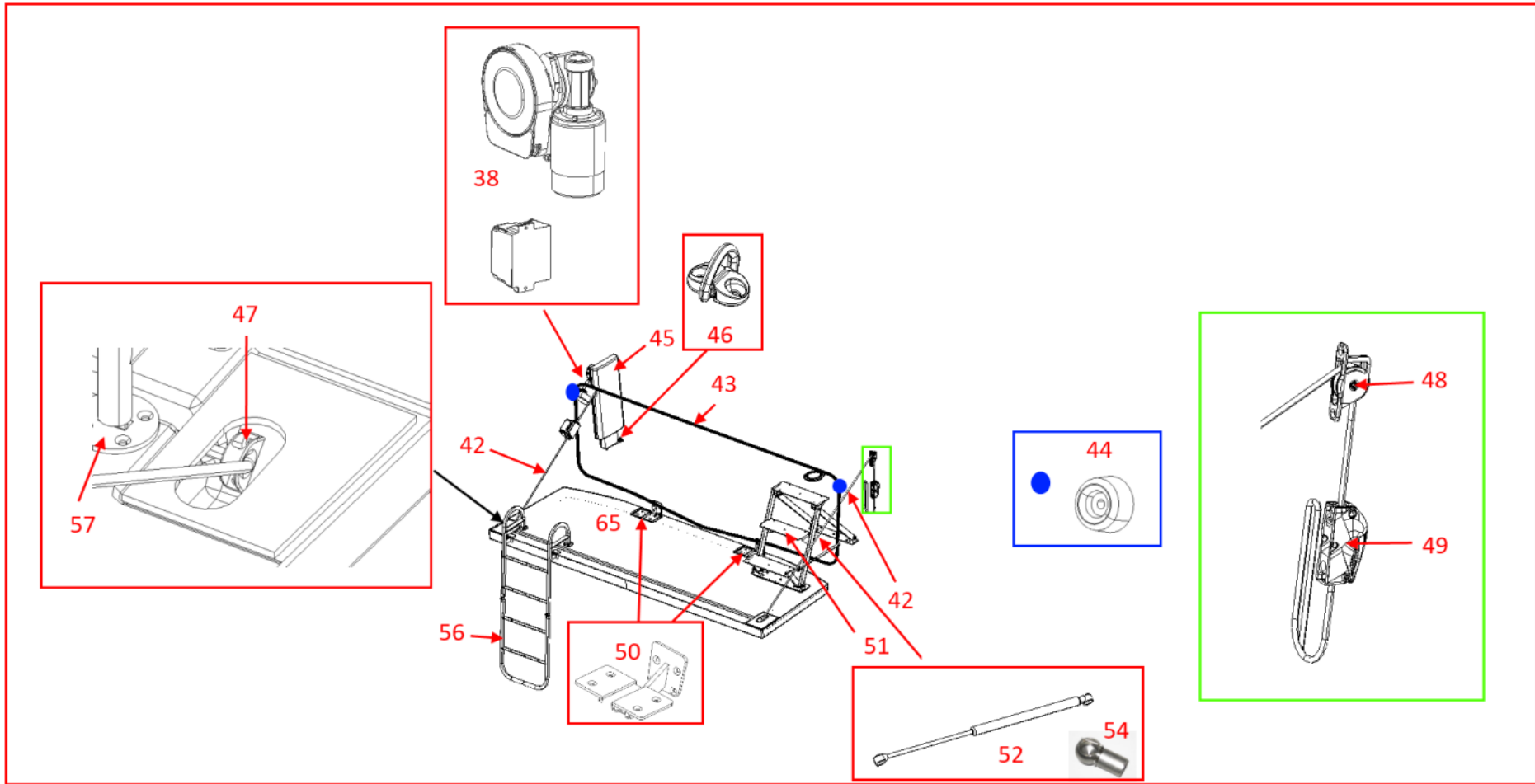
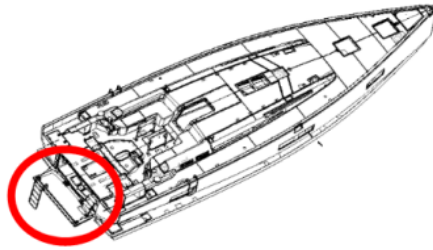
EQUIPMENT HULL - DECK



EQUIPMENT HULL - DECK



EQUIPMENT HULL - DECK



EQUIPMENT HULL - DECK

| option | Pos. | Part No. | Description | Quant. per boat | Version / Option | SS_FAM | Beginning hull number | Ending hull number |
|--------|------|----------|---|--------------------|---------------------|-----------------------|--------------------------|-----------------------|
| | 1 | 206290 | COVER GRP WINDOW FY5MA PORT R9016 | 1,000 | | EQUIPEMENT COQUE PONT | | |
| | 2 | 206286 | COVER GRP WINDOW FY5MA STBD R9016 | 1,000 | | EQUIPEMENT COQUE PONT | | |
| | 3 | 206282 | CACHE PR DRISSE BD FY5MA R9016 | 1,000 | | EQUIPEMENT COQUE PONT | | |
| | 4 | 206284 | CACHE PR DRISSE TD FY5MA R9016 | 1,000 | | EQUIPEMENT COQUE PONT | | |
| | 5 | 206306 | COVER GRP MAST FOOT PORT FY5MA R9016 | 1,000 | | EQUIPEMENT COQUE PONT | | |
| | 6 | 206302 | COVER GRP MAST FOOT STBD FY5MA R9016 | 1,000 | | EQUIPEMENT COQUE PONT | | |
| | 7 | 206298 | TRAP GRP BLOCK PORT STBD FY5MA R9016 | 2,000 | | EQUIPEMENT COQUE PONT | | |
| | 8 | 206300 | TRAP GRP HALYARD PORT STBD FY5MA R9016 | 2,000 | | EQUIPEMENT COQUE PONT | | |
| | 9 | 207126L | SLATTED COVER LEFT AFT LOCKER FY5MA | 1,000 | | EQUIPEMENT COQUE PONT | | |
| | 10 | 207175L | SLATTED LEFT COVER GRP LOCKER BIB FY5MA | 1,000 | | EQUIPEMENT COQUE PONT | | |
| | 11 | 024025 | RUBBER OMEGA PROFILE STICKY 9X10 | 13,400 | | EQUIPEMENT COQUE PONT | | |
| | 12 | 905473 | S/S HINGE 60X72 STDG | 4,000 | | EQUIPEMENT COQUE PONT | | |
| | 13 | 011178 | BILGE LOCKER CHR PLATED BRASS BOLT LATCH | 2,000 | | EQUIPEMENT COQUE PONT | | |
| | 14 | 064967 | LOCK TRUNK BILGE HOLE NM | 2,000 | | EQUIPEMENT COQUE PONT | | 3 |
| | 14 | 183606 | BILGE LOCKER LATCH HOLE 6 3 | 2,000 | | EQUIPEMENT COQUE PONT | 4 | |
| | 15 | 120158 | S/S JACK SUPPORT 90° PM STD NEW MODEL | 2,000 | | EQUIPEMENT COQUE PONT | | |
| | 16 | 081481 | S S GAS JACK 100N LD485 STDG | 2,000 | | EQUIPEMENT COQUE PONT | | |
| | 17 | 147198 | S/S JACK SUPPORT 90° 4 SCREW 5MM | 2,000 | | EQUIPEMENT COQUE PONT | | |
| | 18 | 081483 | GAS JACK IN.25KG | 3,000 | | EQUIPEMENT COQUE PONT | | |
| | 19 | 119582 | NYLON WASHER DIA 4X20 THICK.8 V1 | 2,000 | | EQUIPEMENT COQUE PONT | | |
| | 20 | 905475 | S/S HINGE 100X90 STDG | 10,000 | | EQUIPEMENT COQUE PONT | | |
| | 21 | 068955 | LOCK S S 02 12-35 88 | 2,000 | | EQUIPEMENT COQUE PONT | | 3 |

EQUIPMENT HULL - DECK

| option | Pos. | Part No. | Description | Quant. per boat | Version / Option | SS_FAM | Beginning hull number | Ending hull number |
|--------|------|----------|---|--------------------|---------------------|-----------------------|--------------------------|-----------------------|
| | 21 | 064120 | LOQUET COMP IN 12 22-47 61 | 2,000 | | EQUIPEMENT COQUE PONT | 4 | |
| | 22 | 068027 | LATCH SS W KEY SOUTHCO WAT 02 12-35 88 | 2,000 | | EQUIPEMENT COQUE PONT | | 3 |
| | 23 | 064119 | LOCK W KEY 12 22-47 61 | 2,000 | | EQUIPEMENT COQUE PONT | 4 | |
| | 24 | 120162 | S/S JACK SUPPORT -90° PATELLA NM | 6,000 | | EQUIPEMENT COQUE PONT | | |
| | 25 | 903624 | STRAIGHT S/S FIDDLE D10 L600 | 2,000 | | EQUIPEMENT COQUE PONT | | 3 |
| | 25 | 903624 | STRAIGHT S/S FIDDLE D10 L600 | 2,000 | | EQUIPEMENT COQUE PONT | 4 | |
| | 26 | 130304 | SUPPORT ZK FIDDLE D10 H40 ROUND NM | 4,000 | | EQUIPEMENT COQUE PONT | | 3 |
| | 26 | 130304 | SUPPORT ZK FIDDLE D10 H40 ROUND NM | 4,000 | | EQUIPEMENT COQUE PONT | 4 | |
| | 27 | 207137L | SLATTED COVER GRP COCKPIT FY5MA | 1,000 | | EQUIPEMENT COQUE PONT | | |
| | 28 | 081936 | LOCK S S W KEY 02 12-47 61 | 2,000 | | EQUIPEMENT COQUE PONT | | |
| | 29 | 207115 | FOOT STRAPS GRP FY5MA | 2,000 | | EQUIPEMENT COQUE PONT | | |
| | 29 | 207115L | SLATTED FOOT STRAPS LEFT FY5MA | 1,000 | | EQUIPEMENT COQUE PONT | | |
| | 30 | 188824 | S S CRUTCH FOOTREST OC5SB V1 | 2,000 | | EQUIPEMENT COQUE PONT | | 56 |
| | 30 | 226806 | S S CRUTCH FOOTREST OC5SB V2 | 2,000 | | EQUIPEMENT COQUE PONT | 57 | |
| | 31 | 209374 | S S BEARING D10 | 4,000 | | EQUIPEMENT COQUE PONT | | |
| | 32 | 207176 | PORT GANGWAY STEP HATCH FY5MA | 1,000 | | EQUIPEMENT COQUE PONT | | |
| | 33 | 905473 | S/S HINGE 60X72 STDG | 4,000 | | EQUIPEMENT COQUE PONT | 1 | |
| | 34 | 216324 | ESTROPE GREY FY5MA L394 | 2,000 | | EQUIPEMENT COQUE PONT | 4 | |
| | 35 | 694500 | PADEYE SS PN 2 | 5,000 | | EQUIPEMENT COQUE PONT | 4 | |
| | 36 | 216598 | SS SUPPORT BAG BOUT PORT STD FY5MA | 1,000 | | EQUIPEMENT COQUE PONT | 4 | |
| | 37 | 216323 | STBD ROAP BAG FY5MA C GREY GD | 1,000 | | EQUIPEMENT COQUE PONT | 4 | |
| | 38 | 207224 | WINCH H FLATWIND 250 12V | 1,000 | | EQUIPEMENT COQUE PONT | | 23 |
| | 38 | 255723 | FLATWIND H 250 12V OY5MA FY5MA | 1,000 | | EQUIPEMENT COQUE PONT | 24 | 41 |
| | 38 | 223638 | FLATWIND H 250 12V OY5MA FY5MA | 1,000 | | EQUIPEMENT COQUE PONT | 42 | |
| | 39 | 960214 | BOX DERIVATION 220X170X80 | 1,000 | | EQUIPEMENT COQUE PONT | | |
| | 40 | 981670 | BLACK TERMINAL CAP 35 TO 70² NOIR | 1,000 | | EQUIPEMENT COQUE PONT | | |

EQUIPMENT HULL - DECK

| option | Pos. | Part No. | Description | Quant. per boat | Version / Option | SS_FAM | Begining hull number | Ending hull number |
|--------|------|----------|---|--------------------|---------------------|-----------------------|-------------------------|-----------------------|
| | 41 | 981680 | RED TERMINAL CAP 35 TO 70 | 2,000 | | EQUIPEMENT COQUE PONT | | |
| | 42 | 209411 | ROPE PLATFORM OY5MA | 1,000 | | EQUIPEMENT COQUE PONT | | |
| | 43 | 182781 | JOINT GARAGE TA18S | 5,300 | | EQUIPEMENT COQUE PONT | | |
| | 44 | 955428 | STOPPER PAD D24 WHITE | 2,000 | | EQUIPEMENT COQUE PONT | | 28 |
| | 44 | 163832 | S S PLATE DIA 40X3 | 2,000 | | EQUIPEMENT COQUE PONT | 29 | |
| | 45 | 207764 | ROAP BAG GARAG FY5MA | 1,000 | | EQUIPEMENT COQUE PONT | | |
| | 46 | 151022 | ARTICULATED CHAINPLATE D6 BREAK 1600KNEW | 1,000 | | EQUIPEMENT COQUE PONT | | |
| | 47 | 167785 | ALU RING GENOA SINGLE D12 H | 2,000 | | EQUIPEMENT COQUE PONT | | |
| | 48 | 215691 | SINGLE BLOCK HARK P6018 | 1,000 | | EQUIPEMENT COQUE PONT | | |
| | 49 | 055433 | STOPPER XA1 BLACK AUTOM SINGLE NM | 1,000 | | EQUIPEMENT COQUE PONT | | |
| | 50 | 209220 | S S HINGE SWIN PLATFORM FY5MA | 2,000 | | EQUIPEMENT COQUE PONT | | |
| | 51 | 208619 | SS AFT LADDER FY5MA | 1,000 | | EQUIPEMENT COQUE PONT | | |
| | 52 | 081485 | S S GAS JACK 400N LD485 STDG | 2,000 | | EQUIPEMENT COQUE PONT | | 3 |
| | 52 | 134037 | S/S GAS JACK 650N LD485 STDG | 2,000 | | EQUIPEMENT COQUE PONT | 4 | |
| | 54 | 124060 | EMB.VERIN GAZ IN.COURT | 4,000 | | EQUIPEMENT COQUE PONT | | |
| | 55 | 041490 | S S DOMED WASHER DIA 6 | 10,000 | | EQUIPEMENT COQUE PONT | | |
| | 56 | 207877 | S S BATHING LADDER FY5MA | 1,000 | | EQUIPEMENT COQUE PONT | | |
| | 57 | 196869 | S S PLATE FIX | 2,000 | | EQUIPEMENT COQUE PONT | | |
| | 58 | 077297 | CHAIN HOLDER D08-D10 | 1,000 | | EQUIPEMENT COQUE PONT | | |
| | 59 | 070191 | WINDLASS BREAKER 100A BSS | 1,000 | | EQUIPEMENT COQUE PONT | | 23 |
| | 59 | 070189 | WINDLASS BREAKER 80A BSS | 1,000 | | EQUIPEMENT COQUE PONT | 24 | |
| | 60 | 125979 | POWER SWITCH EXTENSION BLUESEA | 1,000 | | EQUIPEMENT COQUE PONT | | |
| | 61 | 082734 | ALARM BELL (BUZZER) 12V VDO | 1,000 | | EQUIPEMENT COQUE PONT | | |
| | 62 | 046441 | LABEL (C E) ATTENTION | 1,000 | | EQUIPEMENT COQUE PONT | | |
| | 63 | 046444 | LABEL (C E) OWNER S MANUAL | 1,000 | | EQUIPEMENT COQUE PONT | | |
| | 64 | 213756 | ANTI SKID BLACK 25MM L500 X5 | 2,000 | | EQUIPEMENT COQUE PONT | 4 | 54 |
| | 64 | 258309 | ANTI SKID GREY PERLE 500X25 TBS21 | 10,000 | | EQUIPEMENT COQUE PONT | 55 | 54 |

EQUIPMENT HULL - DECK

| option | Pos. | Part No. | Description | Quant. per boat | Version / Option | SS_FAM | Beginning hull number | Ending hull number |
|--------|------|----------|---|--------------------|---------------------|-----------------------|--------------------------|-----------------------|
| | 64 | 229717 | ANTI SKID NO GLISS GREY 25MMX500MM | 10,000 | | EQUIPEMENT COQUE PONT | 55 | |
| | 65 | 206586 | DOOR GRP GARAGE FY5MA | 1,000 | | EQUIPEMENT COQUE PONT | | |
| | 66 | 165388 | S S SELF TAP SCREW A4 TCBTX 3_9X 19 | 2,000 | | EQUIPEMENT COQUE PONT | | |
| | 67 | 091976 | LOCK REVOLVING MAGNETIQUE | 1,000 | | EQUIPEMENT COQUE PONT | | |
| | 68 | 207180 | STBD GANGWAY STEP HATCH FY5MA R9016 | 1,000 | | EQUIPEMENT COQUE PONT | | |
| | 69 | 091520 | LOCK REVOLVING WHITE 3KG | 1,000 | | EQUIPEMENT COQUE PONT | | |
| | 70 | 091976 | LOCK REVOLVING MAGNETIQUE | 1,000 | | EQUIPEMENT COQUE PONT | 4 | |
| | 71 | 206582 | BOTTOM GRP COCKPIT FY5MA | 1,000 | | EQUIPEMENT COQUE PONT | | |
| | 72 | 207135 | COVER GRP BAR FY5MA LINK | 1,000 | | EQUIPEMENT COQUE PONT | | |
| | 73 | 207082 | TRAP GRP GARAGE FY5MA | 2,000 | | EQUIPEMENT COQUE PONT | | |
| | 74 | 207875 | S S DECK REINFORC MAINSAIL SHEET FY5MA | 1,000 | | EQUIPEMENT COQUE PONT | | |
| | 75 | 207885 | SS SUPPORT BAG BOUT PORT FY5MA | 1,000 | | EQUIPEMENT COQUE PONT | | |
| | 76 | 207886 | SS SUPPORT BAG BOUT STBD FY5MA | 1,000 | | EQUIPEMENT COQUE PONT | | 3 |
| | 77 | 209429 | PORT ROAP BAG FY5MA C GREY | 1,000 | | EQUIPEMENT COQUE PONT | | |
| | 78 | 209430 | STBD ROAP BAG FY5MA C GREY | 1,000 | | EQUIPEMENT COQUE PONT | | 3 |
| | 79 | 207168 | HELMSMAN GRP STBD FY5MA | 1,000 | | EQUIPEMENT COQUE PONT | | 3 |
| | 79 | 207168 | HELMSMAN GRP STBD FY5MA | 1,000 | | EQUIPEMENT COQUE PONT | 4 | |
| | 81 | 207164 | HELMSMAN GRP PORT FY5MA | 1,000 | | EQUIPEMENT COQUE PONT | | 3 |
| | 81 | 207164 | HELMSMAN GRP PORT FY5MA | 1,000 | | EQUIPEMENT COQUE PONT | 4 | |
| | 83 | 206592 | INSTRUMENT PANEL GRP FY5MA PORT R9016 | 1,000 | | EQUIPEMENT COQUE PONT | | |
| | 84 | 206596 | INSTRUMENT PANEL GRP FY5MA STBD | 1,000 | | EQUIPEMENT COQUE PONT | | |
| | 85 | 207880 | PORT HANDRAIL S S PANEL WHEEL FY5MA | 1,000 | | EQUIPEMENT COQUE PONT | | 46 |
| | 85 | 224314 | PORT HANDRAIL S S PANEL WHEEL FI4MA | 1,000 | | EQUIPEMENT COQUE PONT | 47 | |
| | 86 | 207881 | STBD HANDRAIL S S PANEL WHEEL FY5MA | 1,000 | | EQUIPEMENT COQUE PONT | | 46 |

