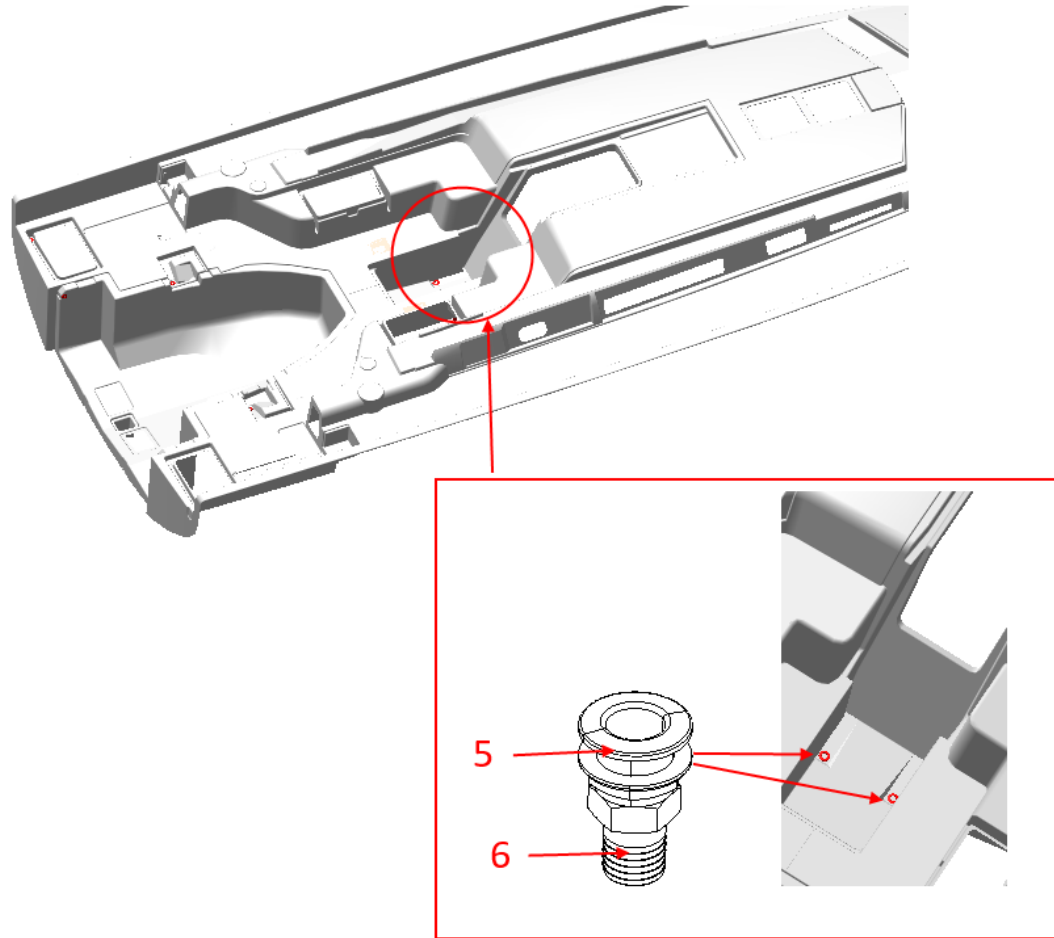


COCKPIT DRAINING



COCKPIT DRAINING

option	Pos.	Part No.	Description	Quant. per boat	Version / Option	SS_FAM	Beginning hull number	Ending hull number
	1	163557	THRU HULL BRZ 1P1_4	2,000		ASSECHEMENT COCKPIT		
	2	163025	VALVE 2W 1 4T BRZ FF 1P1_4	2,000		ASSECHEMENT COCKPIT		
	3	186386	ELBOW 45 MF 1P1_4 BRZ STDG	2,000		ASSECHEMENT COCKPIT		
	4	160060	CANNELED CONNECTOR PLUG M1P1_4 D40 BRZ	2,000		ASSECHEMENT COCKPIT		
	5	999976	BRASS CHROME SEA-COCK 1P1/2 STDG	2,000		ASSECHEMENT COCKPIT		
	6	171579	BRASS STR GROOVED END-PIEC F1 1/2MOB D40	2,000		ASSECHEMENT COCKPIT		
	7	T25B0400270	HOSE ENGINE D 40 L 2700	2,000		ASSECHEMENT COCKPIT		
	8	157521	LABEL STD REJETED TRUNK	4,000		ASSECHEMENT COCKPIT		
	9	157535	LABEL STD RIGID SUPPORT	4,000		ASSECHEMENT COCKPIT		
	10	163556	THRU HULL BRZ 1P	2,000		ASSECHEMENT COCKPIT		
	11	163024	VALVE 2W 1 4T BRZ FF 1P	2,000		ASSECHEMENT COCKPIT		
	12	160070	CANNELED CONNECTOR PLUG M1P D25 BRZ	2,000		ASSECHEMENT COCKPIT		
	13	T25B0250060	HOSE AMORVIN D 25 L 600	2,000		ASSECHEMENT COCKPIT		
	14	T25B0250050	HOSE AMORVIN D 25 L 500	2,000		ASSECHEMENT COCKPIT		34
	14	T25B0250060	HOSE AMORVIN D 25 L 600	2,000		ASSECHEMENT COCKPIT	35	
	15	T25B0250040	HOSE AMORVIN D 25 L 400	2,000		ASSECHEMENT COCKPIT		
	16	T25B0250170	HOSE AMORVIN D 25 L 1700	2,000		ASSECHEMENT COCKPIT		3
	17	T25B0200170	HOSE SEA WATER D 20 L 1700	2,000		ASSECHEMENT COCKPIT	4	
	18	T25B0250190	HOSE AMORVIN D 25 L 1900	2,000		ASSECHEMENT COCKPIT		3
	19	T25B0250170	HOSE AMORVIN D 25 L 1700	2,000		ASSECHEMENT COCKPIT	4	
	20	981608	WHITE PLASTIC	2,000		ASSECHEMENT COCKPIT		
	21	061351	THRU HULL CD90 CAN 25 PLAST	2,000		ASSECHEMENT COCKPIT		3
	21	999974	BRASS CHROME SEA-COCK 1P STDG	2,000		ASSECHEMENT COCKPIT	4	
	22	186382	ELBOW 90 MF 1P BRZ STDG	2,000		ASSECHEMENT COCKPIT	4	
	23	171378	BRASS STR GROOVED END-PIECE F1P MOB D25	2,000		ASSECHEMENT COCKPIT	4	
	24	981608	WHITE PLASTIC	2,000		ASSECHEMENT COCKPIT		3

