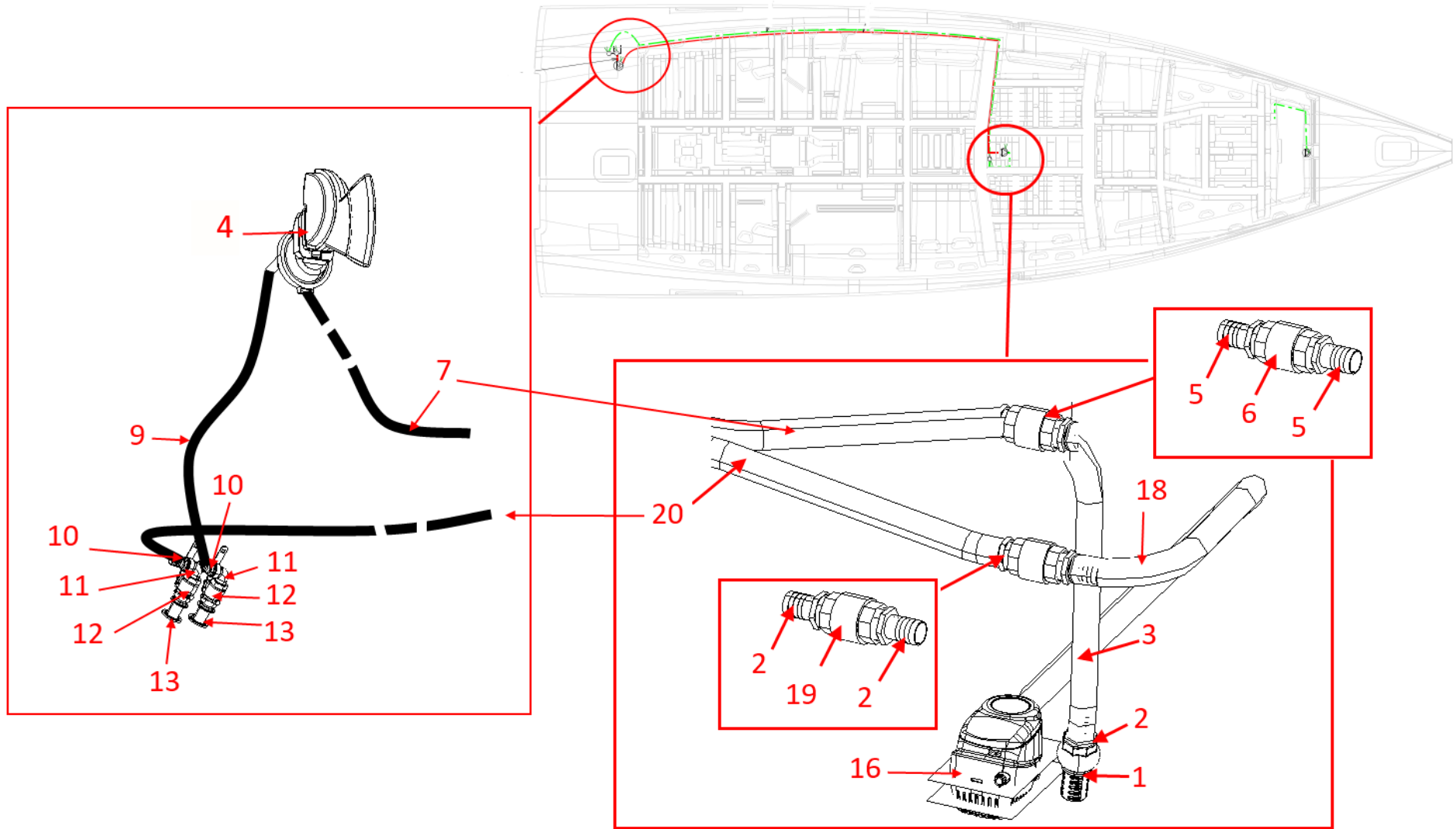


BILGE DRAINING



BILGE DRAINING

option	Pos.	Part No.	Description	Quant. per boat	Version / Option	SS_FAM	Beginning hull number	Ending hull number
	1	998844	STRAINER 1P VERT CHK VALVE N1	1,000		ASSECHEMENT CALE		28
	1	218924	STRAINER 1P VERT CHK VALVE N2	1,000		ASSECHEMENT CALE	29	
	2	338000	BRASS STR GROOVED END-PIECE M26X34 D25	3,000		ASSECHEMENT CALE		
	2	256371	BRASS DRT LT CAN M26X34 D25 NM	3,000		ASSECHEMENT CALE		
	3	T22B0251100	HOSE 25 L11000 WATER STDG	1,000		ASSECHEMENT CALE		5
	3	T22B0251000	HOSE D25 L10.00 SPIR.GRY	1,000		ASSECHEMENT CALE	6	
	4	041319	MANUAL BILGE PUMP 1ACTION 0_7L C	1,000		ASSECHEMENT CALE		
	5	338000	BRASS STR GROOVED END-PIECE M26X34 D25	2,000		ASSECHEMENT CALE	6	
	5	256371	BRASS DRT LT CAN M26X34 D25 NM	2,000		ASSECHEMENT CALE		
	6	196629	REDUCER FF 1P	1,000		ASSECHEMENT CALE	6	15
	6	196629	REDUCER FF 1P	1,000		ASSECHEMENT CALE	16	
	6	256395	REDUCER FF 26X34 NM	1,000		ASSECHEMENT CALE		
	7	T22B0250100	HOSE 25 L 1000 WATER STDG	1,000		ASSECHEMENT CALE	6	
	9	T22B0250150	HOSE 25 L 1500 WATER STDG	1,000		ASSECHEMENT CALE		
	10	160070	CANNELED CONNECTOR PLUG M1P D25 BRZ	2,000		ASSECHEMENT CALE		
	11	186382	ELBOW 90 MF 1P BRZ STDG	2,000		ASSECHEMENT CALE		
	12	163024	VALVE 2W 1 4T BRZ FF 1P	2,000		ASSECHEMENT CALE		
	13	163556	THRU HULL BRZ 1P	2,000		ASSECHEMENT CALE		
	14	157522	LABEL STD REJETED BILGE PUMP MOTOR	1,000		ASSECHEMENT CALE		
	15	082734	ALARM BELL (BUZZER) 12V VDO	1,000		ASSECHEMENT CALE		
	16	205047	BILGE PUMP RULE RM1100A 12V N2	1,000		ASSECHEMENT CALE		3
	16	214287	BILGE PUMP RULE RM1100B 12V	1,000		ASSECHEMENT CALE	4	38
	16	229183	BILGE PUMP SAHARA S1200 12V	1,000		ASSECHEMENT CALE	39	
	17	151959	BILGE PUMP SUPPORT 90X50 6 THICK	1,000		ASSECHEMENT CALE		
	18	T22B0250080	HOSE 25 L 800 WATER STDG	1,000		ASSECHEMENT CALE		
	19	061946	NON-RETURN VALVE FF26X34 BRASS	1,000		ASSECHEMENT CALE		

