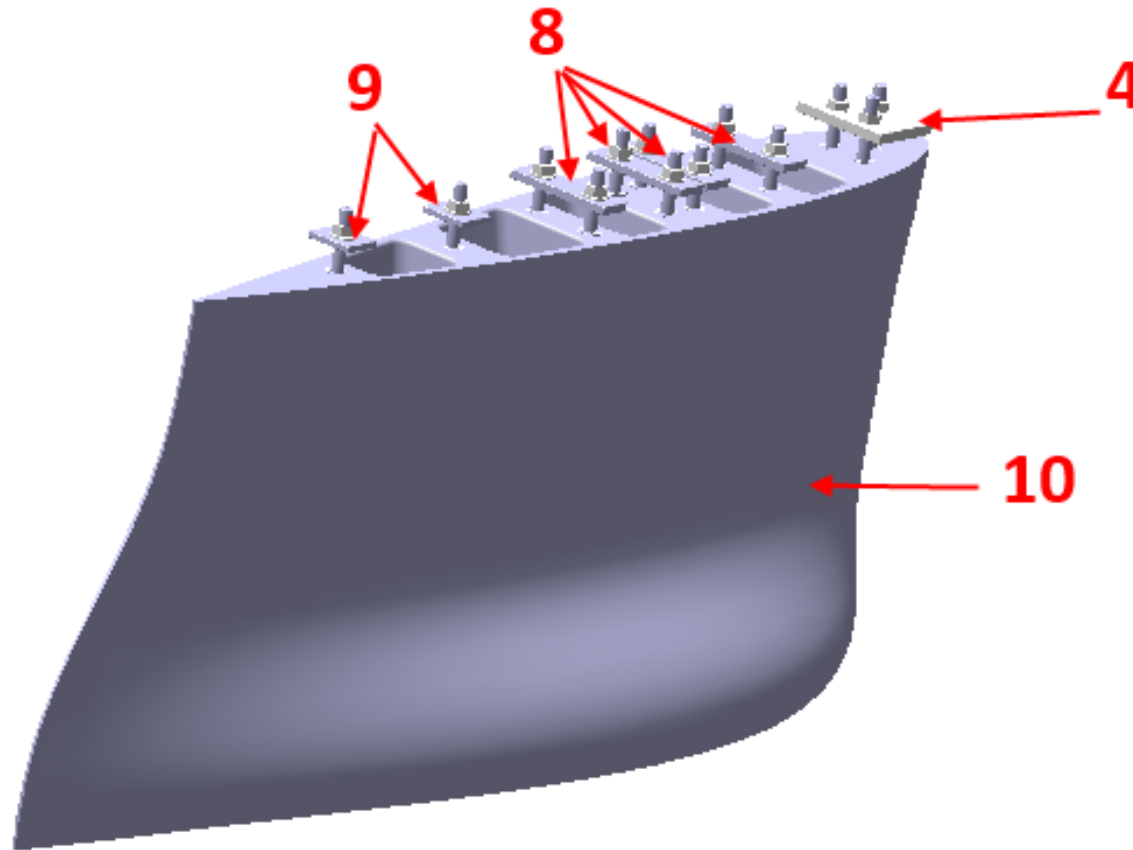
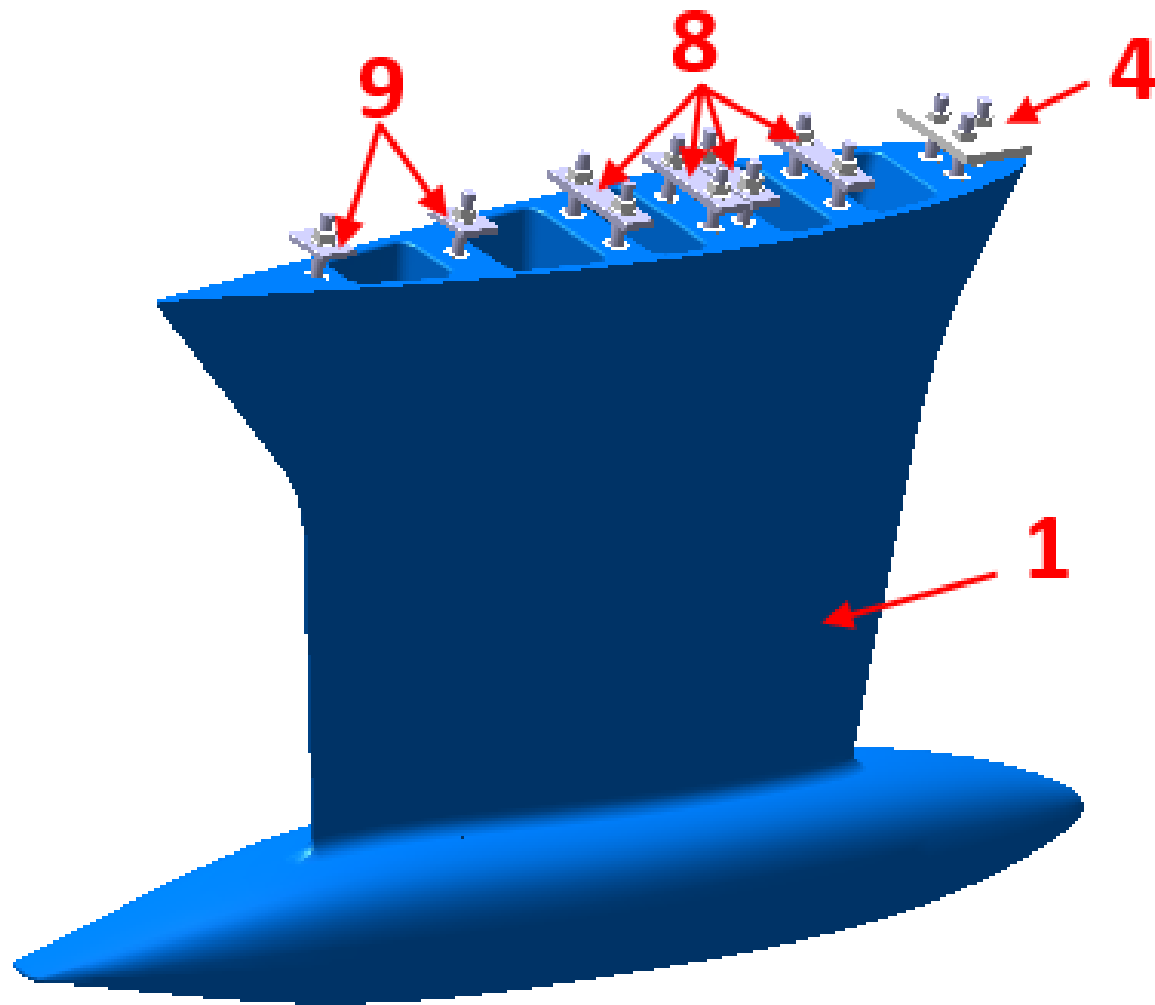


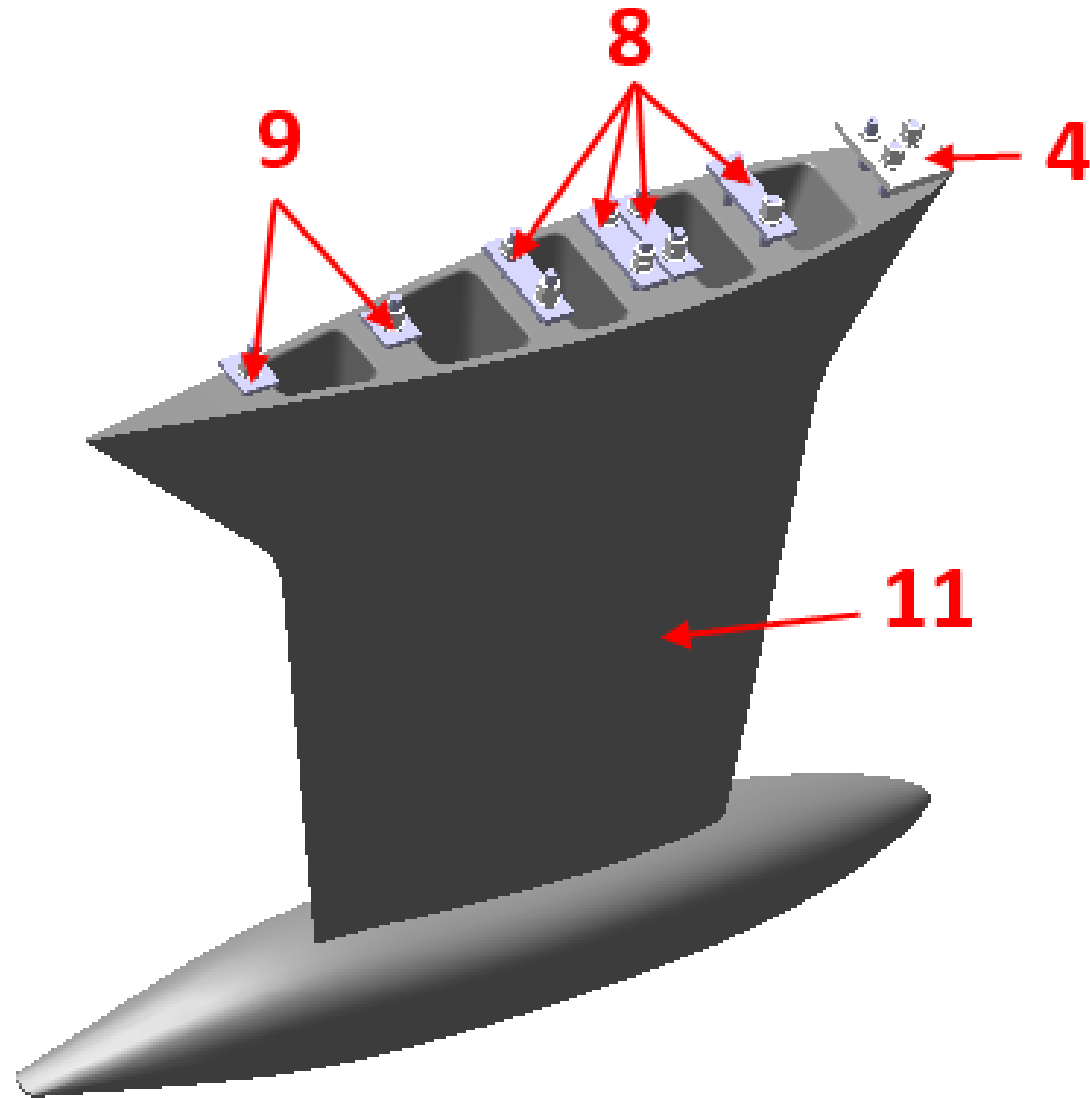
BALLAST



BALLAST



BALLAST



BALLAST

option	Pos.	Part No.	Description	Quant. per boat	Version / Option	SS_FAM	Beginning hull number	Ending hull number
	1	208092	DEEP KEEL FY5MA CAST IRON PAINTED	1,000	QUILLE GTE FONTE	LEST		
	2	165404	S S METRIC SCREW A4 TFTX M 8X 40	1,000	QUILLE PTE FONTE	LEST		
	2	165404	S S METRIC SCREW A4 TFTX M 8X 40	1,000	QUILLE GTE FONTE	LEST		
	2	165404	S S METRIC SCREW A4 TFTX M 8X 40	1,000	QUILLE TGTE	LEST		
	3	791600	S S WASHER DIA 8	1,000	QUILLE PTE FONTE	LEST		
	3	791600	S S WASHER DIA 8	1,000	QUILLE GTE FONTE	LEST		
	3	791600	S S WASHER DIA 8	1,000	QUILLE TGTE	LEST		
	4	205663	S S KEEL PLATE D35 25X180X280 3H	1,000	QUILLE PTE FONTE	LEST		
	4	205663	S S KEEL PLATE D35 25X180X280 3H	1,000	QUILLE GTE FONTE	LEST		
	4	205663	S S KEEL PLATE D35 25X180X280 3H	1,000	QUILLE TGTE	LEST		
	5	171156	THREADED ROD M30 L240 LST NM	13,000	QUILLE PTE FONTE	LEST		
	5	171156	THREADED ROD M30 L240 LST NM	13,000	QUILLE GTE FONTE	LEST		
	5	171156	THREADED ROD M30 L240 LST NM	13,000	QUILLE TGTE	LEST		
	6	173084	S STEEL HEX NUT DIA M30 LST	26,000	QUILLE PTE FONTE	LEST		
	6	173084	S STEEL HEX NUT DIA M30 LST	26,000	QUILLE GTE FONTE	LEST		
	6	173084	S STEEL HEX NUT DIA M30 LST	26,000	QUILLE TGTE	LEST		
	7	954165	WASHER FLAT D30 A4	13,000	QUILLE PTE FONTE	LEST		

