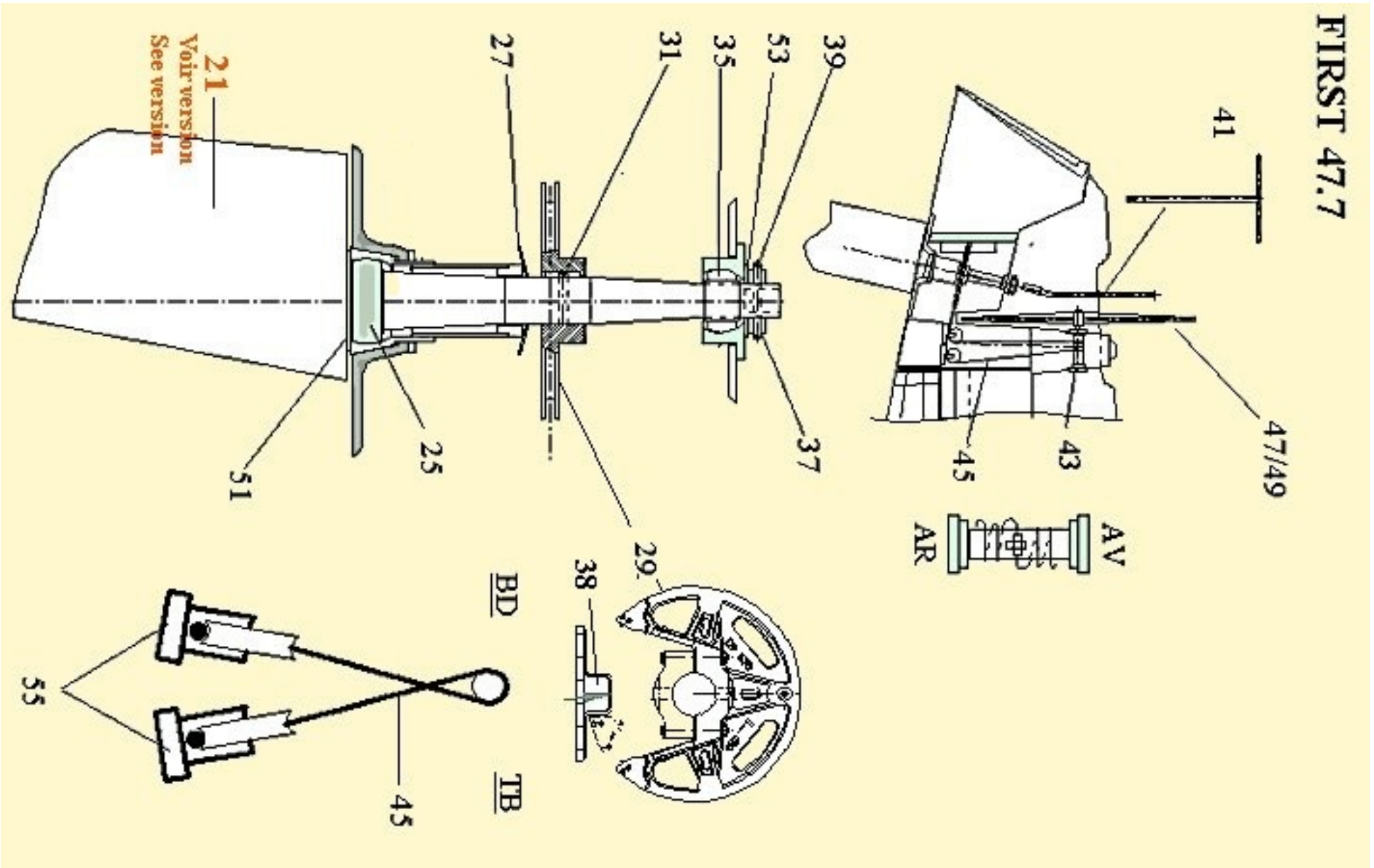


STEERING SYSTEM



STEERING SYSTEM

option	Pos.	Part No.	Description	Quant. per boat	Version / Option	SS_FAM	Begining hull number	Ending hull number
	21	057064	RUDDER 18470+SHAFT (GTE) NM	1,000	QUILLE GTE PLOMB		195	
	21	057064	RUDDER 18470+SHAFT (GTE) NM	1,000	QUILLE PTE PLOMB		195	
	21	057063	RUDDER 18470+SHAFT (PTE) NM	1,000	LEST AILETTES PLOMB		195	
	25	073784	LOWER BEARING D149 18470 SAV	1,000				188
	25	073974	LOWER BEARING D149 NO TUBE 18470	1,000			189	194
	25	057972	LOWER BEARING D160 JEFA	1,000			195	
	25	056119	LOWER BEARING D149 N! NOT AVAILABLE !	1,000			189	194
	25	055009	LOWER BEARING D149+R! NOT AVAILABLE !	1,000			104	188
	25	049519	LOWER BEARING D149+R! NOT AVAILABLE !	1,000				103
	27	057536	JOINT JEFA18470 WICK BELLOWS	1,000			195	
	27	052880	NEOPR WASHER D180X110X3	1,000			34	194
	29	049521	BORED QUADRANT D120 R285 DG	1,000				
	31	049522	PIN D16X130 QUADRANT LECOMBLE	1,000				
	35	057970	UPPER BEARING D105 JEFA	1,000				194
	35	057973	UPPER BEARING D115 JEFA	1,000			195	
	35	055008	UPPER BEARING D105 18470 NM	1,000			104	194
	35	049518	UPPER BEARING D105 18470 AM	1,000				103
	37	057537	S S RING+PIN FOR RUDDERSTOCK 136X97X20	1,000			195	
	38	065992	CENTER STOP 18470 AL	1,000			285	
	41	050344	EMERGENCY TILLER 18470	1,000				
	43	056676	BULCKHEAD STEER GEAR 18470 EQUIP LS	1,000			159	
	43	049520	BULCKHEAD STEER GEAR JP3 18470	1,000				158
	45	054628	DYNEMA CABLE 18470 TERMINAL	1,000			94	158

