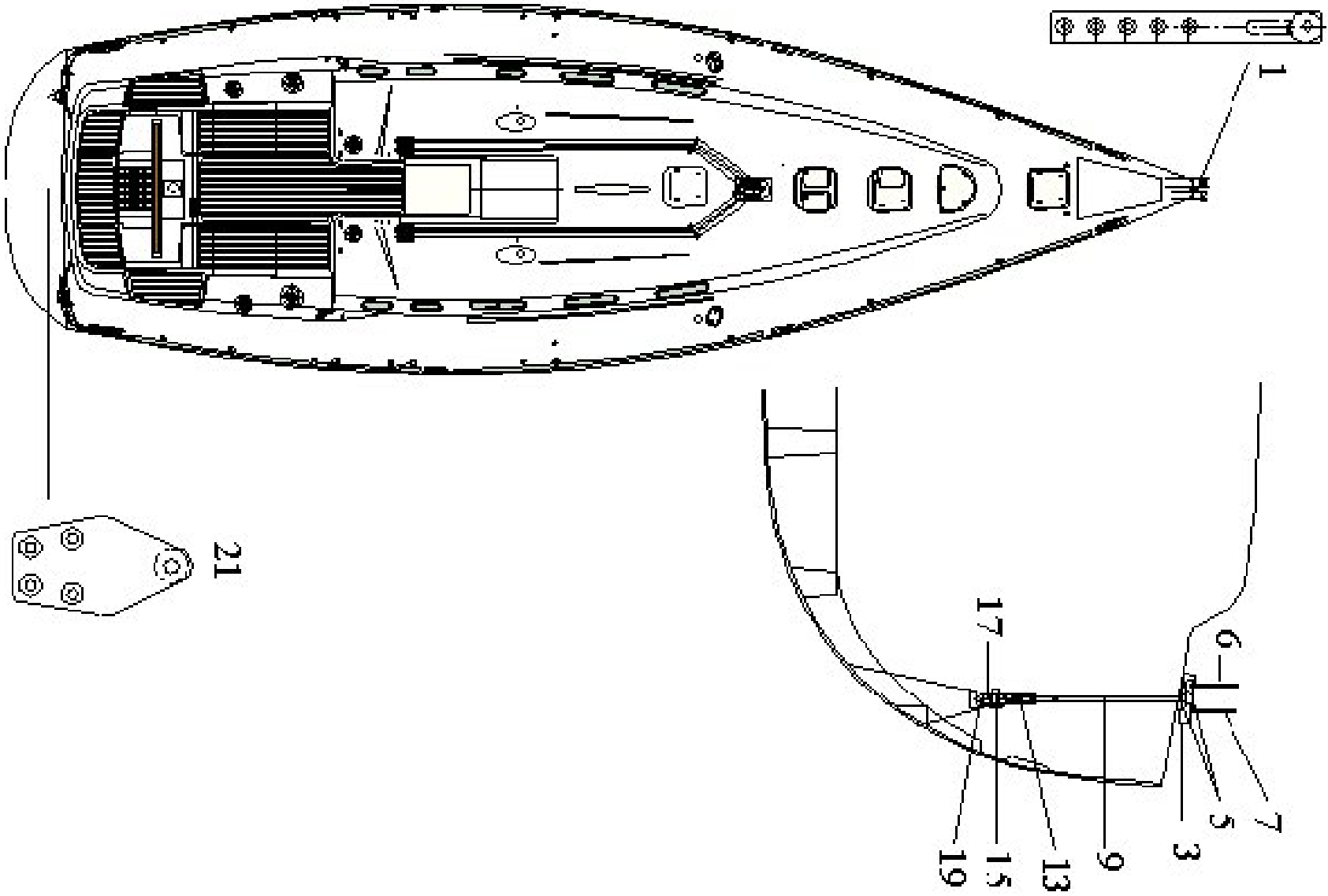


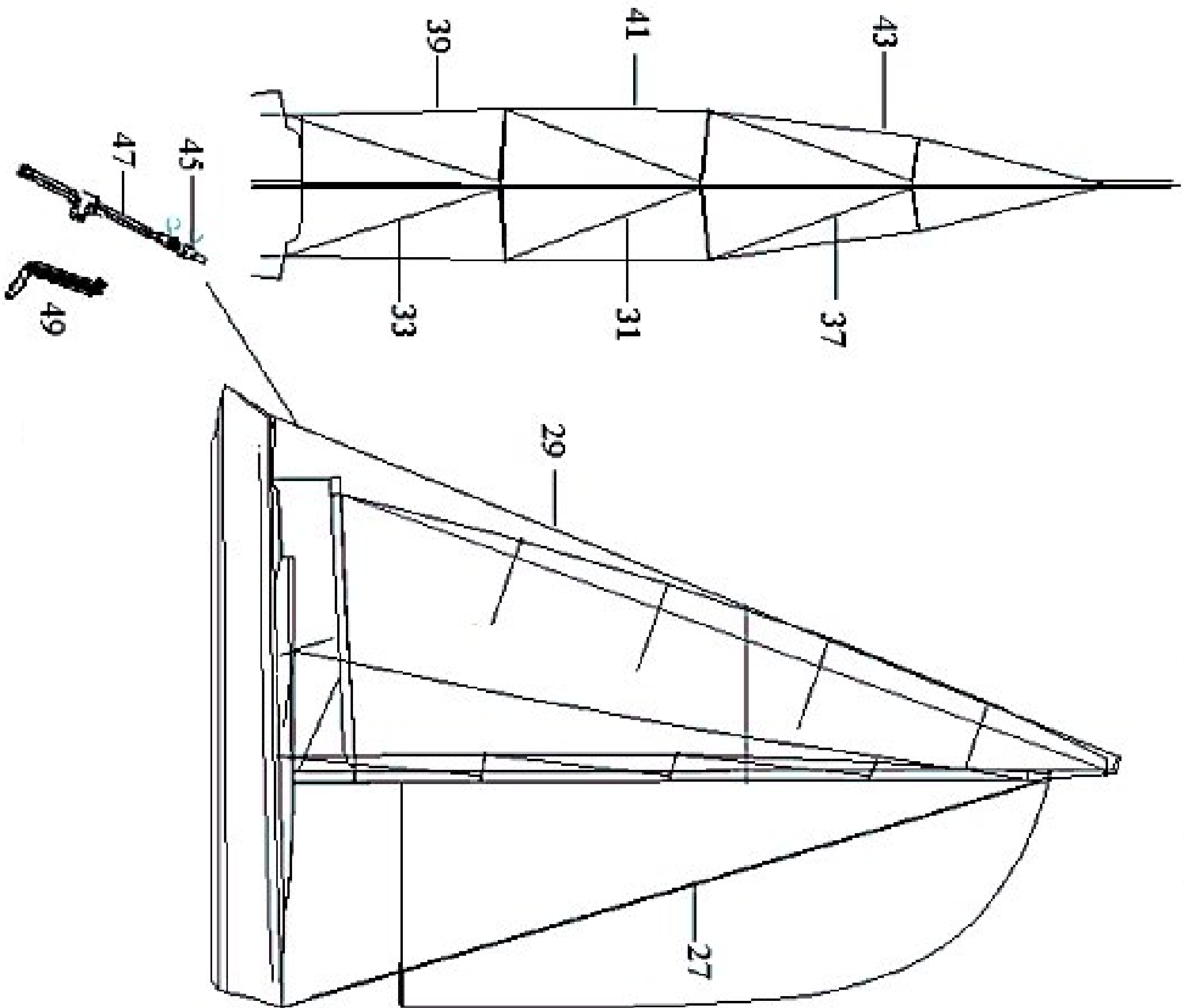
FIRST 47

Standard ; Commum



STANDING RIGGING AND ATTACHMENTS

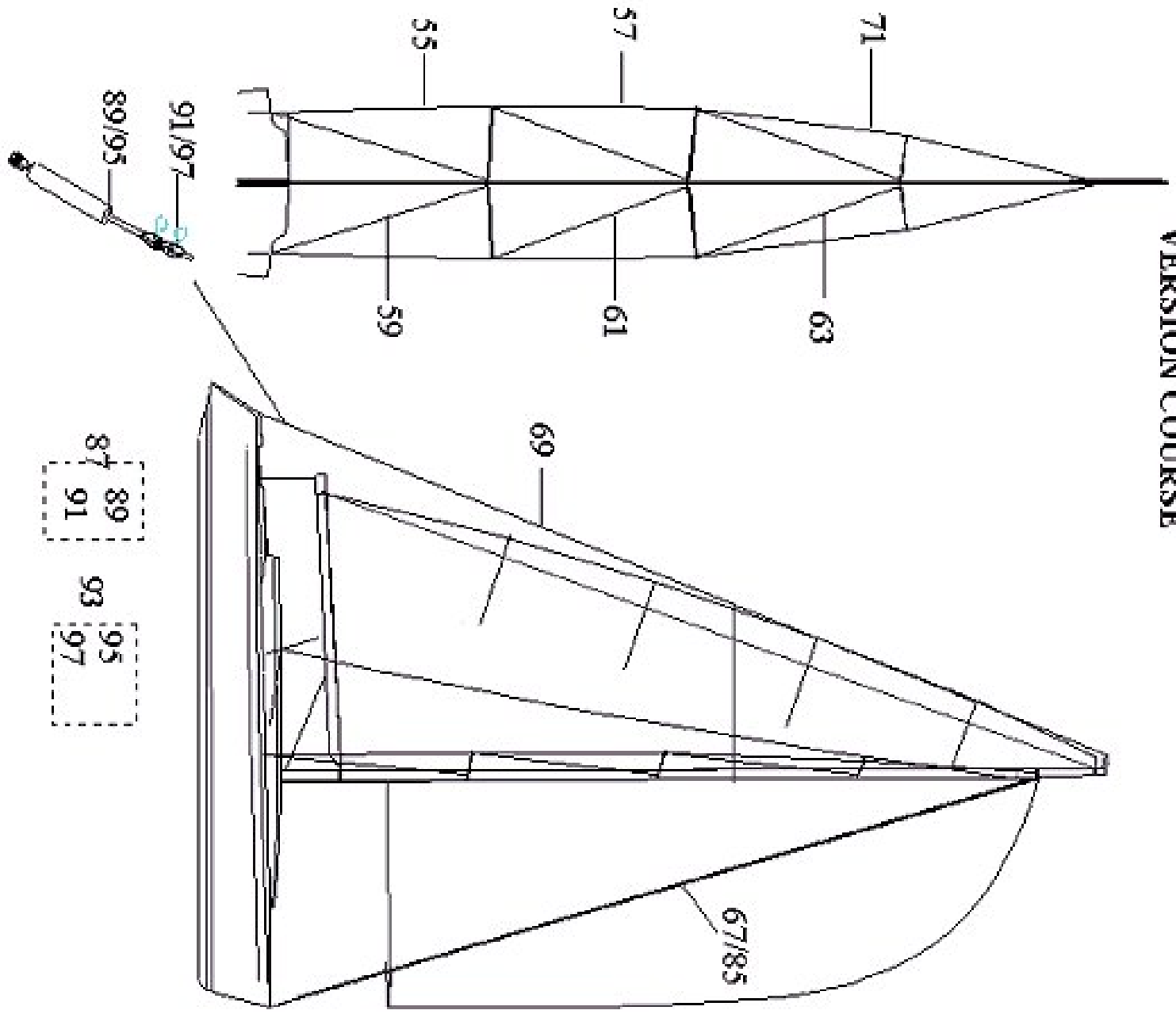
FIRST 47
VERSION CROISIERE



25	27	35
29	31	37
33	33	39
		41
		43

STANDING RIGGING AND ATTACHMENTS

FIRST 47.7
VERSION COURSE



STANDING RIGGING AND ATTACHMENTS

option	Pos.	Part No.	Description	Quant. per boat	Version / Option	SS_FAM	Beginning hull number	Ending hull number
	1	049751	FORESTAY SLAT 18470	1,000				
	3	056025	S S SHROUD CHAINPLATE N 4 AM	2,000			202	
	3	017947	SHROUD CHAINPLATE N ! NOT AVAILABLE !	2,000				201
	5	030600	ADAPTATION CUPEL CHAINPLATE N 4	2,000				
	6	030604	STEMBALL END THREADED CABLE D12MM	2,000			262	
	6	030610	STEMBALL END THREADED ROD D 9_5MM	2,000				261
	7	030606	STEMBALL END THREADED CABLE D16MM	2,000			262	
	7	030612	STEMBALL END THREADED ROD D12_7MM	2,000				261
	9	049769	CHAINPLATE TIE ROD 18470	2,000				201
	9	056799	CHAINPLATE TIE ROD N4 1P1 8 L940LA	2,000			202	
	13	025029	TURNBUCKLE N 4 PAS UNF 1P1 8-12	2,000				
	15	025028	S S AXLE D30	2,000				
	17	025031	FORK TERMINAL CHAINPLATE TIE ROD CM30SB	2,000				
	19	018720	S S ROD D40 L430	2,000				
	21	049768	BACKSTAY CHAINPLATE 18470	1,000				
	25	063283	S S RIGGING 18470 MONOTORON COLIS 1 2 N3	1,000	VOILES CROISIERE		263	
	25	054781	S S RIGGING 18470 MONOTORON COLIS 1 2 N2	1,000	VOILES CROISIERE			262
	27	050038	FORESTAY 18470 MONOTORON AM	1,000	VOILES CROISIERE			115
	27	054783	FORESTAY 18470 MONOTORON NM	1,000	VOILES CROISIERE		116	
	29	050039	BACKSTAY 18470 MONOTORON AM	1,000	VOILES CROISIERE			115
	29	054784	BACKSTAY 18470 MONOTORON NM	1,000	VOILES CROISIERE		116	

STANDING RIGGING AND ATTACHMENTS

option	Pos.	Part No.	Description	Quant. per boat	Version / Option	SS_FAM	Begining hull number	Ending hull number
	31	054785	INTER 18470 D2 MONOTORON NM	2,000	VOILES CROISIERE		116	
	31	050040	INTER 18470 D2 MONOTORON AM	2,000	VOILES CROISIERE			115
	33	050041	LOW SHROUD 18470 AFT D1 MONOTORON	2,000	VOILES CROISIERE			115
	33	054786	LOW SHROUD 18470 AFT D1 MONOTORON NM	2,000	VOILES CROISIERE		116	
	35	054782	S S RIGGING 18470 MONOTORON COLIS 2 2 NM	1,000	VOILES CROISIERE			
	37	050042	INTER 18470 D3 MONOTORON AM	2,000	VOILES CROISIERE			115
	37	054787	INTER 18470 D3 MONOTORON NM	2,000	VOILES CROISIERE		116	
	39	054788	LOWER SHROUD 18470 V1 MONOTORON NM	2,000	VOILES CROISIERE		116	
	39	050043	LOWER SHROUD 18470 V1 MONOTORON	2,000	VOILES CROISIERE			115
	41	054789	INTER SHROUD 18470 V2 MONOTORON NM	2,000	VOILES CROISIERE		116	
	41	050044	INTER SHROUD 18470 V! NOT AVAILABLE !	2,000	VOILES CROISIERE			115
	43	054790	UPPER SHROUD 18470 D4 V3 MONOTORON NM	2,000	VOILES CROISIERE		116	
	43	050045	UPPER SHROUD 18470 D4 V3 MONOTORON	2,000	VOILES CROISIERE			115
	45	050349	CARDAN NAVTEC D19_6 18470CROIS	1,000	VOILES CROISIERE			
	47	050059	BACKSTAY RIGG SCREW+HANDLE 19_2-640 890	1,000	VOILES CROISIERE			
	49	581300	LOCKING WINCH HANDLE PC LENGTH 203	1,000	VOILES CROISIERE			
	53	050826	S S RIGGING 18470 ROD COLIS 1 3	1,000	VERSION REGATE			

STANDING RIGGING AND ATTACHMENTS

option	Pos.	Part No.	Description	Quant. per boat	Version / Option	SS_FAM	Beginning hull number	Ending hull number
	55	050831	LOWER SHROUD 18470 V1 ROD	2,000	VERSION REGATE			
	57	050832	INTER SHROUD 18470 V2 ROD	2,000	VERSION REGATE			
	59	050834	LOW SHROUD 18470 AFT D1 ROD	2,000	VERSION REGATE			
	61	050835	INTER 18470 D2 ROD	2,000	VERSION REGATE			
	63	050836	INTER 18470 D3 ROD	2,000	VERSION REGATE			
	65	050827	S S RIGGING 18470 ROD COLIS 2 4	1,000	VERSION REGATE			
	67	052827	FORESTAY 18470 ROD NM	1,000	VERSION REGATE			
	69	052666	BACKSTAY 18470 ROD NM	1,000	VERSION REGATE		18	
	69	050837	BACKSTAY 18470 ROD A! NOT AVAILABLE !	1,000	VERSION REGATE			17
	71	050833	UPPER SHROUD 18470 D4 V3 ROD	2,000	VERSION REGATE			
	73	050828	S S RIGGING 18470 ROD COLIS 3 4	1,000	VERSION REGATE			
	75	052464	FOLDER SCREW 18470 C! NOT AVAILABLE !	1,000	VERSION REGATE			
	77	052461	S S ROD RIGGING LOWE! NOT AVAILABLE !	2,000	VERSION REGATE			
	79	052462	S S ROD RIGGING SCRE! NOT AVAILABLE !	2,000	VERSION REGATE			
	81	052463	1 2 RIGGING LOWER LOWER SHROUD 18470	2,000	VERSION REGATE			
	83	052471	1 2 RIGGING LOWER SHROUD 18470	2,000	VERSION REGATE			
	85	050849	HEADFOIL 18470 TUFF-LUFF	1,000	VERSION REGATE			

