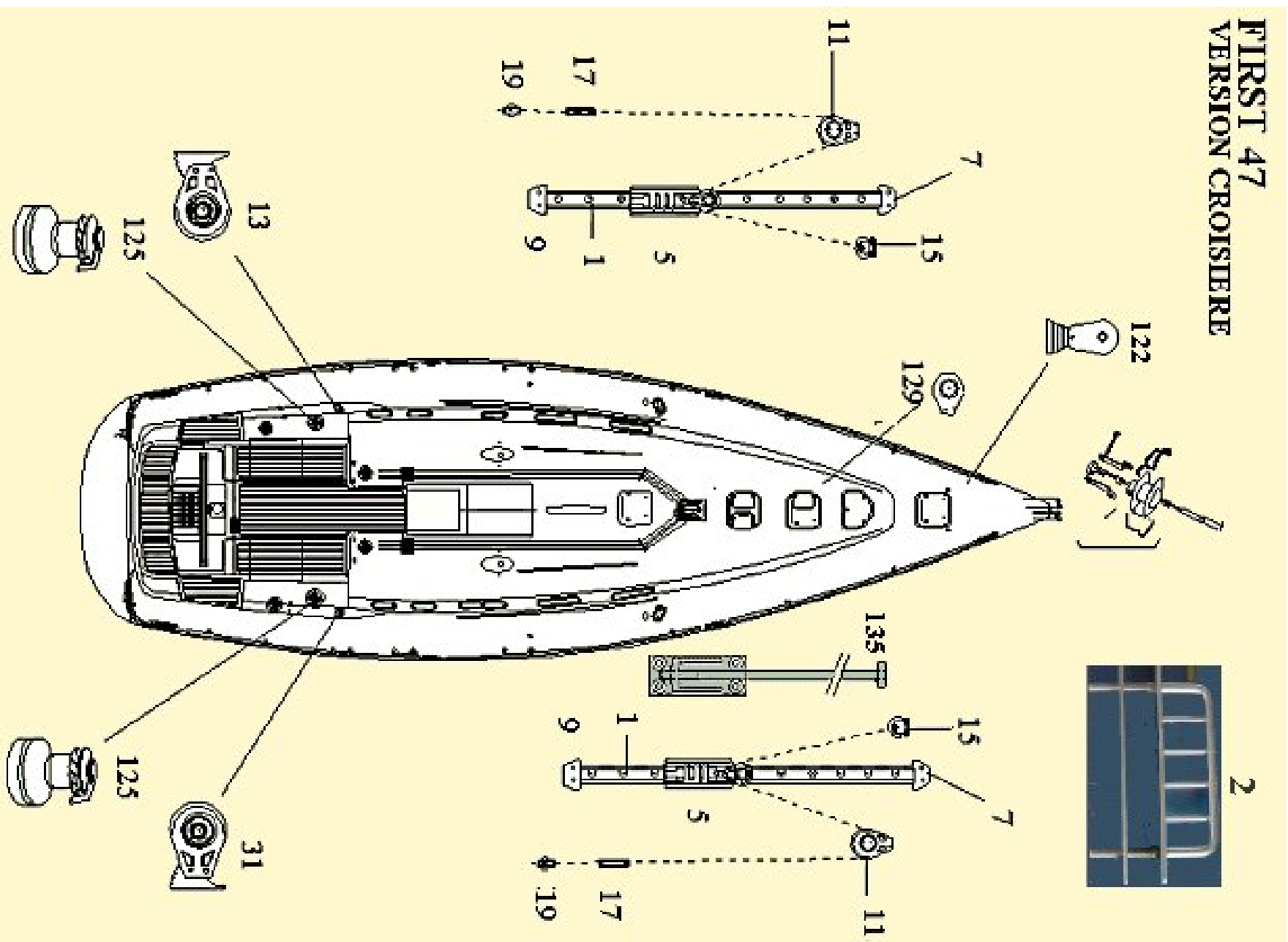
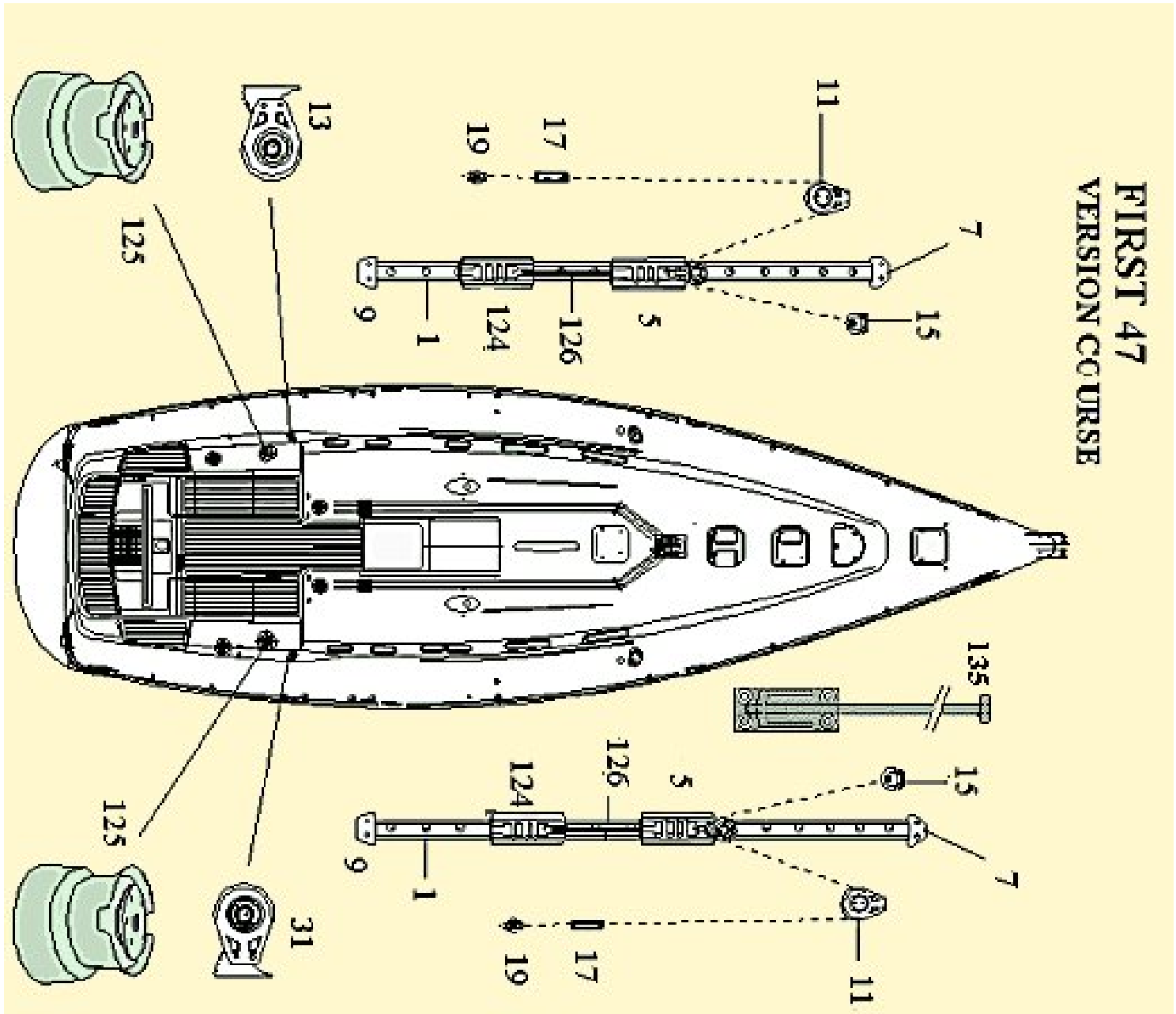


RUNNING RIGGING DECK GEAR

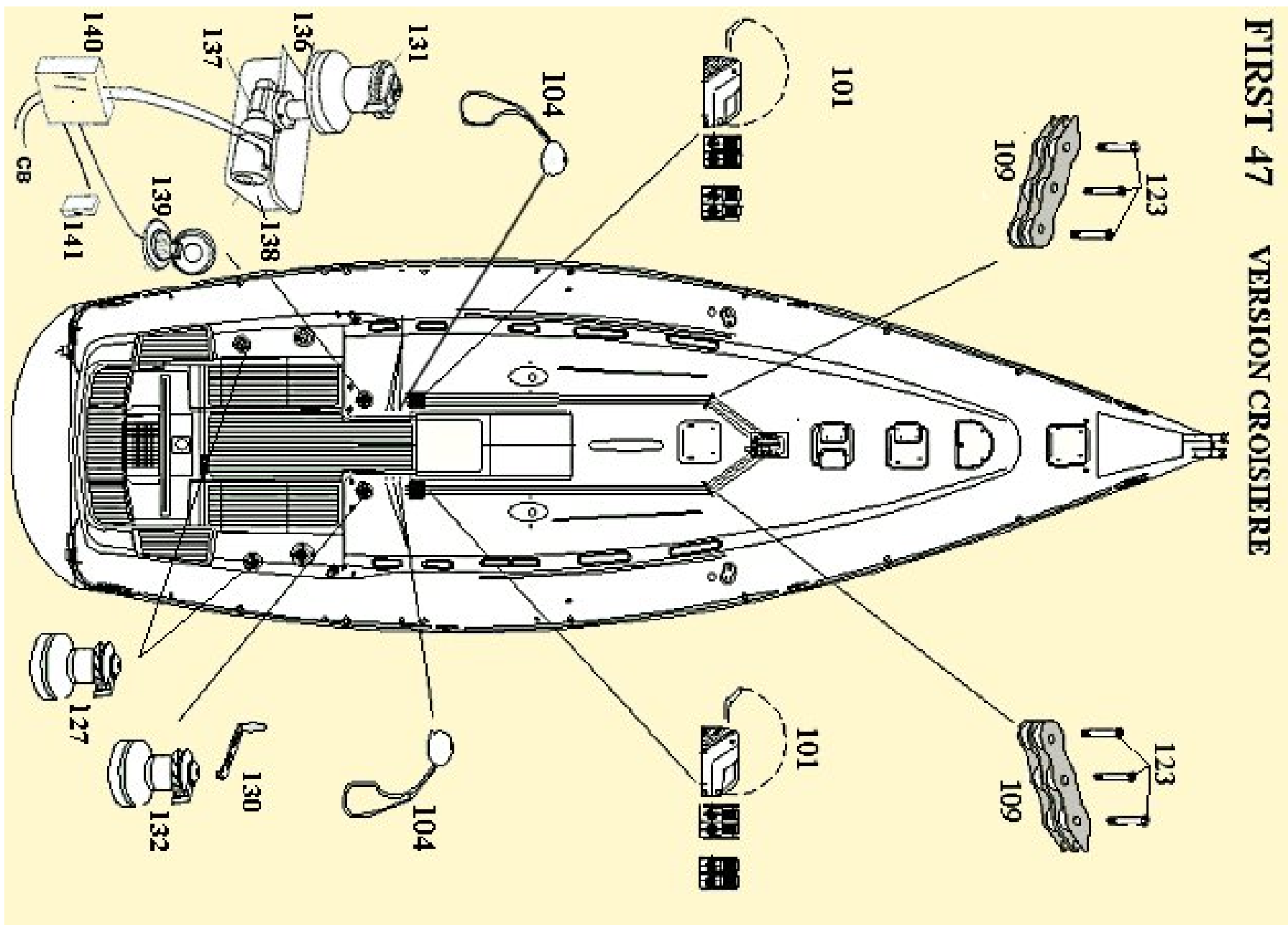
FIRST 47  
VERSION CROISIERE



RUNNING RIGGING DECK GEAR

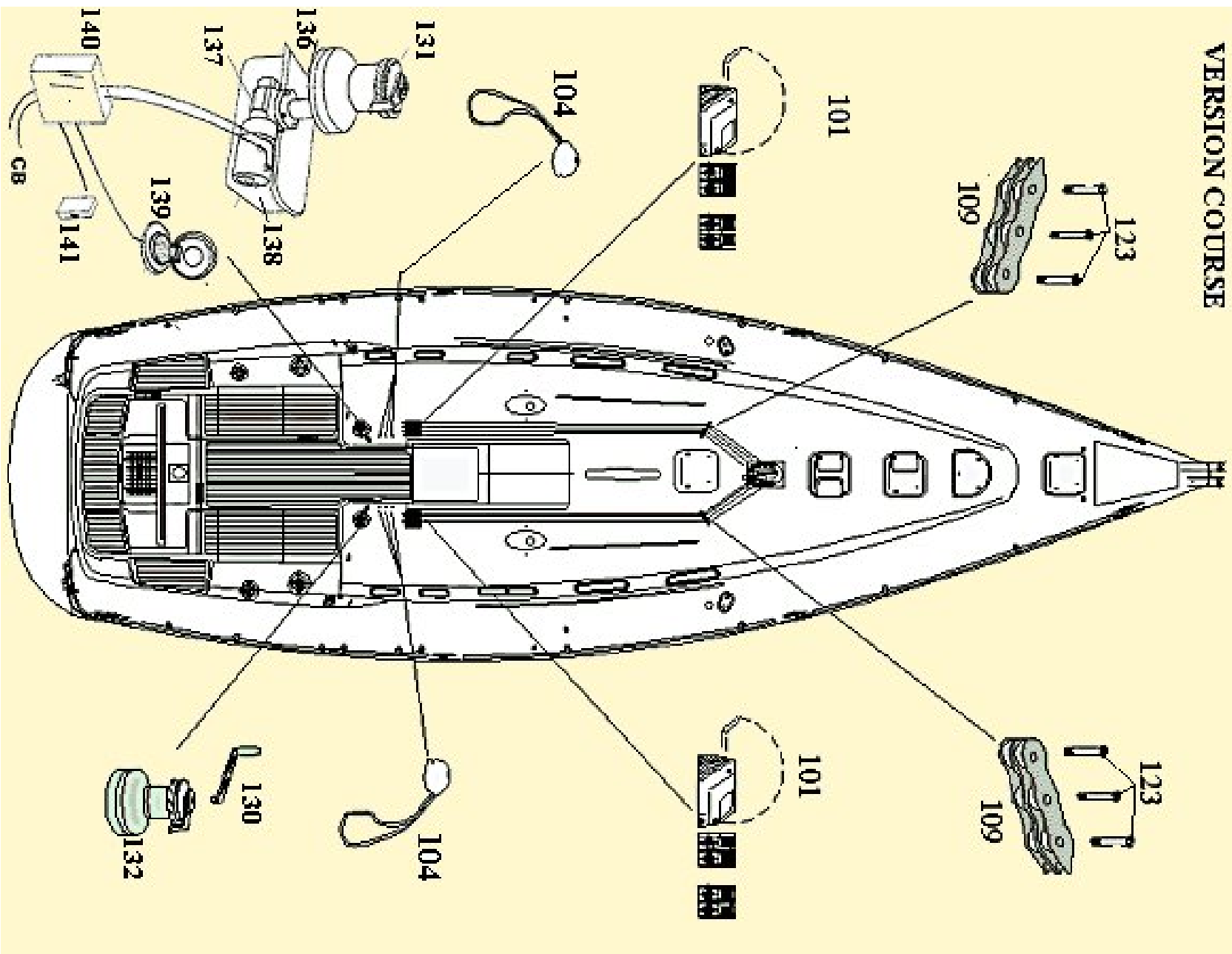


RUNNING RIGGING DECK GEAR



RUNNING RIGGING DECK GEAR

FIRST 47  
VERSION COURSE

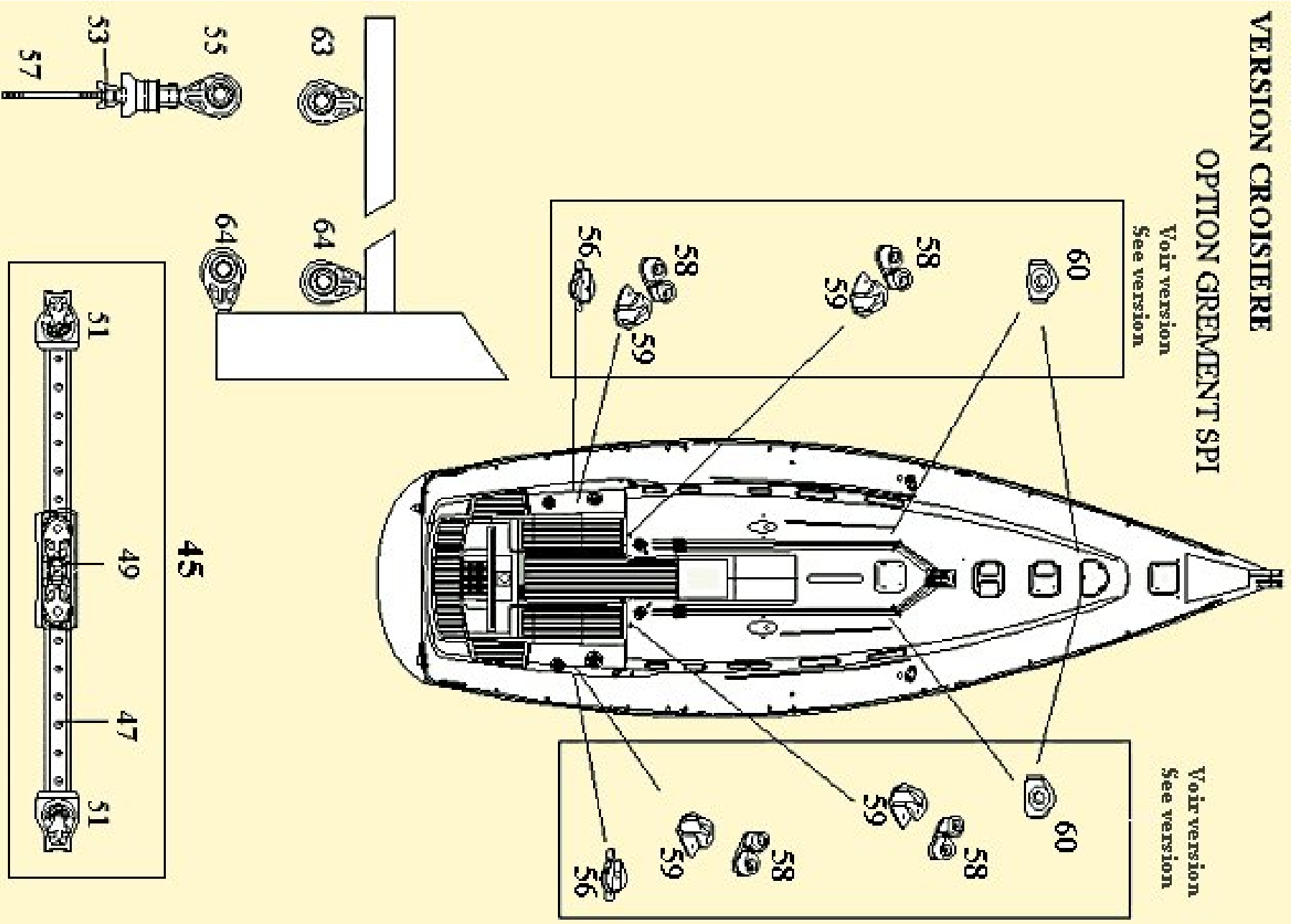


**FIRST 47**  
**VERSION CROISIERE**

**OPTON GREEMENT SPI**

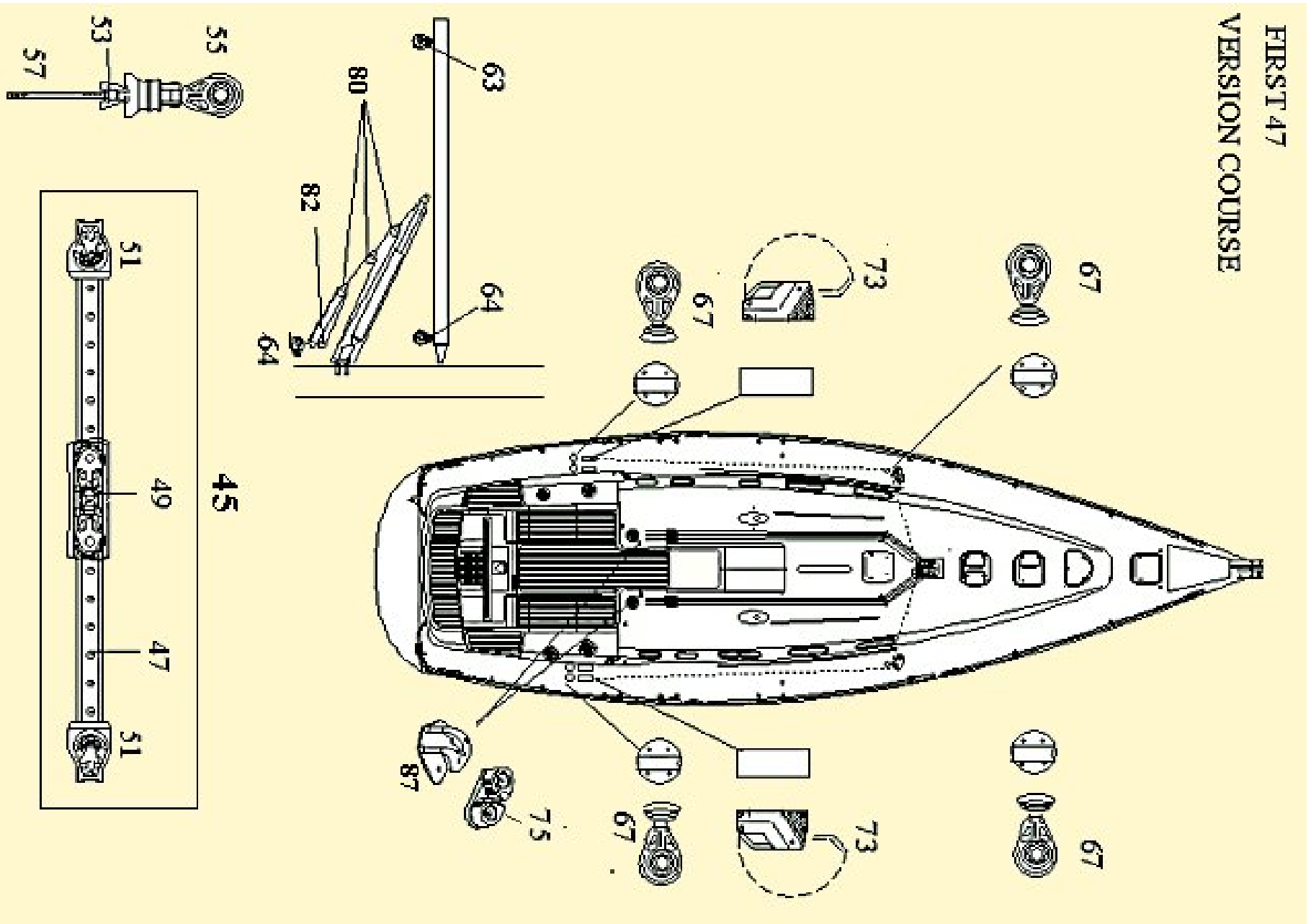
Voir version  
See version

Voir version  
See version

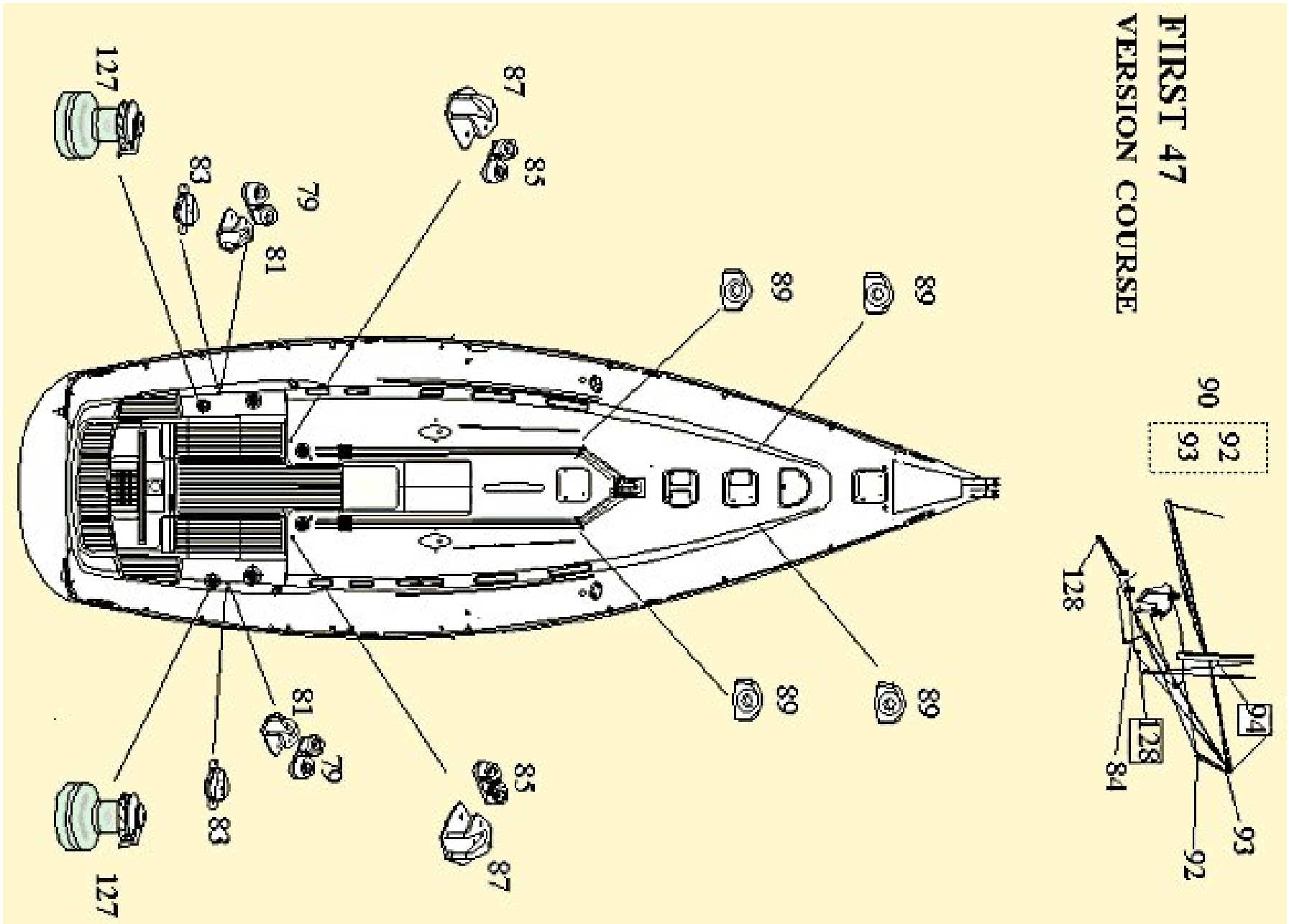


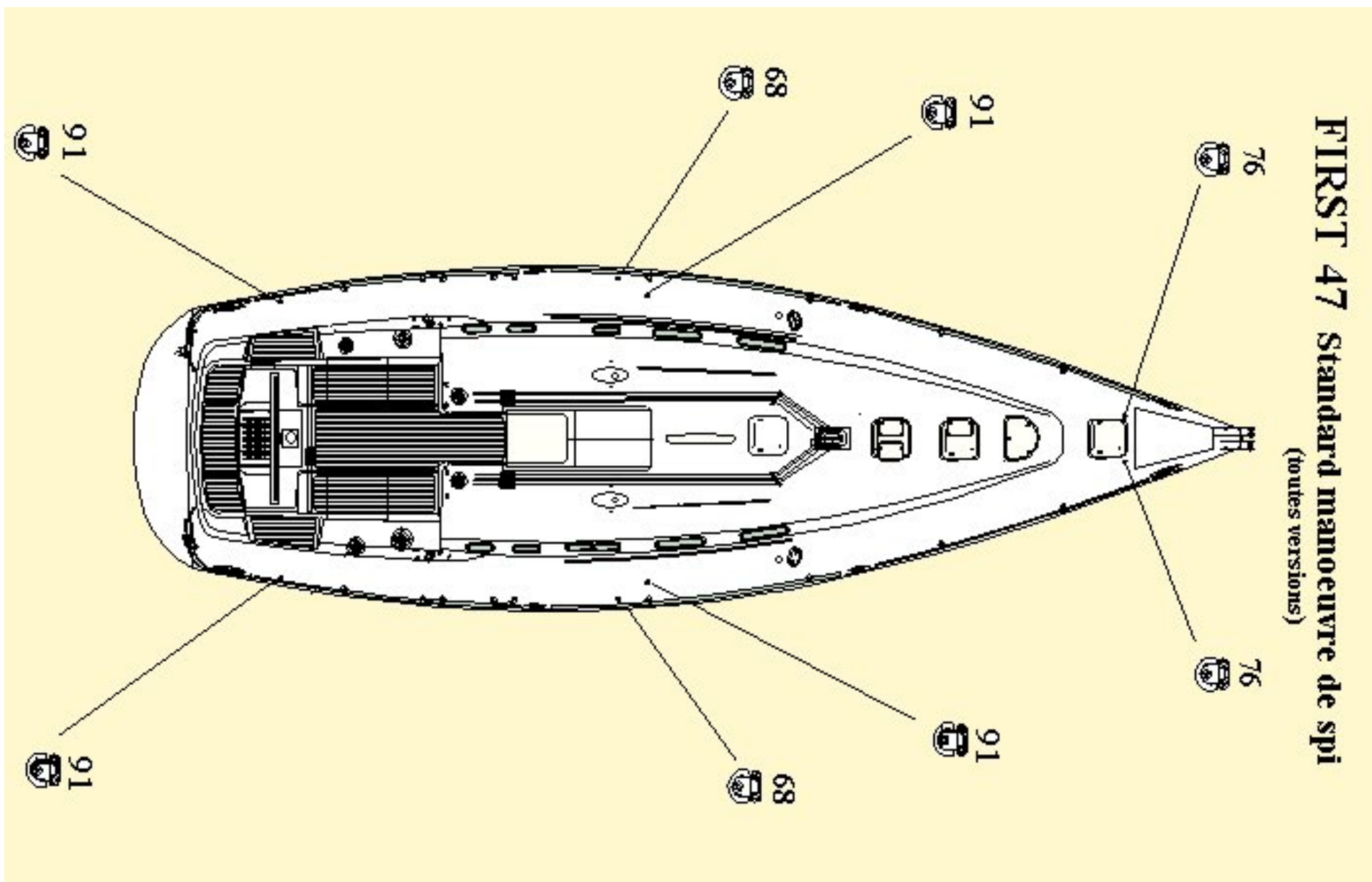
RUNNING RIGGING DECK GEAR

FIRST 47  
VERSION COURSE

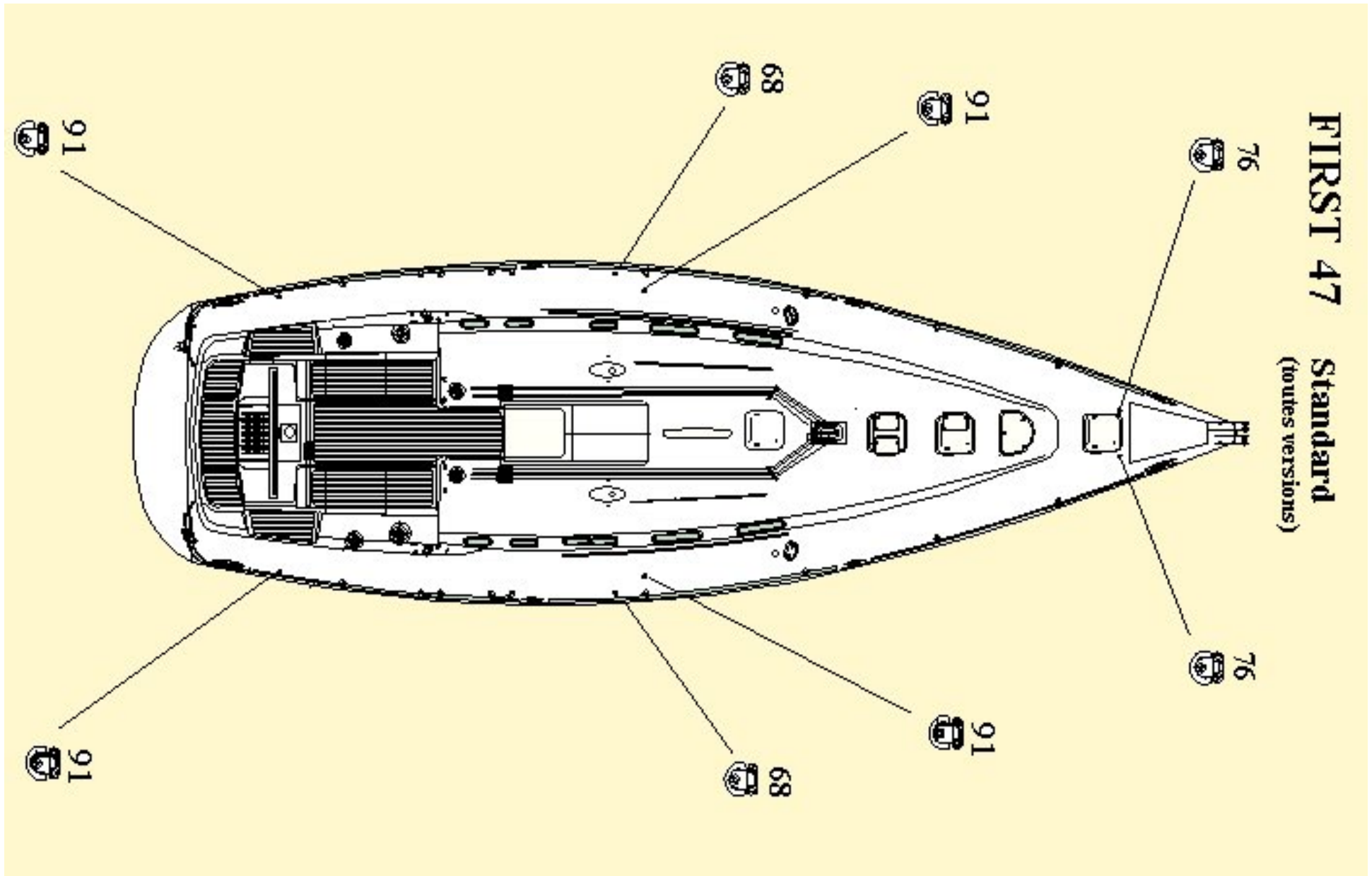


RUNNING RIGGING DECK GEAR





RUNNING RIGGING DECK GEAR



## RUNNING RIGGING DECK GEAR

option	Pos.	Part No.	Description	Quant. per boat	Version / Option	SS_FAM	Begining hull number	Ending hull number
	1	049556	GENOA TRACK L3500 T2 ALONE	2,000	VERSION REGATE			
	1	049556	GENOA TRACK L3500 T2 ALONE	2,000	VOILES CROISIERE			
	2	163400	S S PARTNER DECK PLATE	1,000	VERSION REGATE			
	2	163400	S S PARTNER DECK PLATE	1,000	VOILES CROISIERE			
	3	049557	COMPLEMENT GENOA TRACK L3500 CRUIS PORT	1,000	VERSION REGATE			
	3	049557	COMPLEMENT GENOA TRACK L3500 CRUIS PORT	1,000	VOILES CROISIERE			
	5	049559	GENOA CAR RACING T2 ! NOT AVAILABLE !	2,000	VERSION REGATE			
	5	049559	GENOA CAR RACING T2 ! NOT AVAILABLE !	2,000	VOILES CROISIERE			
	7	030106	SINGLE T2 GENOA TRACK END	2,000	VERSION REGATE			
	7	030106	SINGLE T2 GENOA TRACK END	2,000	VOILES CROISIERE			
	9	050721	AFT GENOA TRACK END ! NOT AVAILABLE !	2,000	VERSION REGATE			
	9	051593	EMB IMPACT GENOIS RAC T2 ALU	2,000	VERSION REGATE			
	9	050721	AFT GENOA TRACK END ! NOT AVAILABLE !	2,000	VOILES CROISIERE			
	9	051593	EMB IMPACT GENOIS RAC T2 ALU	2,000	VOILES CROISIERE			
	11	034852	SINGLE CHEEK BLOCK D60 LEWMAR OCEAN	2,000	VERSION REGATE			
	11	034852	SINGLE CHEEK BLOCK D60 LEWMAR OCEAN	2,000	VOILES CROISIERE			
	13	049563	FOOT BLOCK GENOA SHEET+PORT JAMMER 80HL	1,000	VERSION REGATE			

## RUNNING RIGGING DECK GEAR

option	Pos.	Part No.	Description	Quant. per boat	Version / Option	SS_FAM	Beginning hull number	Ending hull number
	13	049563	FOOT BLOCK GENOA SHEET+PORT JAMMER 80HL	1,000	VOILES CROISIERE			
	15	003202	ARTICULATED CHAINPLATE D 6 BREAK 2700KG	2,000	VERSION REGATE			
	15	003202	ARTICULATED CHAINPLATE D 6 BREAK 2700KG	2,000	VOILES CROISIERE			
	17	060783	BLACK MANUAL SINGLE XL STOPPER NM	2,000	VERSION REGATE			239
	17	060783	BLACK MANUAL SINGLE XL STOPPER NM	2,000	VERSION REGATE		240	
	17	060783	BLACK MANUAL SINGLE XL STOPPER NM	2,000	VOILES CROISIERE		240	
	17	060783	BLACK MANUAL SINGLE XL STOPPER NM	2,000	VOILES CROISIERE			239
	19	043877	SINGLE BLOCK PLAT 60MM LOW LOAD	2,000	VERSION REGATE			
	19	043877	SINGLE BLOCK PLAT 60MM LOW LOAD	2,000	VOILES CROISIERE			
	21	049641	COMPLEMENT GENOA TRACK L3500 CRUIS STBD	1,000				
	31	049565	FOOT BLOCK GENOA SHEET+STBD JAMMER 80HL	1,000	VERSION REGATE			
	31	049565	FOOT BLOCK GENOA SHEET+STBD JAMMER 80HL	1,000	VOILES CROISIERE			
	45	049573	MAINSAIL TRACK L1900! NOT AVAILABLE !	1,000	VERSION REGATE			
	45	049573	MAINSAIL TRACK L1900! NOT AVAILABLE !	1,000	VOILES CROISIERE			
	47	049575	MAINSAIL TRACK L1900! NOT AVAILABLE !	1,000	VERSION REGATE			
	47	049575	MAINSAIL TRACK L1900! NOT AVAILABLE !	1,000	VOILES CROISIERE			
	49	049576	MAINSHEET TRAV T2 RACING/NOT AVAILABLE	1,000	VERSION REGATE			

## RUNNING RIGGING DECK GEAR

option	Pos.	Part No.	Description	Quant. per boat	Version / Option	SS_FAM	Begining hull number	Ending hull number
	49	049576	MAINSHEET TRAV T2 RACING/NOT AVAILABLE	1,000	VOILES CROISIERE			
	51	049577	MAINSAIL TRACK END RACING T2	2,000	VERSION REGATE			
	51	049577	MAINSAIL TRACK END RACING T2	2,000	VOILES CROISIERE			
	53	049578	S S PLATE INSERT RACING T2 LEWMAR	2,000	VERSION REGATE			
	53	049578	S S PLATE INSERT RACING T2 LEWMAR	2,000	VOILES CROISIERE			
	55	051330	DOUBLE BLOCK HR 80MM LEWMAR	1,000	VERSION REGATE			
	55	051330	DOUBLE BLOCK HR 80MM LEWMAR	1,000	VOILES CROISIERE			
	56	011271	HARKEN 132 CHEEK BLOCK	2,000	VOILES CROISIERE			
	57	049814	MAINSAIL TRACK TIE ROD L480 18470	2,000	VERSION REGATE			
	57	049814	MAINSAIL TRACK TIE ROD L480 18470	2,000	VOILES CROISIERE			
	58	851110	HY BEAM 150 CLEAT	4,000	VOILES CROISIERE			
	59	039947	GUIDE HY BEAMM328 CLEAT	4,000	VOILES CROISIERE			
	60	404450	S S RING D16	4,000	VOILES CROISIERE			
	63	051330	DOUBLE BLOCK HR 80MM LEWMAR	1,000	VERSION REGATE			
	63	051330	DOUBLE BLOCK HR 80MM LEWMAR	1,000	VOILES CROISIERE			
	64	035053	LOWER BLOCK RUNNER 18367 IMS	3,000	VERSION REGATE			
	64	035053	LOWER BLOCK RUNNER 18367 IMS	3,000	VOILES CROISIERE			

**RUNNING RIGGING DECK GEAR**

option	Pos.	Part No.	Description	Quant. per boat	Version / Option	SS_FAM	Begining hull number	Ending hull number
	67	051329	SINGLE BLOCK VERTICA! NOT AVAILABLE !	4,000	VERSION REGATE		5	
	68	003203	ARTICULATED CHAINPLATE D 8 BREAK 4500KG	2,000				
	73	060783	BLACK MANUAL SINGLE XL STOPPER NM	2,000	VERSION REGATE		240	
	73	060783	BLACK MANUAL SINGLE XL STOPPER NM	2,000	VERSION REGATE			239
	75	851110	HY BEAM 150 CLEAT	2,000	VERSION REGATE			
	76	003202	ARTICULATED CHAINPLATE D 6 BREAK 2700KG	2,000				
	79	851110	HY BEAM 150 CLEAT	2,000	VERSION REGATE			
	80	023771	SINGLE BLOCK HARKEN 001	3,000	VERSION REGATE			
	81	039947	GUIDE HY BEAMM328 CLEAT	2,000	VERSION REGATE			
	82	023821	DBLE BLOCK HARKEN 003	1,000	VERSION REGATE			
	83	011271	HARKEN 132 CHEEK BLOCK	2,000	VERSION REGATE			
	84	050950	SYST CPLT	2,000	VERSION REGATE			
	85	851110	HY BEAM 150 CLEAT	2,000	VERSION REGATE			
	87	039947	GUIDE HY BEAMM328 CLEAT	2,000	VERSION REGATE			
	89	404450	S S RING D16	4,000	VERSION REGATE			
	90	050948	SPIPOLE DOWNHAUL 18470 SYSTEM COMPLET	1,000	VERSION REGATE			
	91	003204	ARTICULATED CHAINPLATE D10 BREAK 9000KG	4,000				

## RUNNING RIGGING DECK GEAR

option	Pos.	Part No.	Description	Quant. per boat	Version / Option	SS_FAM	Beginning hull number	Ending hull number
	92	034924	SINGLE BLOCK HIGH LOAD 60MM	2,000	VERSION REGATE			
	93	050949	SINGLE BLOCK D60+SNAP W SWIVEL	1,000	VERSION REGATE			
	94	049539	TACKLE JIB SHEET ADJUSTER D 8 L12M	1,000	VERSION REGATE			
	101	060784	MANUAL DOUBLE STOPPER NM	6,000	VOILES CROISIERE			
	101	060784	MANUAL DOUBLE STOPPER NM	6,000	VERSION REGATE			
	104	017923	LINE HANGER PACKAGE	3,000	VERSION REGATE			
	104	017923	LINE HANGER PACKAGE	3,000	VOILES CROISIERE			
	109	050074	CHEEK BLOCK 3 ALU SHEAVES D57 ESP	2,000	VERSION REGATE			
	109	050074	CHEEK BLOCK 3 ALU SHEAVES D57 ESP	2,000	VOILES CROISIERE			
	122	043877	SINGLE BLOCK PLAT 60MM LOW LOAD	1,000	VOILES CROISIERE			
	123	054210	S S HARKEN BOLT 14463	6,000	VOILES CROISIERE		289	
	123	054210	S S HARKEN BOLT 14463	6,000	VERSION REGATE		289	
	123	050757	S S HARKEN BOLT 18470	6,000	VERSION REGATE			288
	123	050757	S S HARKEN BOLT 18470	6,000	VOILES CROISIERE			288
	124	051823	GENOA CAR RACING T2 ! NOT AVAILABLE !	2,000	VERSION REGATE		5	
	124	049559	GENOA CAR RACING T2 ! NOT AVAILABLE !	2,000	VERSION REGATE			4
	125	066660	HARKEN WINCH 55_3 TCR	2,000	VERSION REGATE		289	

## RUNNING RIGGING DECK GEAR

option	Pos.	Part No.	Description	Quant. per boat	Version / Option	SS_FAM	Begining hull number	Ending hull number
	125	962352	PART NO LONGER AVAILABLE	2,000	VOILES CROISIERE		289	
	125	050730	WINCH L 60-3 AOR! NOT AVAILABLE !	2,000	VERSION REGATE			288
	125	025508	WINCH L 58 CSTO! NOT AVAILABLE !	2,000	VOILES CROISIERE			288
	126	049538	EXTENSION VECTRAN DIA 8 L0_40	2,000	VERSION REGATE			
	127	976960	HARKEN WINCH 46_2 STA	2,000	VOILES CROISIERE		289	
	127	968720	HARKEN WINCH 48_2 STA	2,000	VERSION REGATE		289	
	127	053670	WINCH L 48 CSTC! NOT AVAILABLE !	2,000	VOILES CROISIERE			288
	127	044585	ALU WINCH 2V 50 ASTO! NOT AVAILABLE !	2,000	VERSION REGATE			288
	128	042719	SINGLE BLOCK D105 LEWMAR	4,000	VERSION REGATE			
	129	034852	SINGLE CHEEK BLOCK D60 LEWMAR OCEAN	1,000	VOILES CROISIERE			
	130	049555	ALU HANDLE HARKEN B10ASG SPEEDGRIP	3,000	VOILES CROISIERE		289	
	130	581500	LOCKING ALU WINCH HANDLE L254	3,000	VOILES CROISIERE			288
	130	031313	DBLE LOCKING ALU WINCH HANDLE L254	3,000	VERSION REGATE			
	131	976960	HARKEN WINCH 46_2 STA	1,000	VERSION REGATE		289	
	131	066606	HARKEN WINCH 44_2 STACH 12V LEFT	1,000	VOILES CROISIERE		289	
	131	054331	WINCH L 44 ASTC	1,000	VERSION REGATE			288
	131	053669	WINCH L 44 CSTC! NOT AVAILABLE !	1,000	VOILES CROISIERE		73	288

## RUNNING RIGGING DECK GEAR

option	Pos.	Part No.	Description	Quant. per boat	Version / Option	SS_FAM	Beginning hull number	Ending hull number
	132	956806	HARKEN WINCH 44_2 STA	1,000	VOILES CROISIERE		289	
	132	976960	HARKEN WINCH 46_2 STA	2,000	VERSION REGATE		289	
	132	053669	WINCH L 44 CSTC! NOT AVAILABLE !	1,000	VOILES CROISIERE		73	288
	132	054332	WINCH L 48 ASTC! NOT AVAILABLE !	2,000	VERSION REGATE		100	288
	135	055029	GENOA TRACK TIE ROD L1010 18470	1,000	VERSION REGATE		133	
	135	055029	GENOA TRACK TIE ROD L1010 18470	1,000	VOILES CROISIERE		133	
	136	053666	ADAPTOR PLATE WINCH ! NOT AVAILABLE !	1,000	VOILES CROISIERE			
	136	053666	ADAPTOR PLATE WINCH ! NOT AVAILABLE !	1,000	VERSION REGATE			
	137	048960	WINCH MOTOR L 40 ESTO 12V 400KG NM	1,000	VOILES CROISIERE			
	137	048960	WINCH MOTOR L 40 ESTO 12V 400KG NM	1,000	VERSION REGATE			
	138	051676	COVER FIBERGLASS EL ! NOT AVAILABLE !	1,000	VOILES CROISIERE			
	138	051676	COVER FIBERGLASS EL ! NOT AVAILABLE !	1,000	VERSION REGATE		6	
	139	025525	ELECTRICAL CONTACTOR HYD WINCH 3460	1,000	VOILES CROISIERE			
	139	025525	ELECTRICAL CONTACTOR HYD WINCH 3460	1,000	VERSION REGATE			
	140	959587	BOX 1 WINCH EL HARKEN/NOT AVAILABLE	1,000	VERSION REGATE		289	
	140	959587	BOX 1 WINCH EL HARKEN/NOT AVAILABLE	1,000	VOILES CROISIERE		289	
	140	031968	WINCH EL BOX L 44 ES! NOT AVAILABLE !	1,000	VOILES CROISIERE			288

