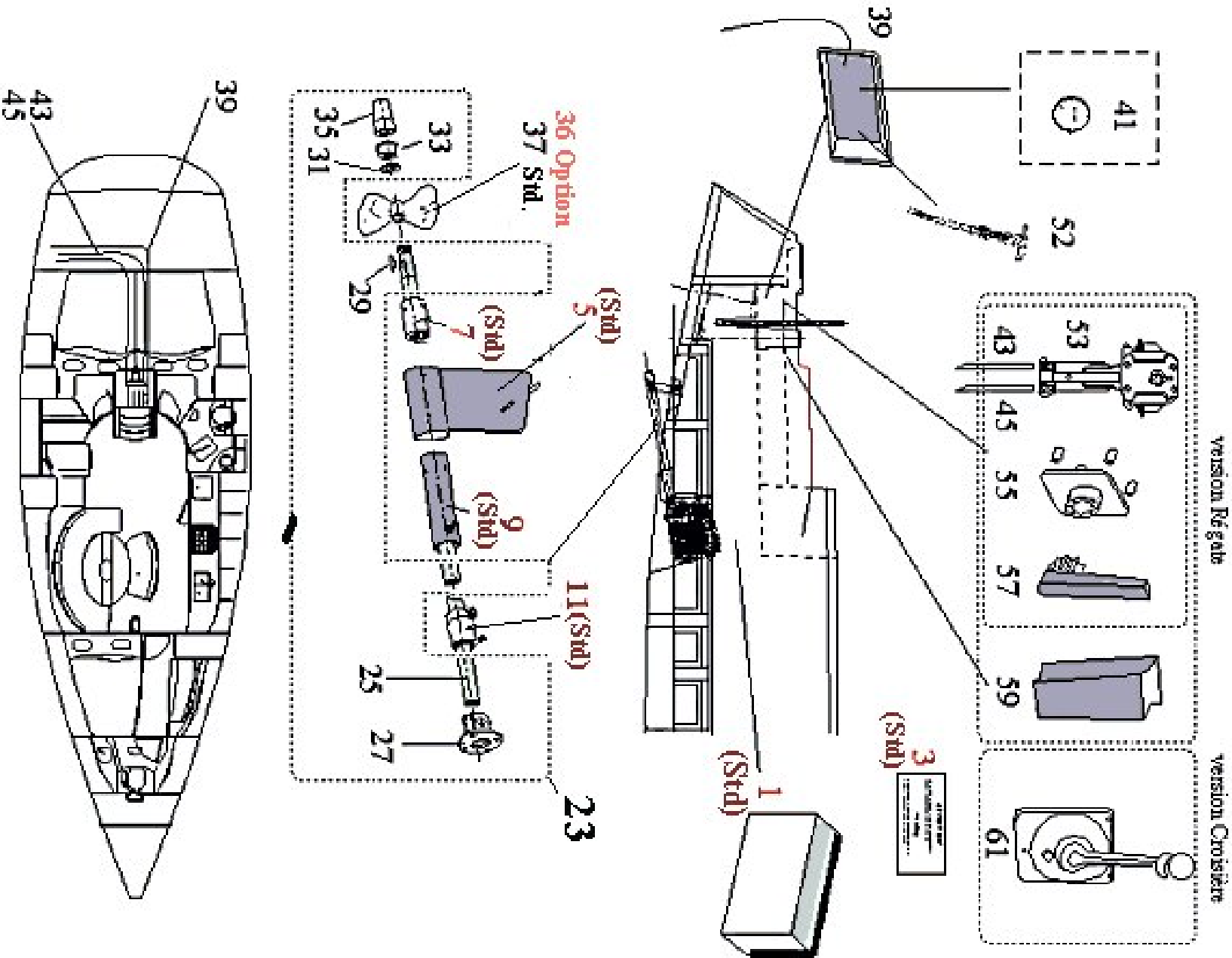


# FIRST 47.7



**PROPULSION SOUNDPROOFING**

option	Pos.	Part No.	Description	Quant. per boat	Version / Option	SS_FAM	Beginning hull number	Ending hull number
	1	026549	INSULATION FOAM FIBERBOARD 120 2 TH 40	2,000				
	3	369700	LABEL DRAINS OF COOLING WATER	1,000				
	5	056131	SUPPORT POLYESTER L400 D30+BEARING	1,000				
	7	059450	DELTRIN NITRILE RING 30X45X120	1,000				
	9	015442	EPOXY STERN TUBE 40 48 L600+VENT	1,000				
	11	718950	PACKING GLAND DIA 30	1,000				
	21	981776	GR_VOLV_D2-75 MS25L 2_3 1	1,000	VOLVO D2- 75 55KW( 75CV)D			
	23	041959	EQUIP PROPELLER D30+TOURT VVCO+L1670	1,000	VOLVO D2- 75 55KW( 75CV)D			
	23	043025	EQUIP PROPELLER SHAFT D30 YKCO L1670	1,000	YANMAR 4JH3HTE 74KW(100 CV)D			279
	23	051222	EQUIP PROPELLER SHAFT D30 NHCO+L1670	1,000	YANMAR 4JH3HTE 74KW(100 CV)D		280	
	23	051222	EQUIP PROPELLER SHAFT D30 NHCO+L1670	1,000	YANMAR 4JH3TE+V4 V.CROISIE RE		280	
	23	051222	EQUIP PROPELLER SHAFT D30 NHCO+L1670	1,000	YANMAR 4JH3TE+V9 V.REGATE		280	
	23	043025	EQUIP PROPELLER SHAFT D30 YKCO L1670	1,000	YANMAR 4JH3HTE+ V4 V.CROISIE RE			279

**PROPULSION SOUNDPROOFING**

option	Pos.	Part No.	Description	Quant. per boat	Version / Option	SS_FAM	Begining hull number	Ending hull number
	23	043025	EQUIP PROPELLER SHAFT D30 YKCO L1670	1,000	YANMAR 4JH3HTE+ V9 V.REGATE			279
	23	041959	EQUIP PROPELLER D30+TOURT VVCO+L1670	1,000	VOLVO TMD22+V4 V.CROISIE RE			
	23	051222	EQUIP PROPELLER SHAFT D30 NHCO+L1670	1,000	YANMAR 4JH3HTE+ V4 V.CROISIE RE		280	
	23	041959	EQUIP PROPELLER D30+TOURT VVCO+L1670	1,000	VOLVO MD22+V4 V.CROISIE RE			
	23	051222	EQUIP PROPELLER SHAFT D30 NHCO+L1670	1,000	YANMAR 4JH3HTE+ V9 V.REGATE		280	
	23	041959	EQUIP PROPELLER D30+TOURT VVCO+L1670	1,000	VOLVO D2- 55 40KW( 55CV)D			
	23	043025	EQUIP PROPELLER SHAFT D30 YKCO L1670	1,000	YANMAR 4JH3TE+V9 V.REGATE			279
	23	041959	EQUIP PROPELLER D30+TOURT VVCO+L1670	1,000	VOLVO D2- 55 40KW( 55CV)D			
	23	043025	EQUIP PROPELLER SHAFT D30 YKCO L1670	1,000	YANMAR 4JH3E+V9 V.REGATE			
	23	041959	EQUIP PROPELLER D30+TOURT VVCO+L1670	1,000	VOLVO TMD22+V9 V.REGATE			
	23	041959	EQUIP PROPELLER D30+TOURT VVCO+L1670	1,000	VOLVO MD22+V9 V.REGATE			

**PROPULSION SOUNDPROOFING**

option	Pos.	Part No.	Description	Quant. per boat	Version / Option	SS_FAM	Beginning hull number	Ending hull number
	23	043025	EQUIP PROPELLER SHAFT D30 YKCO L1670	1,000	YANMAR 4JH3TE+V4 V.CROISIE RE			279
	23	043025	EQUIP PROPELLER SHAFT D30 YKCO L1670	1,000	YANMAR 4JH3E+V4 V.CROISIE RE			
	25	043026	PROPELLER SHAFT 030X1655 CO CO F16PH	1,000	VOLVO D2- 75 55KW( 75CV)D			
	25	043026	PROPELLER SHAFT 030X1655 CO CO F16PH	1,000	YANMAR 4JH3HTE 74KW(100 CV)D			
	25	043026	PROPELLER SHAFT 030X1655 CO CO F16PH	1,000	VOLVO TMD22+V4 V.CROISIE RE			
	25	043026	PROPELLER SHAFT 030X1655 CO CO F16PH	1,000	VOLVO MD22+V4 V.CROISIE RE			
	25	043026	PROPELLER SHAFT 030X1655 CO CO F16PH	1,000	VOLVO TMD22+V9 V.REGATE			
	25	043026	PROPELLER SHAFT 030X1655 CO CO F16PH	1,000	VOLVO D2- 55 40KW( 55CV)D			
	25	043026	PROPELLER SHAFT 030X1655 CO CO F16PH	1,000	YANMAR 4JH3TE+V9 V.REGATE			
	25	043026	PROPELLER SHAFT 030X1655 CO CO F16PH	1,000	YANMAR 4JH3HTE+ V9 V.REGATE			
	25	043026	PROPELLER SHAFT 030X1655 CO CO F16PH	1,000	VOLVO D2- 55 40KW( 55CV)D			

**PROPULSION SOUNDPROOFING**

option	Pos.	Part No.	Description	Quant. per boat	Version / Option	SS_FAM	Beginning hull number	Ending hull number
	25	043026	PROPELLER SHAFT 030X1655 CO CO F16PH	1,000	YANMAR 4JH3E+V9 V.REGATE			
	25	043026	PROPELLER SHAFT 030X1655 CO CO F16PH	1,000	VOLVO MD22+V9 V.REGATE			
	25	043026	PROPELLER SHAFT 030X1655 CO CO F16PH	1,000	YANMAR 4JH3E+V4 V.CROISIE RE			
	25	043026	PROPELLER SHAFT 030X1655 CO CO F16PH	1,000	YANMAR 4JH3TE+V4 V.CROISIE RE			
	25	043026	PROPELLER SHAFT 030X1655 CO CO F16PH	1,000	YANMAR 4JH3HTE+ V4 V.CROISIE RE			
	27	042988	COUPLING PLATE D30 CO VOLVO MS2	1,000	VOLVO D2- 75 55KW( 75CV)D			
	27	042985	COUPLING PLATE 30 CO HURT HBW250	1,000	YANMAR 4JH3HTE 74KW(100 CV)D		280	
	27	042987	COUPLING PLATE 30 CO YANMAR KM4A	1,000	YANMAR 4JH3HTE 74KW(100 CV)D			279
	27	042985	COUPLING PLATE 30 CO HURT HBW250	1,000	YANMAR 4JH3HTE+ V4 V.CROISIE RE		280	
	27	042985	COUPLING PLATE 30 CO HURT HBW250	1,000	YANMAR 4JH3HTE+ V9 V.REGATE		280	

**PROPULSION SOUNDPROOFING**

option	Pos.	Part No.	Description	Quant. per boat	Version / Option	SS_FAM	Beginning hull number	Ending hull number
	27	042985	COUPLING PLATE 30 CO HURT HBW250	1,000	YANMAR 4JH3TE+V4 V.CROISIE RE		280	
	27	042985	COUPLING PLATE 30 CO HURT HBW250	1,000	YANMAR 4JH3TE+V9 V.REGATE		280	
	27	042987	COUPLING PLATE 30 CO YANMAR KM4A	1,000	YANMAR 4JH3TE+V4 V.CROISIE RE			279
	27	042987	COUPLING PLATE 30 CO YANMAR KM4A	1,000	YANMAR 4JH3TE+V9 V.REGATE			279
	27	042988	COUPLING PLATE D30 CO VOLVO MS2	1,000	VOLVO D2- 55 40KW( 55CV)D			
	27	042987	COUPLING PLATE 30 CO YANMAR KM4A	1,000	YANMAR 4JH3HTE+ V9 V.REGATE			279
	27	042988	COUPLING PLATE D30 CO VOLVO MS2	1,000	VOLVO D2- 55 40KW( 55CV)D			
	27	042988	COUPLING PLATE D30 CO VOLVO MS2	1,000	VOLVO MD22+V9 V.REGATE			
	27	042988	COUPLING PLATE D30 CO VOLVO MS2	1,000	VOLVO TMD22+V9 V.REGATE			
	27	042987	COUPLING PLATE 30 CO YANMAR KM4A	1,000	YANMAR 4JH3E+V9 V.REGATE			
	27	042987	COUPLING PLATE 30 CO YANMAR KM4A	1,000	YANMAR 4JH3HTE+ V4 V.CROISIE RE			279

**PROPULSION SOUNDPROOFING**

option	Pos.	Part No.	Description	Quant. per boat	Version / Option	SS_FAM	Beginning hull number	Ending hull number
	27	042987	COUPLING PLATE 30 CO YANMAR KM4A	1,000	YANMAR 4JH3E+V4 V.CROISIE RE			
	27	042988	COUPLING PLATE D30 CO VOLVO MS2	1,000	VOLVO TMD22+V4 V.CROISIE RE			
	27	042988	COUPLING PLATE D30 CO VOLVO MS2	1,000	VOLVO MD22+V4 V.CROISIE RE			
	29	040596	KEY PROPELLER SHAFT D30	1,000	VOLVO D2- 75 55KW( 75CV)D			
	29	040596	KEY PROPELLER SHAFT D30	1,000	YANMAR 4JH3HTE 74KW(100 CV)D			
	29	040596	KEY PROPELLER SHAFT D30	1,000	VOLVO D2- 55 40KW( 55CV)D			
	29	040596	KEY PROPELLER SHAFT D30	1,000	YANMAR 4JH3TE+V9 V.REGATE			
	29	040596	KEY PROPELLER SHAFT D30	1,000	VOLVO D2- 55 40KW( 55CV)D			
	29	040596	KEY PROPELLER SHAFT D30	1,000	VOLVO TMD22+V9 V.REGATE			
	29	040596	KEY PROPELLER SHAFT D30	1,000	YANMAR 4JH3HTE+ V9 V.REGATE			
	29	040596	KEY PROPELLER SHAFT D30	1,000	YANMAR 4JH3E+V9 V.REGATE			

**PROPULSION SOUNDPROOFING**

option	Pos.	Part No.	Description	Quant. per boat	Version / Option	SS_FAM	Begining hull number	Ending hull number
	29	040596	KEY PROPELLER SHAFT D30	1,000	VOLVO MD22+V9 V.REGATE			
	29	040596	KEY PROPELLER SHAFT D30	1,000	VOLVO TMD22+V4 V.CROISIE RE			
	29	040596	KEY PROPELLER SHAFT D30	1,000	VOLVO MD22+V4 V.CROISIE RE			
	29	040596	KEY PROPELLER SHAFT D30	1,000	YANMAR 4JH3TE+V4 V.CROISIE RE			
	29	040596	KEY PROPELLER SHAFT D30	1,000	YANMAR 4JH3E+V4 V.CROISIE RE			
	29	040596	KEY PROPELLER SHAFT D30	1,000	YANMAR 4JH3HTE+ V4 V.CROISIE RE			
	31	020975	STOP WASHER D30 PROPELLER	1,000	VOLVO D2- 75 55KW( 75CV)D			
	31	020975	STOP WASHER D30 PROPELLER	1,000	YANMAR 4JH3HTE 74KW(100 CV)D			
	31	020975	STOP WASHER D30 PROPELLER	1,000	YANMAR 4JH3TE+V9 V.REGATE			
	31	020975	STOP WASHER D30 PROPELLER	1,000	VOLVO MD22+V9 V.REGATE			

**PROPULSION SOUNDPROOFING**

option	Pos.	Part No.	Description	Quant. per boat	Version / Option	SS_FAM	Begining hull number	Ending hull number
	31	020975	STOP WASHER D30 PROPELLER	1,000	YANMAR 4JH3HTE+ V9 V.REGATE			
	31	020975	STOP WASHER D30 PROPELLER	1,000	VOLVO TMD22+V9 V.REGATE			
	31	020975	STOP WASHER D30 PROPELLER	1,000	VOLVO D2- 55 40KW( 55CV)D			
	31	020975	STOP WASHER D30 PROPELLER	1,000	YANMAR 4JH3HTE+ V4 V.CROISIE RE			
	31	020975	STOP WASHER D30 PROPELLER	1,000	YANMAR 4JH3E+V4 V.CROISIE RE			
	31	020975	STOP WASHER D30 PROPELLER	1,000	VOLVO MD22+V4 V.CROISIE RE			
	31	020975	STOP WASHER D30 PROPELLER	1,000	VOLVO TMD22+V4 V.CROISIE RE			
	31	020975	STOP WASHER D30 PROPELLER	1,000	YANMAR 4JH3TE+V4 V.CROISIE RE			
	31	020975	STOP WASHER D30 PROPELLER	1,000	YANMAR 4JH3E+V9 V.REGATE			
	31	020975	STOP WASHER D30 PROPELLER	1,000	VOLVO D2- 55 40KW( 55CV)D			

**PROPULSION SOUNDPROOFING**

option	Pos.	Part No.	Description	Quant. per boat	Version / Option	SS_FAM	Begining hull number	Ending hull number
	33	323900	ANODE NUT D30	1,000	VOLVO D2-75 55KW(75CV)D			
	33	323900	ANODE NUT D30	1,000	YANMAR 4JH3HTE 74KW(100 CV)D			
	33	323900	ANODE NUT D30	1,000	VOLVO MD22+V4 V.CROISIE RE			
	33	323900	ANODE NUT D30	1,000	VOLVO TMD22+V4 V.CROISIE RE			
	33	323900	ANODE NUT D30	1,000	YANMAR 4JH3E+V4 V.CROISIE RE			
	33	323900	ANODE NUT D30	1,000	YANMAR 4JH3TE+V4 V.CROISIE RE			
	33	323900	ANODE NUT D30	1,000	YANMAR 4JH3HTE+V4 V.CROISIE RE			
	33	323900	ANODE NUT D30	1,000	VOLVO MD22+V9 V.REGATE			
	33	323900	ANODE NUT D30	1,000	YANMAR 4JH3HTE+V9 V.REGATE			
	33	323900	ANODE NUT D30	1,000	VOLVO D2-55 40KW(55CV)D			

**PROPULSION SOUNDPROOFING**

option	Pos.	Part No.	Description	Quant. per boat	Version / Option	SS_FAM	Beginning hull number	Ending hull number
	33	323900	ANODE NUT D30	1,000	VOLVO D2-55 40KW(55CV)D			
	33	323900	ANODE NUT D30	1,000	VOLVO TMD22+V9 V.REGATE			
	33	323900	ANODE NUT D30	1,000	YANMAR 4JH3TE+V9 V.REGATE			
	33	323900	ANODE NUT D30	1,000	YANMAR 4JH3E+V9 V.REGATE			
	35	015798	ANODE D30 CONICAL	1,000	VOLVO D2-75 55KW(75CV)D			
	35	015798	ANODE D30 CONICAL	1,000	YANMAR 4JH3HTE 74KW(100 CV)D			
	35	015798	ANODE D30 CONICAL	1,000	YANMAR 4JH3HTE+V9 V.REGATE			
	35	015798	ANODE D30 CONICAL	1,000	YANMAR 4JH3E+V9 V.REGATE			
	35	015798	ANODE D30 CONICAL	1,000	VOLVO MD22+V9 V.REGATE			
	35	015798	ANODE D30 CONICAL	1,000	VOLVO TMD22+V9 V.REGATE			
	35	015798	ANODE D30 CONICAL	1,000	YANMAR 4JH3TE+V9 V.REGATE			
	35	015798	ANODE D30 CONICAL	1,000	VOLVO D2-55 40KW(55CV)D			

**PROPULSION SOUNDPROOFING**

option	Pos.	Part No.	Description	Quant. per boat	Version / Option	SS_FAM	Beginning hull number	Ending hull number
	35	043500	ANODE D30 PROPELLER SHAFTING	1,000	VOLVO D2-55 40KW(55CV)D			
	35	043500	ANODE D30 PROPELLER SHAFTING	1,000	YANMAR 4JH3E+V4 V.CROISIERE			
	35	043500	ANODE D30 PROPELLER SHAFTING	1,000	VOLVO MD22+V4 V.CROISIERE			
	35	043500	ANODE D30 PROPELLER SHAFTING	1,000	YANMAR 4JH3HTE+V4 V.CROISIERE			
	35	043500	ANODE D30 PROPELLER SHAFTING	1,000	VOLVO TMD22+V4 V.CROISIERE			
	35	043500	ANODE D30 PROPELLER SHAFTING	1,000	YANMAR 4JH3TE+V4 V.CROISIERE			
	36	054243	3-BLADED MAX PROP PROPELLER 530 30	1,000	VOLVO D2-75 55KW(75CV)D			
	36	054243	3-BLADED MAX PROP PROPELLER 530 30	1,000	YANMAR 4JH3HTE 74KW(100 CV)D			
	36	065732	ANODE OGIVE 70 D30 MAX PROP	1,000	VOLVO D2-75 55KW(75CV)D			
	36	065732	ANODE OGIVE 70 D30 MAX PROP	1,000	YANMAR 4JH3HTE 74KW(100 CV)D			

**PROPULSION SOUNDPROOFING**

option	Pos.	Part No.	Description	Quant. per boat	Version / Option	SS_FAM	Begining hull number	Ending hull number
	37	053431	PROP 3 BL 19X17 RH30 E13	1,000	VOLVO D2-75 55KW(75CV)D			
	37	019252	2-BLADE PROPELLOR 20! NOT AVAILABLE !	1,000	YANMAR 4JH3HTE 74KW(100 CV)D			
	37	016383	PROPELLOR 2 BLADES 2! NOT AVAILABLE !	1,000	VOLVO TMD22+V4 V.CROISIE RE			
	37	019252	2-BLADE PROPELLOR 20! NOT AVAILABLE !	1,000	VOLVO MD22+V4 V.CROISIE RE			
	37	505800	TWO-BLADED PROPELLER! NOT AVAILABLE !	1,000	YANMAR 4JH3TE+V4 V.CROISIE RE			
	37	030811	2-BLADED PROPELLER 2! NOT AVAILABLE !	1,000	YANMAR 4JH3E+V4 V.CROISIE RE		5	
	37	019252	2-BLADE PROPELLOR 20! NOT AVAILABLE !	1,000	YANMAR 4JH3HTE+V4 V.CROISIE RE			
	37	517800	FOLDING PROPELLER 21! NOT AVAILABLE !	1,000	YANMAR 4JH3TE+V9 V.REGATE			
	37	016384	PROPELLOR 2 BLADES 2! NOT AVAILABLE !	1,000	VOLVO D2-55 40KW(55CV)D			
	37	054259	FOLDING PROPELLER 20! NOT AVAILABLE !	1,000	YANMAR 4JH3E+V9 V.REGATE		5	

**PROPULSION SOUNDPROOFING**

option	Pos.	Part No.	Description	Quant. per boat	Version / Option	SS_FAM	Beginning hull number	Ending hull number
	37	030874	FOLDING PROPELLER 20! NOT AVAILABLE !	1,000	YANMAR 4JH3HTE+ V9 V.REGATE			
	37	054243	3-BLADED MAX PROP PROPELLER 530 30	1,000	VOLVO D2- 55 40KW( 55CV)D			
	37	054260	PROPELLER 20X15 RH 3! NOT AVAILABLE !	1,000	VOLVO TMD22+V9 V.REGATE			
	37	030874	FOLDING PROPELLER 20! NOT AVAILABLE !	1,000	VOLVO MD22+V9 V.REGATE			
	37	065732	ANODE OGIVE 70 D30 MAX PROP	1,000	VOLVO D2- 55 40KW( 55CV)D			
	38	015798	ANODE D30 CONICAL	1,000	YANMAR 4JH3HTE 74KW(100 CV)D			
	38	015798	ANODE D30 CONICAL	1,000	VOLVO TMD22+V4 V.CROISIE RE			
	38	015798	ANODE D30 CONICAL	1,000	YANMAR 4JH3E+V4 V.CROISIE RE			
	38	015798	ANODE D30 CONICAL	1,000	YANMAR 4JH3HTE+ V4 V.CROISIE RE			
	38	015798	ANODE D30 CONICAL	1,000	YANMAR 4JH3TE+V4 V.CROISIE RE			

**PROPULSION SOUNDPROOFING**

option	Pos.	Part No.	Description	Quant. per boat	Version / Option	SS_FAM	Begining hull number	Ending hull number
	38	015798	ANODE D30 CONICAL	1,000	VOLVO MD22+V4 V.CROISIE RE			
	38	015798	ANODE D30 CONICAL	1,000	YANMAR 4JH3E+V9 V.REGATE			
	38	015798	ANODE D30 CONICAL	1,000	YANMAR 4JH3HTE+ V9 V.REGATE			
	38	015798	ANODE D30 CONICAL	1,000	YANMAR 4JH3TE+V9 V.REGATE			
	38	015798	ANODE D30 CONICAL	1,000	VOLVO MD22+V9 V.REGATE			
	38	015798	ANODE D30 CONICAL	1,000	VOLVO TMD22+V9 V.REGATE			
	39	022673	EL HARNESS GAUGE+HOU! NOT AVAILABLE !	1,000	VOLVO D2- 75 55KW( 75CV)D			
	39	022670	EL HARNESS GAUGE+HOU! NOT AVAILABLE !	1,000	YANMAR 4JH3HTE 74KW(100 CV)D			
	39	022673	EL HARNESS GAUGE+HOU! NOT AVAILABLE !	1,000	VOLVO TMD22+V4 V.CROISIE RE			
	39	022673	EL HARNESS GAUGE+HOU! NOT AVAILABLE !	1,000	VOLVO MD22+V4 V.CROISIE RE			
	39	022670	EL HARNESS GAUGE+HOU! NOT AVAILABLE !	1,000	YANMAR 4JH3E+V4 V.CROISIE RE			

**PROPULSION SOUNDPROOFING**

option	Pos.	Part No.	Description	Quant. per boat	Version / Option	SS_FAM	Begining hull number	Ending hull number
	39	022670	EL HARNESS GAUGE+HOU! NOT AVAILABLE !	1,000	YANMAR 4JH3TE+V4 V.CROISIE RE			
	39	022670	EL HARNESS GAUGE+HOU! NOT AVAILABLE !	1,000	YANMAR 4JH3HTE+ V4 V.CROISIE RE			
	39	022670	EL HARNESS GAUGE+HOU! NOT AVAILABLE !	1,000	YANMAR 4JH3E+V9 V.REGATE			
	39	022673	EL HARNESS GAUGE+HOU! NOT AVAILABLE !	1,000	VOLVO D2- 55 40KW( 55CV)D			
	39	022670	EL HARNESS GAUGE+HOU! NOT AVAILABLE !	1,000	YANMAR 4JH3HTE+ V9 V.REGATE			
	39	022673	EL HARNESS GAUGE+HOU! NOT AVAILABLE !	1,000	VOLVO D2- 55 40KW( 55CV)D			
	39	022673	EL HARNESS GAUGE+HOU! NOT AVAILABLE !	1,000	VOLVO MD22+V9 V.REGATE			
	39	022670	EL HARNESS GAUGE+HOU! NOT AVAILABLE !	1,000	YANMAR 4JH3TE+V9 V.REGATE			
	39	022673	EL HARNESS GAUGE+HOU! NOT AVAILABLE !	1,000	VOLVO TMD22+V9 V.REGATE			
	41	029250	HOURMETER 12 24V	1,000	YANMAR 4JH3HTE 74KW(100 CV)D			
	41	029250	HOURMETER 12 24V	1,000	YANMAR 4JH3E+V4 V.CROISIE RE			

**PROPULSION SOUNDPROOFING**

option	Pos.	Part No.	Description	Quant. per boat	Version / Option	SS_FAM	Beginning hull number	Ending hull number
	41	029250	HOURMETER 12 24V	1,000	YANMAR 4JH3TE+V4 V.CROISIE RE			
	41	029250	HOURMETER 12 24V	1,000	YANMAR 4JH3HTE+ V4 V.CROISIE RE			
	41	029250	HOURMETER 12 24V	1,000	YANMAR 4JH3HTE+ V9 V.REGATE			
	41	029250	HOURMETER 12 24V	1,000	YANMAR 4JH3E+V9 V.REGATE			
	41	029250	HOURMETER 12 24V	1,000	YANMAR 4JH3TE+V9 V.REGATE			
	43	001087	ENGINE CONTROL CABLE 4-8M 16FT	1,000	VOLVO D2- 75 55KW( 75CV)D			
	43	001091	ENGINE CONTROL CABLE L6000	1,000	YANMAR 4JH3HTE 74KW(100 CV)D			
	43	001091	ENGINE CONTROL CABLE L6000	1,000	YANMAR 4JH3HTE+ V4 V.CROISIE RE			
	43	001087	ENGINE CONTROL CABLE 4-8M 16FT	1,000	VOLVO MD22+V4 V.CROISIE RE			
	43	001091	ENGINE CONTROL CABLE L6000	1,000	YANMAR 4JH3E+V4 V.CROISIE RE			

**PROPULSION SOUNDPROOFING**

option	Pos.	Part No.	Description	Quant. per boat	Version / Option	SS_FAM	Beginning hull number	Ending hull number
	43	001091	ENGINE CONTROL CABLE L6000	1,000	YANMAR 4JH3TE+V4 V.CROISIE RE			
	43	001087	ENGINE CONTROL CABLE 4-8M 16FT	1,000	VOLVO TMD22+V4 V.CROISIE RE			
	43	001087	ENGINE CONTROL CABLE 4-8M 16FT	1,000	VOLVO TMD22+V9 V.REGATE			
	43	001087	ENGINE CONTROL CABLE 4-8M 16FT	1,000	VOLVO MD22+V9 V.REGATE			
	43	001087	ENGINE CONTROL CABLE 4-8M 16FT	1,000	VOLVO D2- 55 40KW( 55CV)D			
	43	001091	ENGINE CONTROL CABLE L6000	1,000	YANMAR 4JH3TE+V9 V.REGATE			
	43	001087	ENGINE CONTROL CABLE 4-8M 16FT	1,000	VOLVO D2- 55 40KW( 55CV)D			
	43	001091	ENGINE CONTROL CABLE L6000	1,000	YANMAR 4JH3E+V9 V.REGATE			
	43	001091	ENGINE CONTROL CABLE L6000	1,000	YANMAR 4JH3HTE+ V9 V.REGATE			
	45	001086	ENGINE CONTROL CABLE L4500	1,000	VOLVO D2- 75 55KW( 75CV)D			
	45	001091	ENGINE CONTROL CABLE L6000	1,000	YANMAR 4JH3HTE 74KW(100 CV)D			

**PROPULSION SOUNDPROOFING**

option	Pos.	Part No.	Description	Quant. per boat	Version / Option	SS_FAM	Beginning hull number	Ending hull number
	45	001091	ENGINE CONTROL CABLE L6000	1,000	YANMAR 4JH3E+V4 V.CROISIE RE			
	45	001091	ENGINE CONTROL CABLE L6000	1,000	YANMAR 4JH3HTE+ V4 V.CROISIE RE			
	45	001086	ENGINE CONTROL CABLE L4500	1,000	VOLVO MD22+V4 V.CROISIE RE			
	45	001086	ENGINE CONTROL CABLE L4500	1,000	VOLVO TMD22+V4 V.CROISIE RE			
	45	001091	ENGINE CONTROL CABLE L6000	1,000	YANMAR 4JH3TE+V4 V.CROISIE RE			
	45	001091	ENGINE CONTROL CABLE L6000	1,000	YANMAR 4JH3HTE+ V9 V.REGATE			
	45	001091	ENGINE CONTROL CABLE L6000	1,000	YANMAR 4JH3TE+V9 V.REGATE			
	45	001086	ENGINE CONTROL CABLE L4500	1,000	VOLVO TMD22+V9 V.REGATE			
	45	001086	ENGINE CONTROL CABLE L4500	1,000	VOLVO MD22+V9 V.REGATE			
	45	001091	ENGINE CONTROL CABLE L6000	1,000	YANMAR 4JH3E+V9 V.REGATE			

