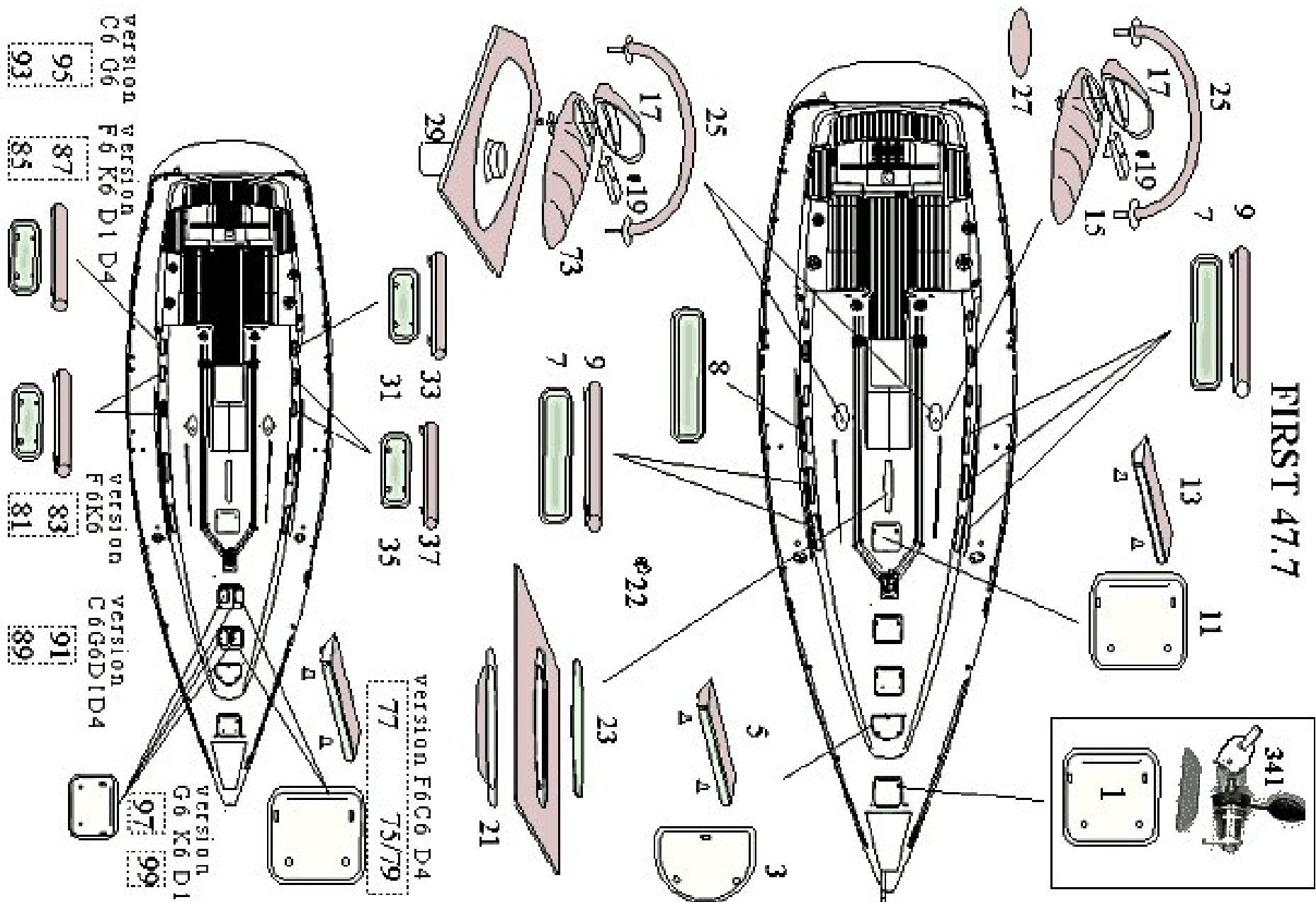
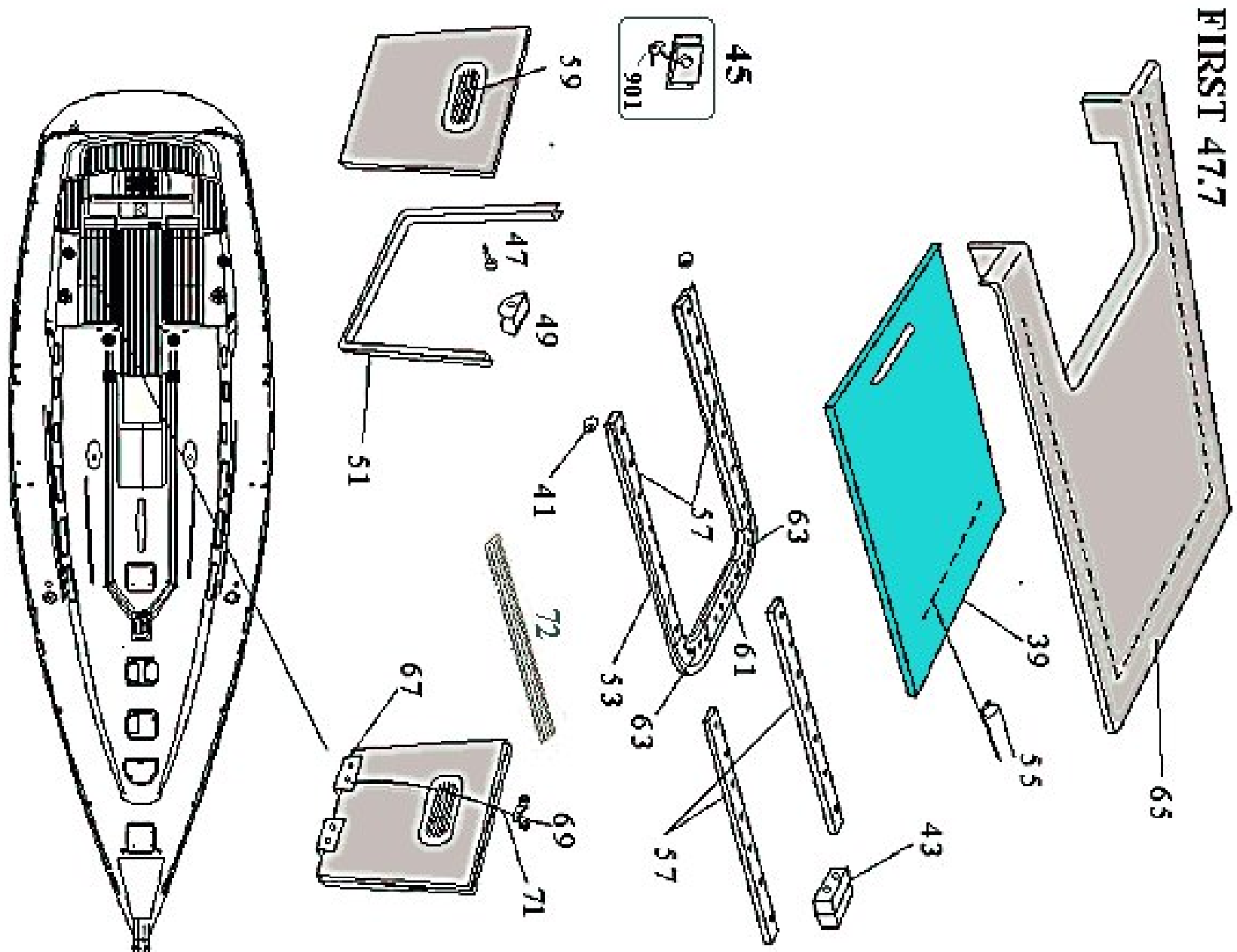


PORTS OPENINGS AND AERATION OF CAOCHROOF



PORTS OPENINGS AND AERATION OF CAOCHROOF



PORTS OPENINGS AND AERATION OF CAOCHROOF

| option | Pos. | Part No. | Description | Quant. per boat | Version / Option | SS_FAM | Begining hull number | Ending hull number |
|--------|------|-----------|---|--------------------|---------------------|--------|-------------------------|-----------------------|
| | 1 | 071888 | OPEN.HATCH 512X512 LP/T44-1+LOCK.GREY LE | 1,000 | | | 76 | |
| | 3 | 049216 | OPEN HATCH 447X588 L! NOT AVAILABLE ! | 1,000 | | | 76 | |
| | 5 | 076604 | BLIND 0500X485 BLC SLR PG | 1,000 | | | | |
| | 7 | 049218 | PORTLIGHT 480X200 T40 OPEN A435 | 5,000 | | | | |
| | 8 | 049218 | PORTLIGHT 480X200 T40 OPEN A435 | 1,000 | | | | |
| | 9 | 066060 | ALU BLIND 450X270 PO! NOT AVAILABLE ! | 6,000 | | | | |
| | 11 | 990556 | OPEN.HATCH 442X442 T44-1 | 1,000 | | | 76 | |
| | 13 | 076604 | BLIND 0500X485 BLC SLR PG | 1,000 | | | | |
| | 15 | 048048 | DORADE VENT 18470 FORE PORT SIDE | 1,000 | | | | |
| | 17 | 030167 | AER ROTO 18427 374 | 2,000 | | | | |
| | 19 | 032047 | S S BOLT U 37X120X2 | 2,000 | | | | |
| | 21 | 049817 | VERINE PMMA OPAQUE 18470 | 1,000 | | | | |
| | 22 | 026397 | AWNING KNOB (CURTAINS) WHITE NYLON | 1,000 | | | | |
| | 23 | 049818 | PMMA LOCKER LIGHT TH! NOT AVAILABLE ! | 1,000 | | | | |
| | 25 | 049781 | S S PROTECT DORADE VENT 18470 | 2,000 | | | | |
| | 27 | 040380 | PLUG STRATIFY D37 WHITE | 1,000 | | | | |
| | 29 | T04120011 | TUBE 80 L 0_11 PVC BLC | 2,000 | | | | |
| | 31 | 030208 | PORTLIGHT 400X200 T30 ATLANTIC | 1,000 | | | | |
| | 33 | 050804 | AL BLIND 350X270 PORTLIGHT SIZE30+40 AM | 1,000 | | | | |
| | 35 | 030208 | PORTLIGHT 400X200 T30 ATLANTIC | 2,000 | | | | |
| | 37 | 050804 | AL BLIND 350X270 PORTLIGHT SIZE30+40 AM | 2,000 | | | | |
| | 39 | 067213 | SLIDING PANEL 732 X 980 18390 | 1,000 | | | 289 | |
| | 39 | 036918 | SLIDING PANEL 732 X ! NOT AVAILABLE ! | 1,000 | | | | 288 |
| | 41 | 012075 | THRUST D20X4_3 H10 BLACK NYL | 2,000 | | | | |

PORTS OPENINGS AND AERATION OF CAOCHROOF

| option | Pos. | Part No. | Description | Quant. per boat | Version / Option | SS_FAM | Beginning hull number | Ending hull number |
|--------|------|----------|---|--------------------|-----------------------------|--------|--------------------------|-----------------------|
| | 43 | 025578 | STOP 60X20X15 2 HOLES D6 NYL | 2,000 | | | | |
| | 45 | 060940 | S S LOCK COMPANIONWAY NM | 1,000 | | | | |
| | 47 | 002334 | S S METRIC SCREW HEX SOCKET HEAD 5X20 | 1,000 | | | | |
| | 49 | 007546 | SLIDING HATCH INTERIOR ALU HANDLE | 1,000 | | | | |
| | 51 | 049752 | ROOF ENTRANCE ALU FR! NOT AVAILABLE ! | 1,000 | | | | |
| | 53 | 043071 | JOINT WATERPROOF ATLANTIC | 3,000 | | | | |
| | 55 | 024025 | RUBBER OMEGA PROFILE STICKY 9X10 | 1,000 | | | | |
| | 57 | 065390 | PVC PROFILE 20X6 L 770 DRILLED+16HOLES | 4,000 | | | 288 | |
| | 57 | 051471 | PVC PROFILE 20X6 L 770 DRILLED | 4,000 | | | | 287 |
| | 59 | 002540 | WHITE VENTILATION SCREEN 200X100 | 1,000 | | | | |
| | 61 | 043622 | PVC PROFILE 20X4 RIGHT L420 | 1,000 | | | | |
| | 63 | 043623 | PVC PROFILE 20X4 BEND | 2,000 | | | | |
| | 65 | 048049 | SLIDING HATCH HOUSIN! NOT AVAILABLE ! | 1,000 | | | | |
| | 67 | 018846 | ALU U PROFILE 25X25 ! NOT AVAILABLE ! | 4,000 | | | | |
| | 69 | 694500 | PADEYE SS PN 2 | 1,000 | | | | |
| | 71 | 332402 | ELASTIC DIA 5_2 2 HOOKS LGTH 300 | 1,000 | | | | |
| | 72 | 066517 | RUBBING STRIP PROFILE SLIDING HATCH | 1,000 | | | 289 | |
| | 73 | 053564 | DORADE VENT 18470 FORE STBD | 1,000 | | | | |
| | 75 | 990556 | OPEN.HATCH 442X442 T44-1 | 2,000 | 1CAV 1T 2CAR 1T ME | | | |
| | 75 | 990556 | OPEN.HATCH 442X442 T44-1 | 2,000 | 1CAV 1T 1CAR 1T ME | | | |
| | 75 | 990556 | OPEN.HATCH 442X442 T44-1 | 2,000 | 1CAV 1T 2CAR 1T CP ME | | | |

PORTS OPENINGS AND AERATION OF CAOCHROOF

| option | Pos. | Part No. | Description | Quant. per boat | Version / Option | SS_FAM | Begining hull number | Ending hull number |
|--------|------|----------|--|--------------------|-----------------------------|--------|-------------------------|-----------------------|
| | 77 | 076604 | BLIND 0500X485 BLC SLR PG | 2,000 | 1CAV 1T 2CAR 1T ME | | | |
| | 77 | 076604 | BLIND 0500X485 BLC SLR PG | 2,000 | 1CAV 1T 2CAR 1T CP ME | | | |
| | 77 | 076604 | BLIND 0500X485 BLC SLR PG | 2,000 | 1CAV 1T 1CAR 1T ME | | | |
| | 79 | 050993 | OPEN HATCH ALU FRAME FOR 049213 | 2,000 | 1CAV 1T 2CAR 1T CP ME | | | |
| | 79 | 050993 | OPEN HATCH ALU FRAME FOR 049213 | 2,000 | 1CAV 1T 1CAR 1T ME | | | |
| | 79 | 050993 | OPEN HATCH ALU FRAME FOR 049213 | 2,000 | 1CAV 1T 2CAR 1T ME | | | |
| | 81 | 030208 | PORTLIGHT 400X200 T30 ATLANTIC | 2,000 | 2CAV 1T 2CAR 1T ME | | | |
| | 81 | 030208 | PORTLIGHT 400X200 T30 ATLANTIC | 2,000 | 1CAV 1T 2CAR 1T ME | | | |
| | 83 | 050804 | AL BLIND 350X270 PORTLIGHT SIZE30+40 AM | 2,000 | 2CAV 1T 2CAR 1T ME | | | |
| | 83 | 050804 | AL BLIND 350X270 PORTLIGHT SIZE30+40 AM | 2,000 | 1CAV 1T 2CAR 1T ME | | | |
| | 85 | 030208 | PORTLIGHT 400X200 T30 ATLANTIC | 1,000 | 1CAV 1T 2CAR 1T CP ME | | | |
| | 85 | 030208 | PORTLIGHT 400X200 T30 ATLANTIC | 1,000 | 2CAV 1T 2CAR 1T CP ME | | | |

PORTS OPENINGS AND AERATION OF CAOCHROOF

| option | Pos. | Part No. | Description | Quant. per boat | Version / Option | SS_FAM | Begining hull number | Ending hull number |
|--------|------|----------|--|--------------------|-----------------------------|--------|-------------------------|-----------------------|
| | 85 | 030208 | PORTLIGHT 400X200 T30 ATLANTIC | 1,000 | 1CAV 1T 2CAR 1T ME | | | |
| | 85 | 030208 | PORTLIGHT 400X200 T30 ATLANTIC | 1,000 | 2CAV 1T 2CAR 1T ME | | | |
| | 87 | 050804 | AL BLIND 350X270 PORTLIGHT SIZE30+40 AM | 1,000 | 1CAV 1T 2CAR 1T CP ME | | | |
| | 87 | 050804 | AL BLIND 350X270 PORTLIGHT SIZE30+40 AM | 1,000 | 2CAV 1T 2CAR 1T CP ME | | | |
| | 87 | 050804 | AL BLIND 350X270 PORTLIGHT SIZE30+40 AM | 1,000 | 1CAV 1T 2CAR 1T ME | | | |
| | 87 | 050804 | AL BLIND 350X270 PORTLIGHT SIZE30+40 AM | 1,000 | 2CAV 1T 2CAR 1T ME | | | |
| | 89 | 030208 | PORTLIGHT 400X200 T30 ATLANTIC | 2,000 | 2CAV 1T 2CAR 1T CP ME | | | |
| | 91 | 050804 | AL BLIND 350X270 PORTLIGHT SIZE30+40 AM | 2,000 | 2CAV 1T 2CAR 1T CP ME | | | |
| | 93 | 030208 | PORTLIGHT 400X200 T30 ATLANTIC | 1,000 | 1CAV 1T 1CAR 1T ME | | | |
| | 93 | 030208 | PORTLIGHT 400X200 T30 ATLANTIC | 1,000 | 2CAV 1T 1CAR 1T ME | | | |
| | 95 | 050804 | AL BLIND 350X270 PORTLIGHT SIZE30+40 AM | 1,000 | 1CAV 1T 1CAR 1T ME | | | |
| | 95 | 050804 | AL BLIND 350X270 PORTLIGHT SIZE30+40 AM | 1,000 | 2CAV 1T 1CAR 1T ME | | | |

