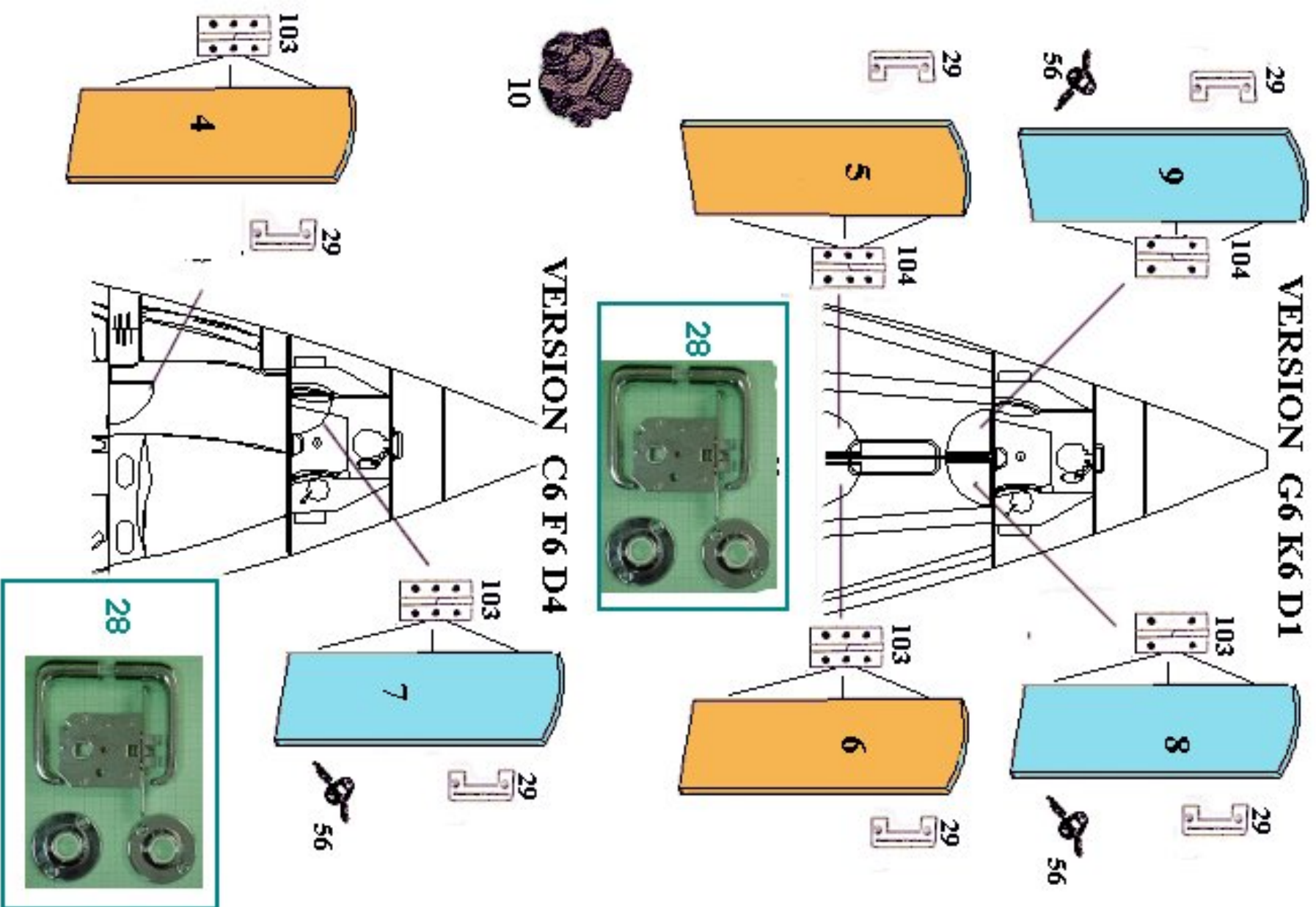
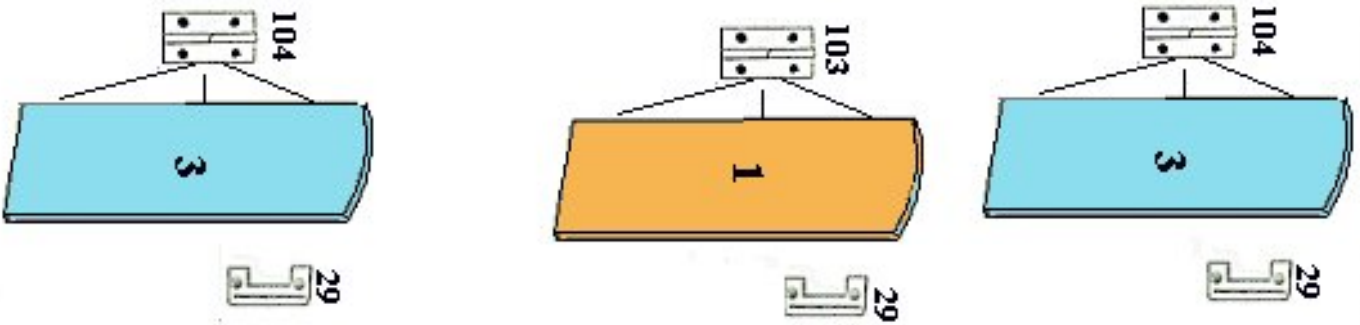


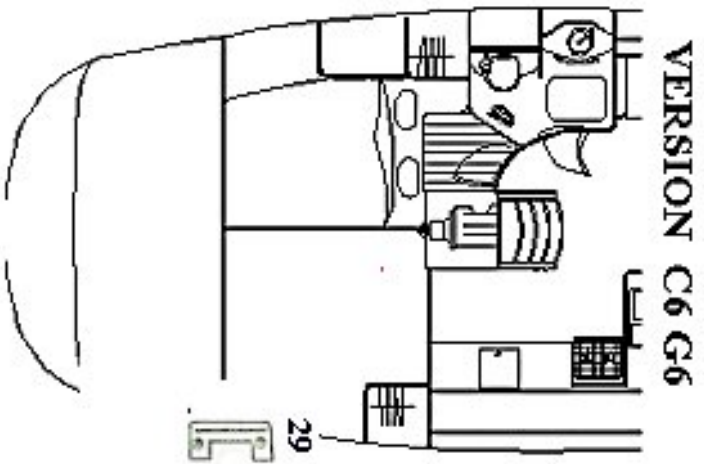
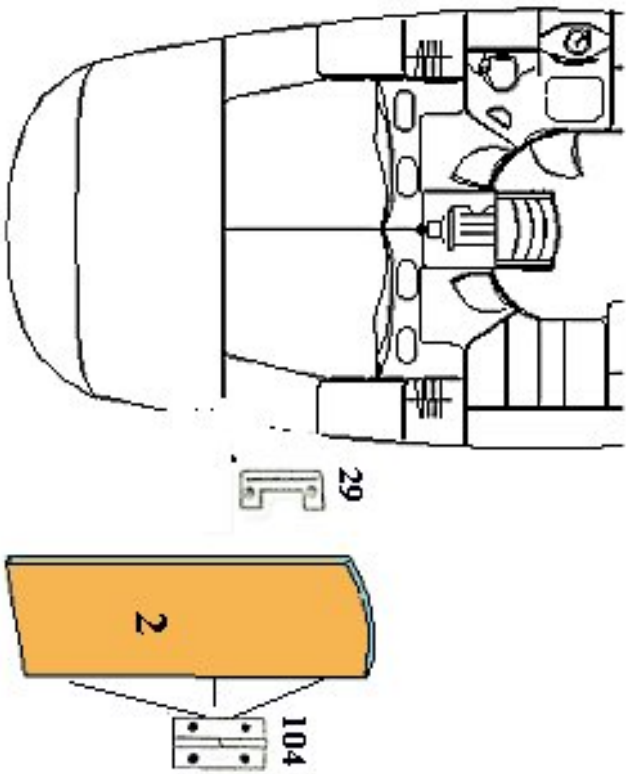
FIRST 47.7



FIRST 47.7



VERSION K6 F6 D1 D4



INTERIOR WOOD

option	Pos.	Part No.	Description	Quant. per boat	Version / Option	SS_FAM	Begining hull number	Ending hull number
	1	W03110	PORT AFT CABIN WOOD DOOR 18470	1,000				
	2	W03111	STBD AFT CABIN WOOD DOOR 18470	1,000				
	3	W03112	AFT BATHROOM DOOR 18470	1,000				
	4	W03118	DOOR W 18470 FWD CAB PORT	1,000				
	5	W03117	DOOR W 18470 FWD CAB PORT	1,000				
	6	W03116	DOOR W 18470 FWD CAB STBD	1,000				
	7	W03113	FWD BATHROOM DOOR 18470	1,000				
	8	W03114	FWD BATHROOM DOOR 18470	1,000				
	9	W03115	FWD BATHROOM DOOR 18470	1,000				
	10	053751	LOCK MINI PUSH-LOCK	4,000				
	28	060882	REVERS CHR CAB LOCK N C	6,000			244	
	28	021907	REVERS CHR CAB LOCK N B	6,000				243
	28	125490	SPRING LOCK MO069TN	6,000			244	
	28	125491	SPRING LOCK MO067	6,000			244	
	28	125492	SPRING LOCK MO068	6,000			244	
	29	015425	S S FOLDED STRIKING PLATE 16X65X1 AM	6,000				
	56	021908	REVERS CAB CHR LOCK N C	2,000				243
	56	060905	REVERS CAB CHR LOCK N C	2,000			244	
	103	006233	CHR BRASS DOOR HINGE (LEFT) 60X40	18,000				
	104	006232	CHR BRASS DOOR HINGE (RIGHT) 60X40	9,000				