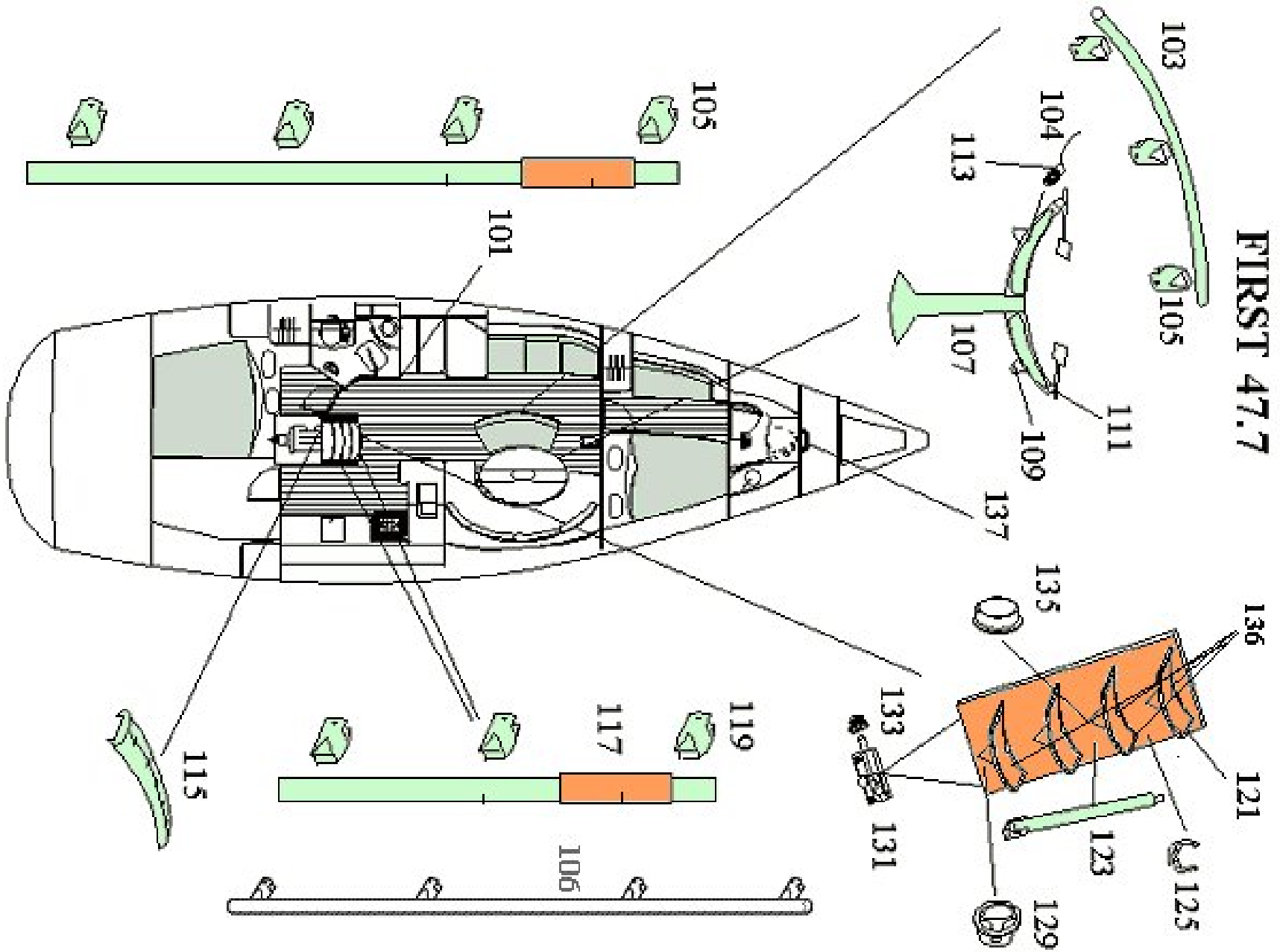
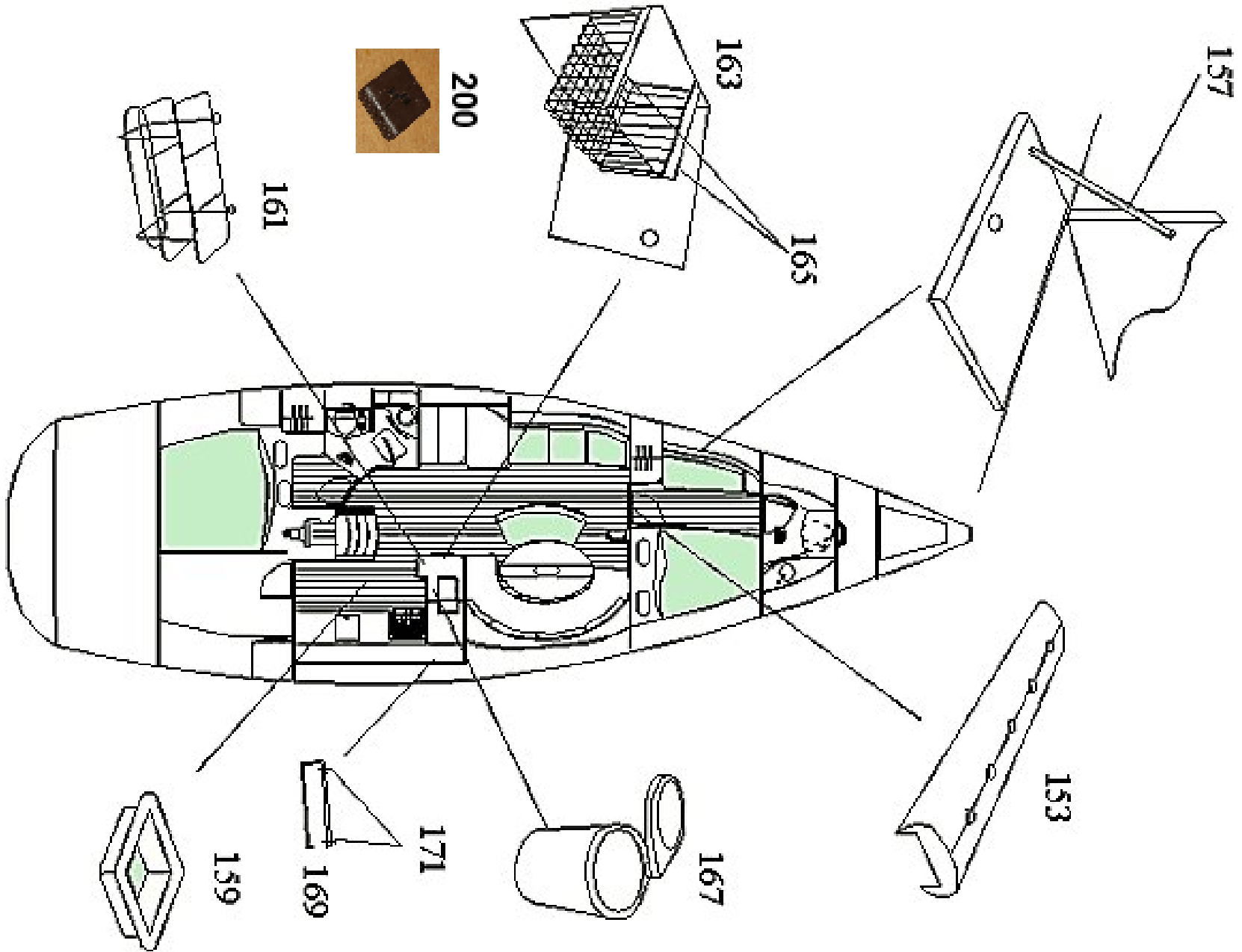


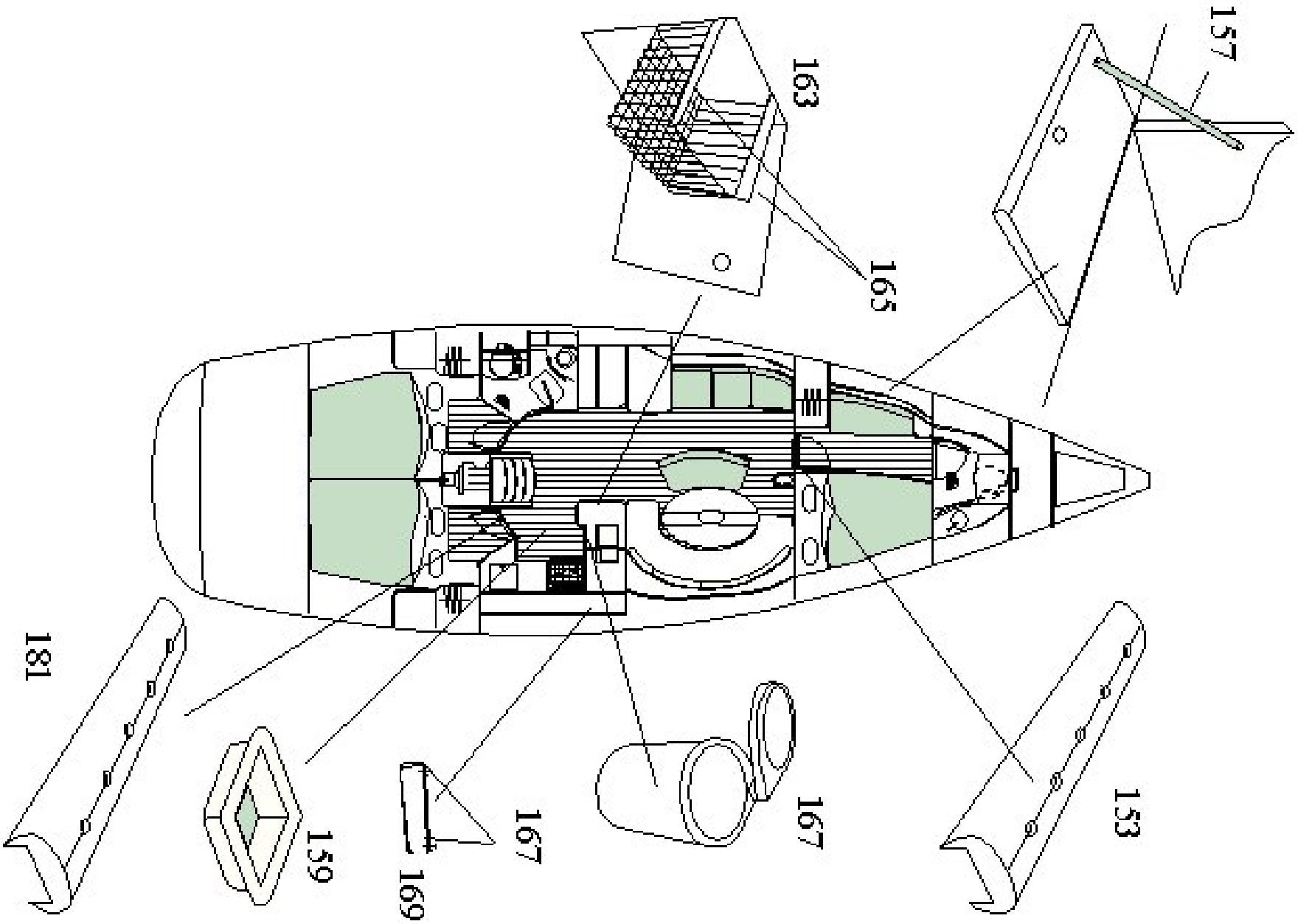
INTERIOR EQUIPMENT



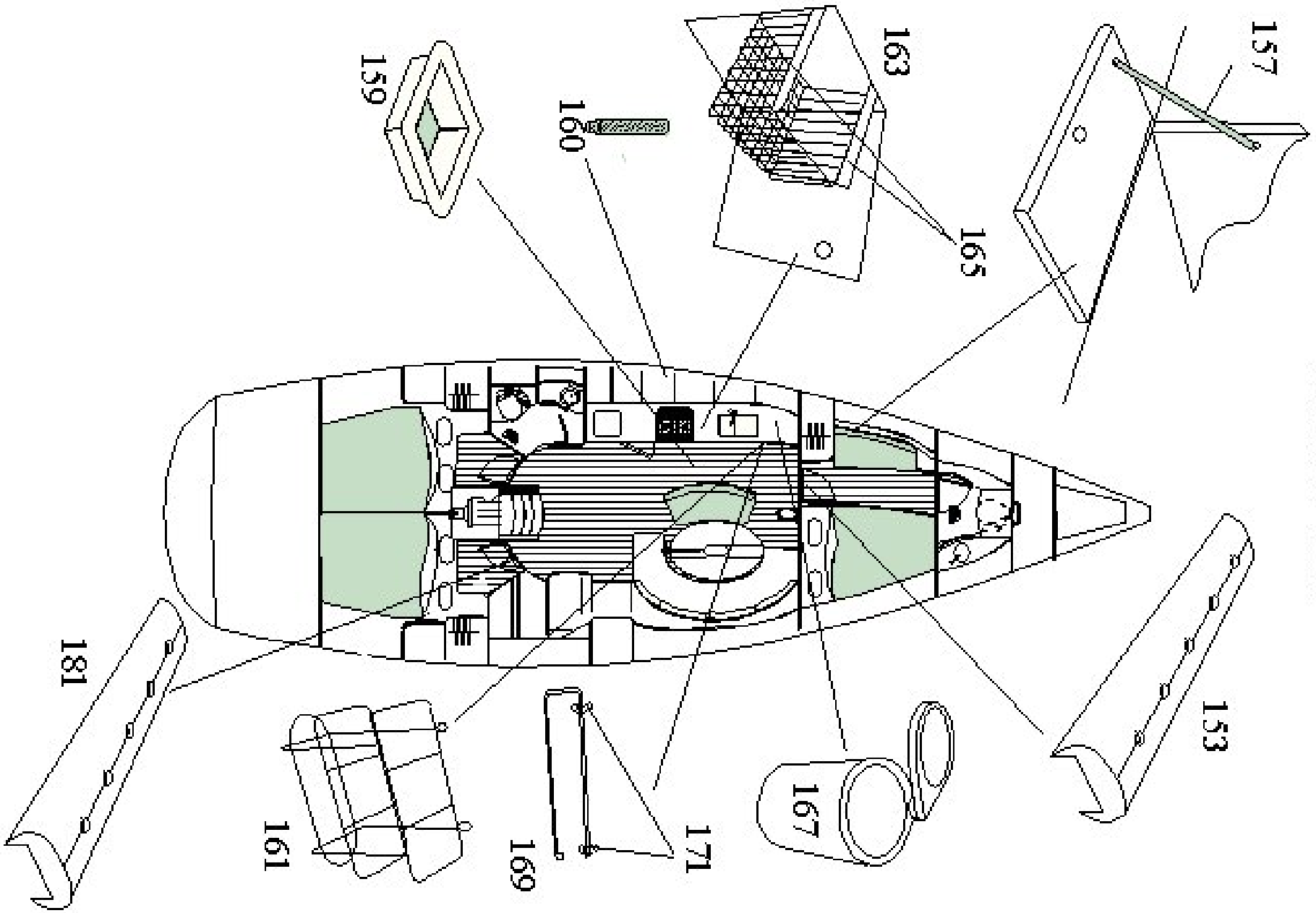
INTERIOR EQUIPMENT

FIRST 47.7





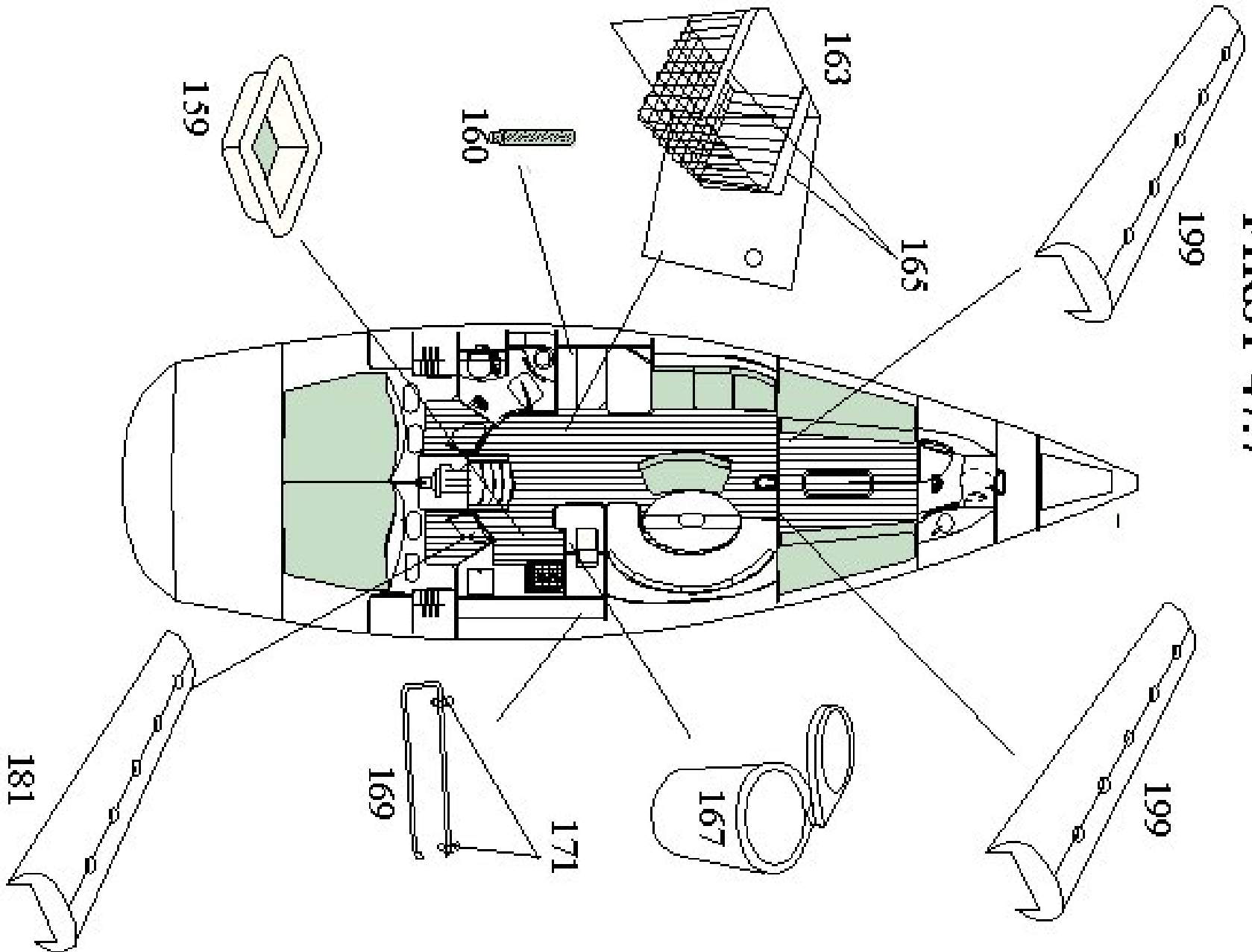
FIRST 47.7

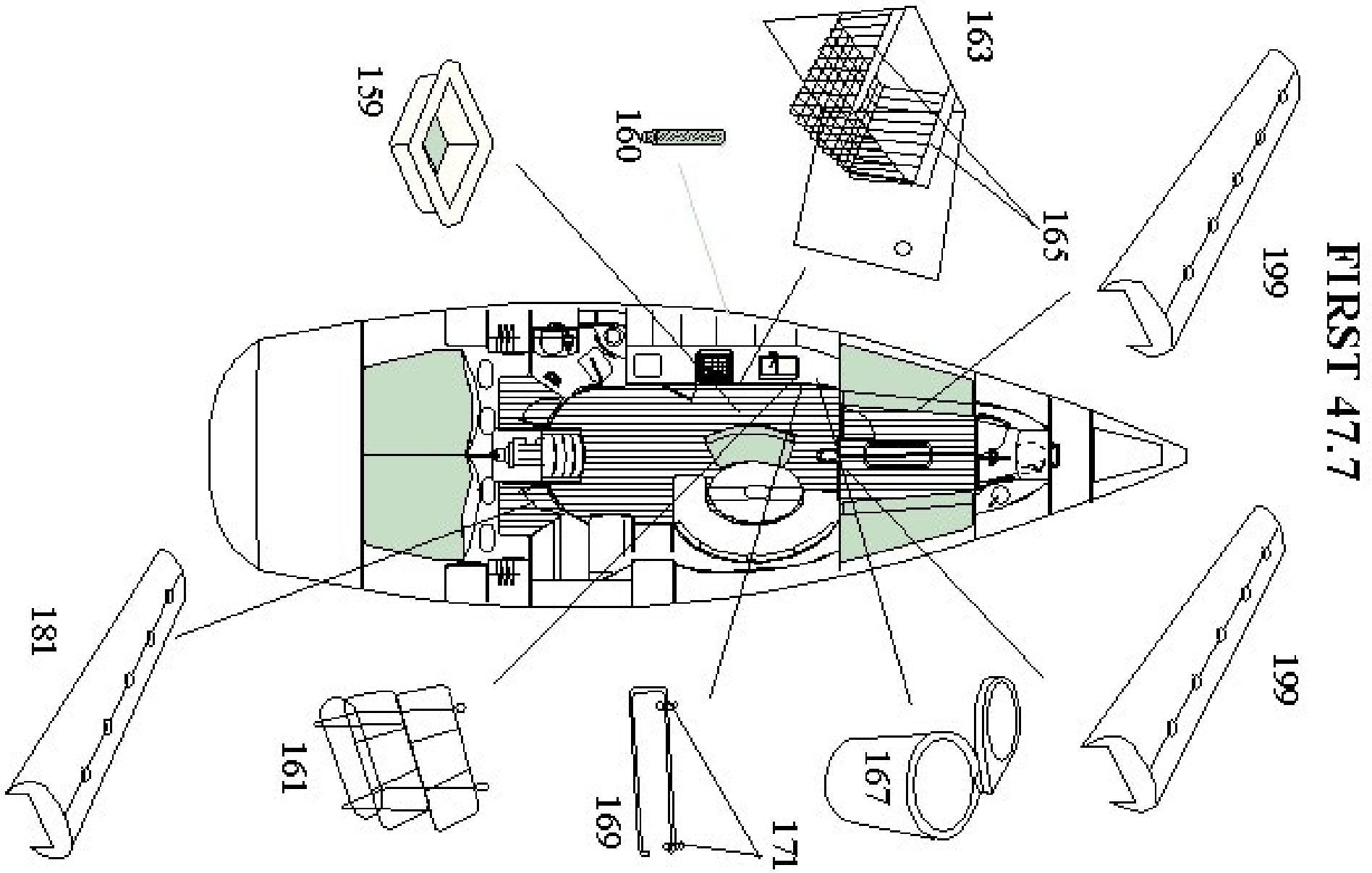


FIRST 47.7

INTERIOR EQUIPMENT

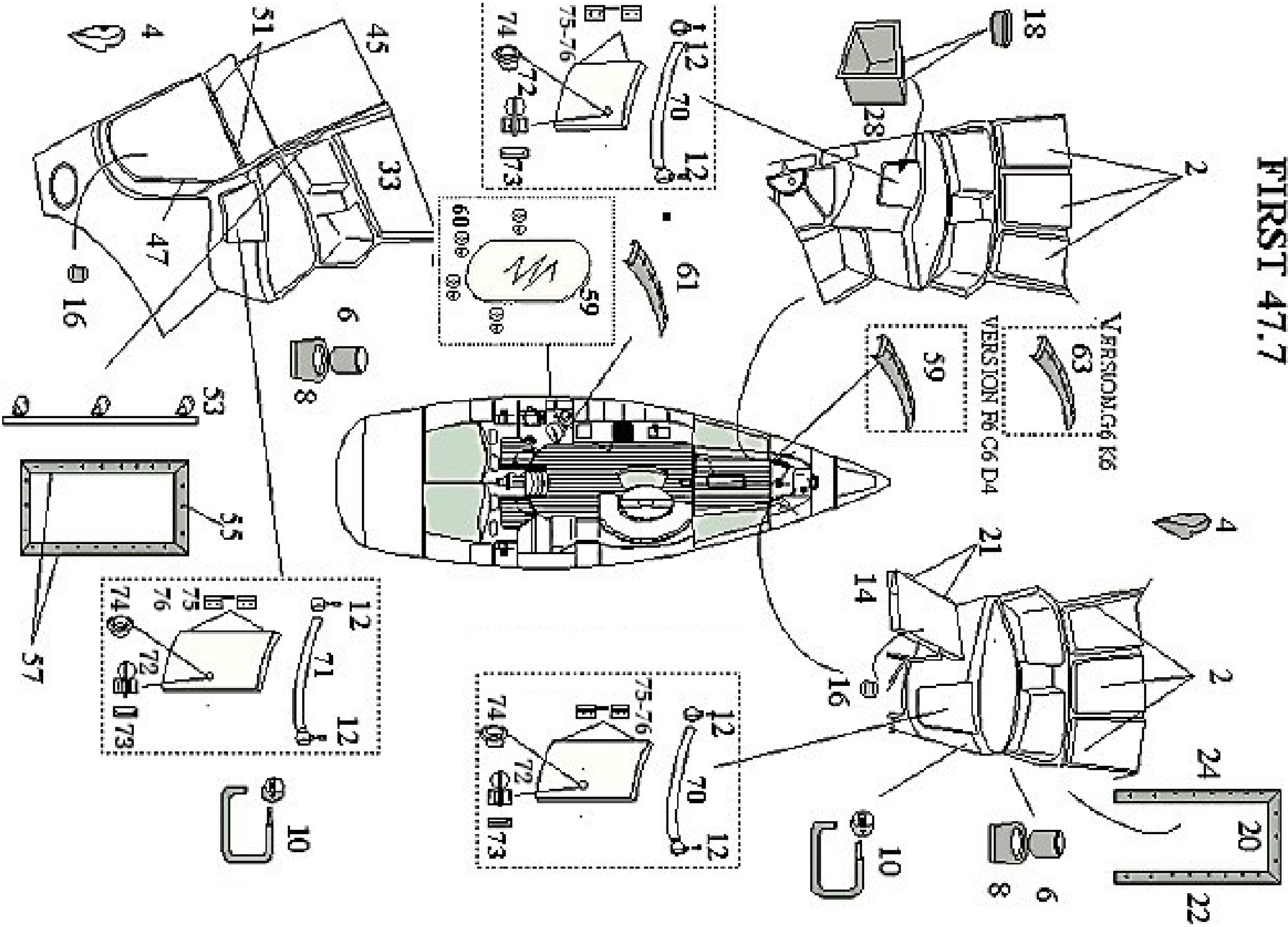
FIRST 47.7





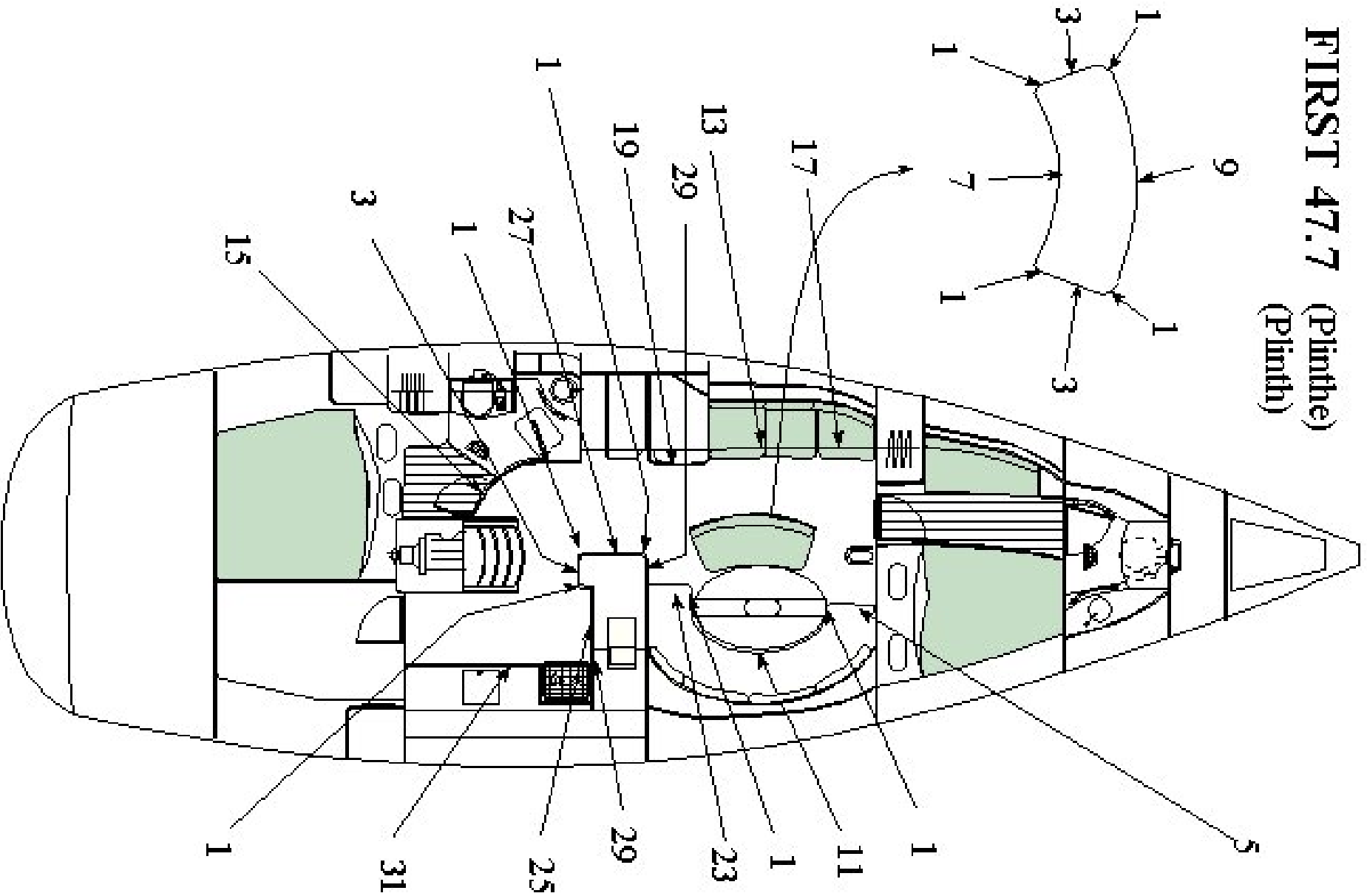
INTERIOR EQUIPMENT

FIRST 47.7



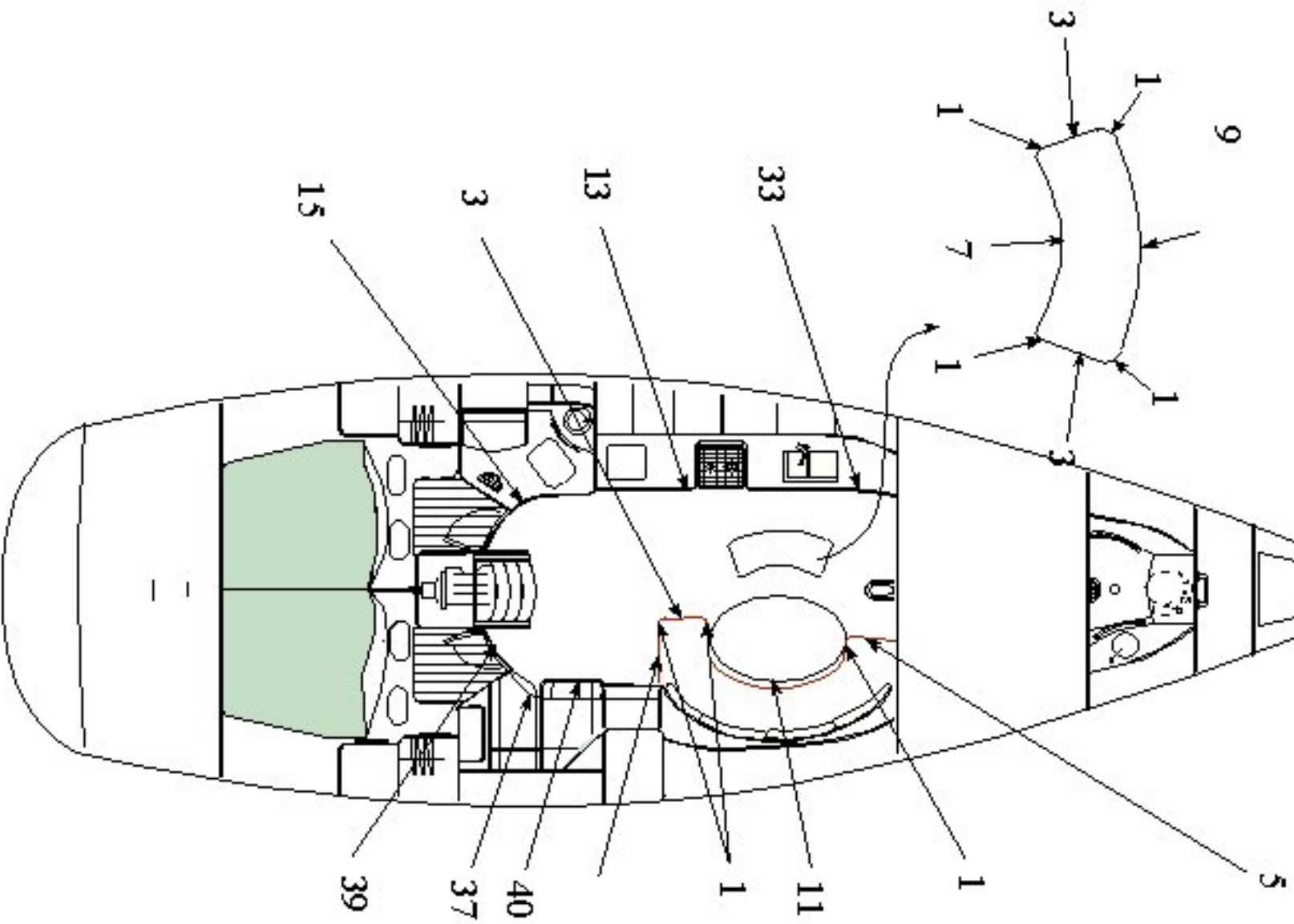
VERSION C6 1CAV 1T 1CAR 1T TACBD

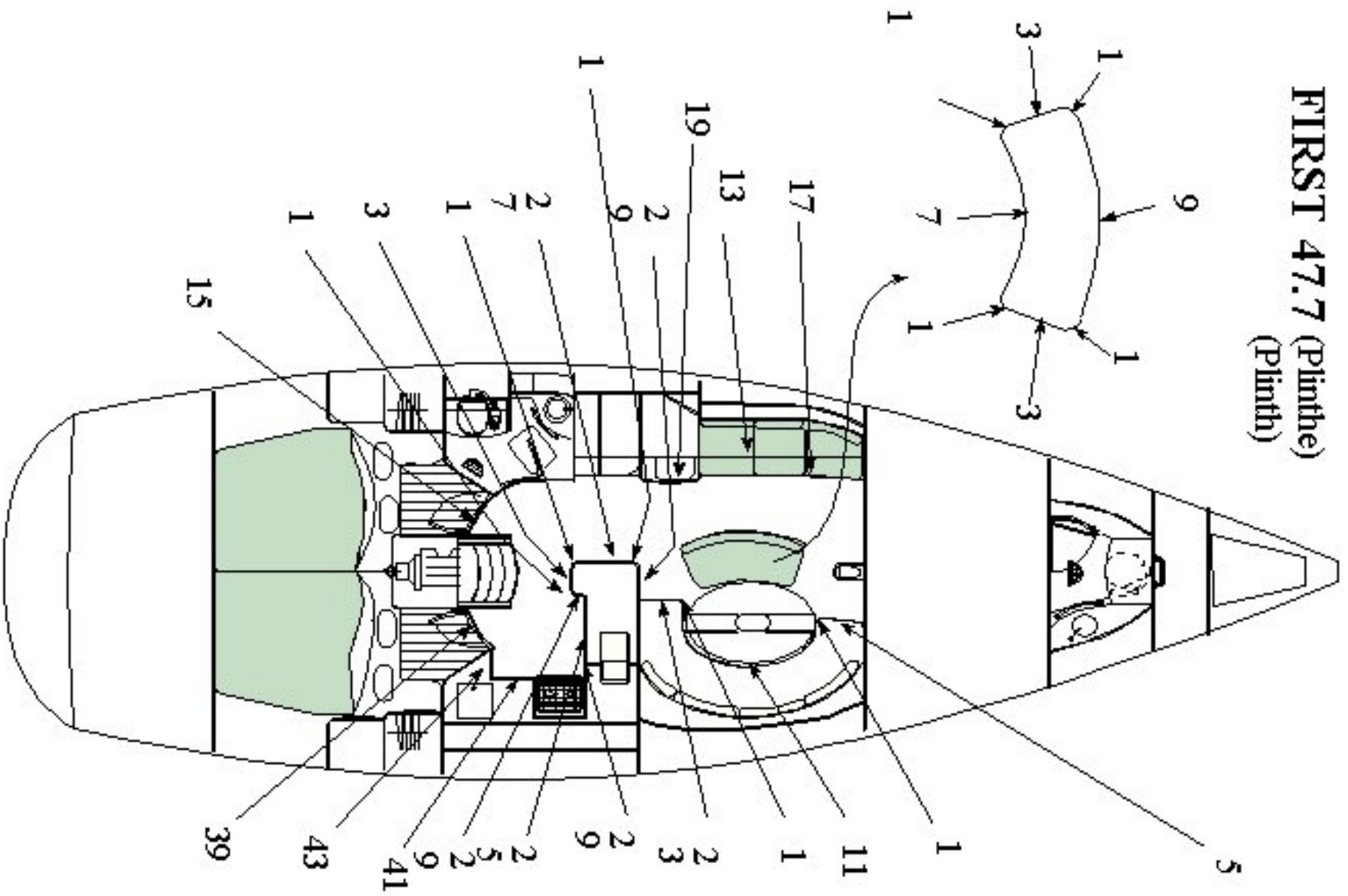
# FIRST 47.7 (Plinthe) (Plinthe)



VERSION F6 1CAV 1T 2CAR 1T TACTD  
+ K6 2CAV 1T 2CAR 1T TACTD

# FIRST 47.7 (Plinthe) (Plinth)





**FIRST 47.7 (Plinthe)**  
(Plinthe)

VERSION D4 1CAV 1T 2CAR 1T TAC BD  
+ D1 2CAV 1T 2CAR 1T TAC BD

## INTERIOR EQUIPMENT

option	Pos.	Part No.	Description	Quant. per boat	Version / Option	SS_FAM	Begining hull number	Ending hull number
	1	014037	ANGLE SKIRTING 55X17! NOT AVAILABLE !	9,000				
	2	049842	MIRROR 0435X330X4	6,000				
	3	049420	ALU SKIRTING 55X17 L! NOT AVAILABLE !	3,000				
	4	012967	HOOK CHROMED BRASS 64X32 H24	3,000				
	5	049422	ALU SKIRTING 55X17 L! NOT AVAILABLE !	1,000				
	6	463905	WHITE MUG	2,000				
	7	049424	ALU SKIRTING 55X17 L! NOT AVAILABLE !	1,000				
	8	082248	SUPPORT FOR THE GLASS + GLASS AM	2,000				
	9	049426	ALU SKIRTING 55X17 L! NOT AVAILABLE !	1,000				
	10	843650	TOWEL AND TOILETS PAPER WHITE HOLDER	2,000				
	11	049427	ALU SKIRTING 55X17 L! NOT AVAILABLE !	1,000				
	12	030215	HANDRAIL CHR SUPPORT D25 H40 LGTH25	4,000				
	13	049432	ALU SKIRTING 73X17 L! NOT AVAILABLE !	1,000				
	14	023256	FLAP LOCKER WC 580X500X30	1,000				
	15	049430	PORT ALU SKIRTING 73! NOT AVAILABLE !	1,000				
	16	355260	SPACER TUBE FOR FRIGO COIL 15X5X12 V1	2,000				
	17	049428	ALU SKIRTING 73X17 L! NOT AVAILABLE !	1,000				
	18	130800	PLUG PLASTIC D100 COLORLESS	2,000				
	19	052105	PORT ALU SKIRTING 55! NOT AVAILABLE !	1,000			20	

## INTERIOR EQUIPMENT

option	Pos.	Part No.	Description	Quant. per boat	Version / Option	SS_FAM	Begining hull number	Ending hull number
	20	053341	ALU FRAME DOOR AFT SHOWER ROOM L 460	1,000	2CAV 1T 2CAR 1T ME			
	20	050878	ALU FRAME DOOR FWD SHOWER ROOM L 490	1,000	1CAV 1T 2CAR 1T ME			
	21	001564	S S HINGE 60X50 THICKNESS 2 D 8 PINS	2,000				
	21	053342	AL FRAME DOOR FWD SHOWER ROOM L 460RIGHT	1,000	2CAV 1T 2CAR 1T ME			
	22	053343	AL FRAME DOOR FWD SHOWER ROOM L 460LEFT	1,000	2CAV 1T 2CAR 1T ME			
	22	050879	ALU FRAME DOOR FWD SHOWER ROOM L1632	1,000	1CAV 1T 2CAR 1T ME			
	23	049422	ALU SKIRTING 55X17 L! NOT AVAILABLE !	2,000				
	24	050880	ALU FRAME DOOR FWD SHOWER ROOM L1645	1,000	1CAV 1T 2CAR 1T ME			
	25	049626	ALU SKIRTING 55X17 L! NOT AVAILABLE !	1,000				
	26	049998	MIRROR 0650X250X4	1,000				
	27	049626	ALU SKIRTING 55X17 L! NOT AVAILABLE !	1,000				
	28	049755	BOX ARRANGEMENT 1847! NOT AVAILABLE !	1,000				
	29	049628	ALU SKIRTING 55X17 L! NOT AVAILABLE !	3,000				
	31	049631	ALU SKIRTING 73X17 L! NOT AVAILABLE !	1,000				
	33	049998	MIRROR 0650X250X4	1,000				
	35	049423	ALU SKIRTING 55X17 L! NOT AVAILABLE !	1,000				

## INTERIOR EQUIPMENT

option	Pos.	Part No.	Description	Quant. per boat	Version / Option	SS_FAM	Beginning hull number	Ending hull number
	37	049429	ALU SKIRTING 73X17 L! NOT AVAILABLE !	1,000				
	39	049630	ALU SKIRTING 73X17 L! NOT AVAILABLE !	1,000				
	40	052106	STBD ALU SKIRTING 55! NOT AVAILABLE !	1,000			20	
	40	050585	STBD ALU SKIRTING 55! NOT AVAILABLE !	1,000				19
	41	049623	ALU SKIRTING 73X17 L! NOT AVAILABLE !	1,000				
	43	049624	ALU SKIRTING 73X17 L! NOT AVAILABLE !	1,000				
	45	049777	AFT PORT TOILET CUP! NOT AVAILABLE !	1,000				
	47	049754	FLAP LOCKER WC 18470! NOT AVAILABLE !	1,000				
	51	001564	S S HINGE 60X50 THICKNESS 2 D 8 PINS	2,000				
	53	020643	HAND RAIL ALU SUPPORT D28 H50 AM	3,000				
	55	050881	ALU FRAME DOOR AFT SHOWER ROOM L 505	2,000				
	57	050882	ALU FRAME DOOR AFT SHOWER ROOM L1765	2,000				
	59	015209	MIRROR 0800X360X4 SILVER GLASS	1,000				
	60	041705	MIRROR FIXING CLIP AM	1,000				
	61	030819	ALU DOOR STEP 35X14 L 460 R696	1,000				
	63	044777	ALU DOOR STEP 35X14 L418	1,000				
	70	067790	S S HANDRAIL BATHROOM TITANIUM L480 CINT	2,000			289	
	70	W02902	WOODEN HANDRAIL LG 600	2,000				288
	71	067790	S S HANDRAIL BATHROOM TITANIUM L480 CINT	1,000			289	
	71	W02871	SHOWER ROOM WOODEN HANDRAIL LG361	1,000				288

## INTERIOR EQUIPMENT

option	Pos.	Part No.	Description	Quant. per boat	Version / Option	SS_FAM	Begining hull number	Ending hull number
	72	011967	PLASTIC + S STEEL BOLT	3,000				
	73	011969	BOLT LATCH FINGER GRIP	3,000				
	74	066920	FINGER PULL TITANIUM ABS D23 25	3,000				
	75	001458	CHR BRASS DOOR HINGE 1 2PLATE RIGHT60X35	2,000				17
	75	647750	CHR BRASS DOOR HINGE (RIGHT) 60X35	4,000				17
	75	647750	CHR BRASS DOOR HINGE (RIGHT) 60X35	6,000			18	
	75	647750	CHR BRASS DOOR HINGE (RIGHT) 60X35	2,000				
	75	001458	CHR BRASS DOOR HINGE 1 2PLATE RIGHT60X35	2,000				
	76	001459	CHR BRASS DOOR HINGE 1 2PLATE LEFT 60X35	4,000				17
	76	647751	CHR BRASS DOOR HINGE (LEFT) 60X35	6,000				17
	76	647751	CHR BRASS DOOR HINGE (LEFT) 60X35	10,000			18	
	100	049797	LOCKING LATCH	1,000				
	101	049934	S S HANDRAIL L1950 D25 COVERED	1,000				
	103	018628	HANDHOLD S S L1020 D25 CURVED COVERED	1,000				
	104	010782	LINE HANGER LINE D4 LGTH550 BLACK	2,000				
	105	020643	HAND RAIL ALU SUPPORT D28 H50 AM	7,000				
	106	066842	S S HANDRAIL L1950 D25 TITANIUM	1,000			289	
	107	015615	TILTING CAST AL TABL! NOT AVAILABLE !	2,000				
	109	016961	SWIVELING COMPASS S S+BEARING	4,000				
	111	331400	S S EYE-BOLT DIA 10	4,000				
	113	917520	BILGE LOCKER LATCH +HOLE	4,000				
	115	049929	ALU DOOR STEP 35X14 L459 R696	1,000				
	117	066841	S S HANDRAIL L1300 D25 TITANIUM	2,000			289	
	117	049933	S S HANDRAIL L1300 D25 COVERED	2,000				288

## INTERIOR EQUIPMENT

option	Pos.	Part No.	Description	Quant. per boat	Version / Option	SS_FAM	Beginning hull number	Ending hull number
	119	049936	HANDRAIL ALU SUPP D3! NOT AVAILABLE !	6,000				
	121	013999	STEP AL MOLDED COMPANIONWAY 18455	4,000				
	123	037925	STEP SUPP S S D25 L6! NOT AVAILABLE !	1,000				
	125	660000	LOCK-OFF SUPPORT 25	1,000				
	129	032268	LOCK ENBED 1 4T NO KEY	1,000				
	131	918100	CHROMED BRASS FLAT BOLT 30X60	2,000				
	133	058300	LOCK RING	2,000				
	135	048969	EXTINGUISHER PLASTIC COVER D50	1,000				
	136	061451	ANTI SKID BROWN 25MM L550 X6	1,000			289	
	137	010966	HANDRAIL S S SPACE 300 DRILLED	3,000				
	153	044779	ALU DOOR STEP 35X14 L498	1,000				
	157	010782	LINE HANGER LINE D4 LGTH550 BLACK	3,000				
	159	118600	BOX DUST	1,000				
	160	003960	BLACK PLASTIC WEDGE CROCKERY D16 L115	10,000				
	161	048514	BOTTLE HOLDER (3) IN	1,000				
	163	049749	BASKET H400XP300XL15! NOT AVAILABLE !	2,000				
	165	050078	SLIDING DRAWER L400	2,000				
	167	015800	S S GARBAGE CAN D300 H426 20L	1,000				
	169	050759	PAPER TOWEL HOLDER	1,000				
	171	002922	S STEEL EYE PLATE D 6 WIDTH 6+2HOLES D5	2,000				
	181	049929	ALU DOOR STEP 35X14 L459 R696	1,000				
	199	044778	ALU DOOR STEP 35X14 L448	1,000				
	200	049797	LOCKING LATCH	1,000				
	200	049682	HINGE INVISIBLE CHANT	4,000				

