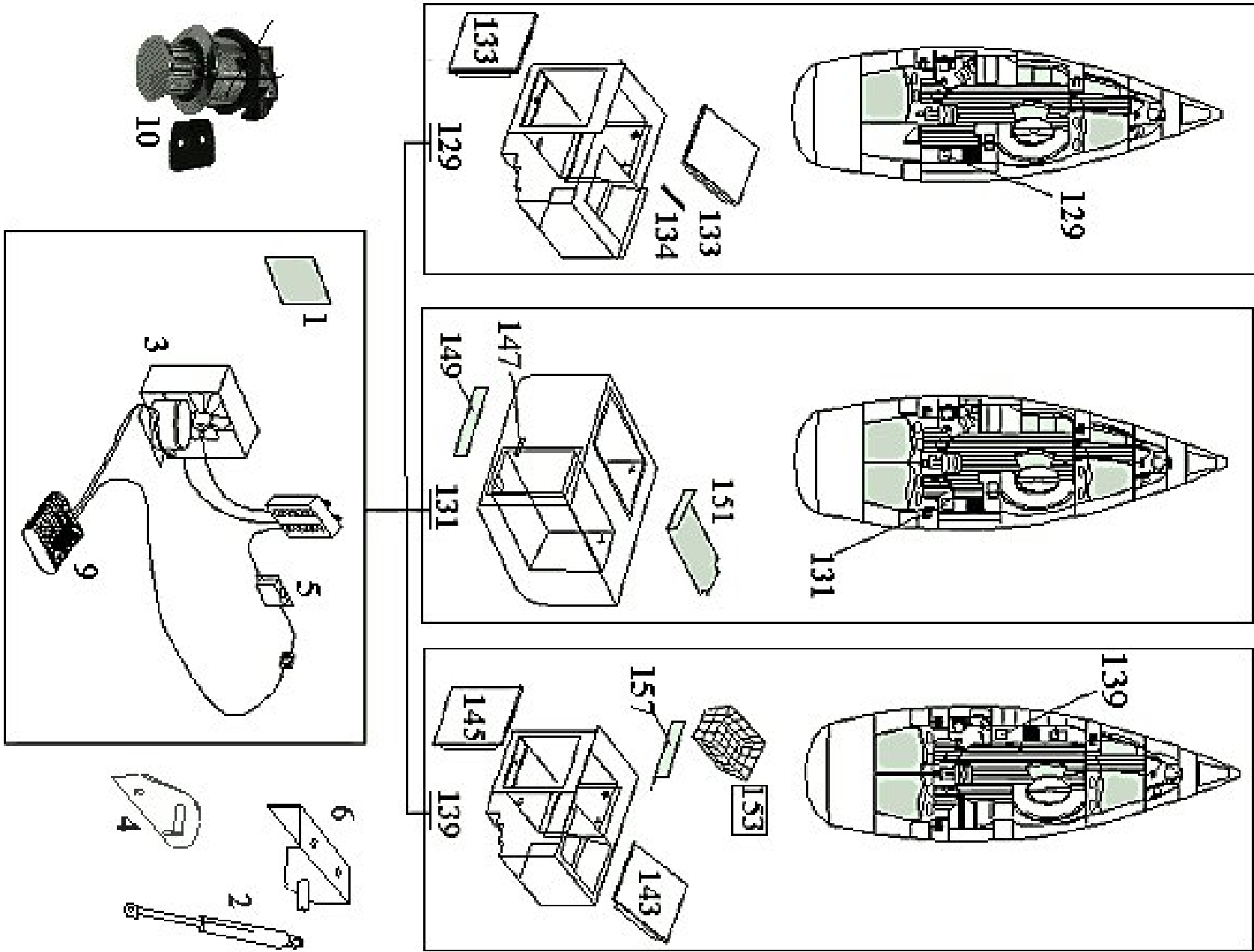


FIRST 47.7



HOUSEHOLD APPLIANCE

option	Pos.	Part No.	Description	Quant. per boat	Version / Option	SS_FAM	Begining hull number	Ending hull number
	1	488860	ALU VENTILATION SCREEN 210X170	1,000				
	2	055600	GAS JACK 15KG LD265_5 C=100	1,000				
	3	032208	REFRIDGERATING SET FRIGOMATIC 12V R134	1,000				
	4	057682	S S JACK SUPPORT 0	1,000				
	5	333516	REFRIGERATOR COIL FRIGOMATIC THERMOSTAT	1,000				
	6	057684	S S JACK SUPPORT 90 H18	1,000				
	9	032206	EVAP FMA ELT 130L HZ R134	1,000				
	10	049797	LOCKING LATCH	1,000				
	129	053036	ICE BOX 18470 LEFT F! NOT AVAILABLE !	1,000				
	131	053020	ICE BOX 18470 LEFT F! NOT AVAILABLE !	1,000				
	133	054927	ICE BOX COVER 14361 THERMO	1,000				
	134	001908	OPENING BEARER L210+S S SPRING	1,000				
	139	053018	ICE BOX 18470 RIGHT ! NOT AVAILABLE !	1,000				
	143	036870	ICE BOX COCK 14511 492X580X50	1,000				
	145	036871	ICE BOX DOOR POLY 14511	1,000				
	147	T05030010	TUBE 20 L 0_10 RIGITUB	1,000				
	149	048841	ICE BOX SHELF 367X 39X8	1,000				
	151	031457	SHELF LOCKER 440X366X8	2,000				
	153	021898	ICE-BOX BASKET 360X260X155	2,000				
	155	024025	RUBBER OMEGA PROFILE STICKY 9X10	4,000				
	157	031458	SHELF ICE BOX 390X55X8	1,000				