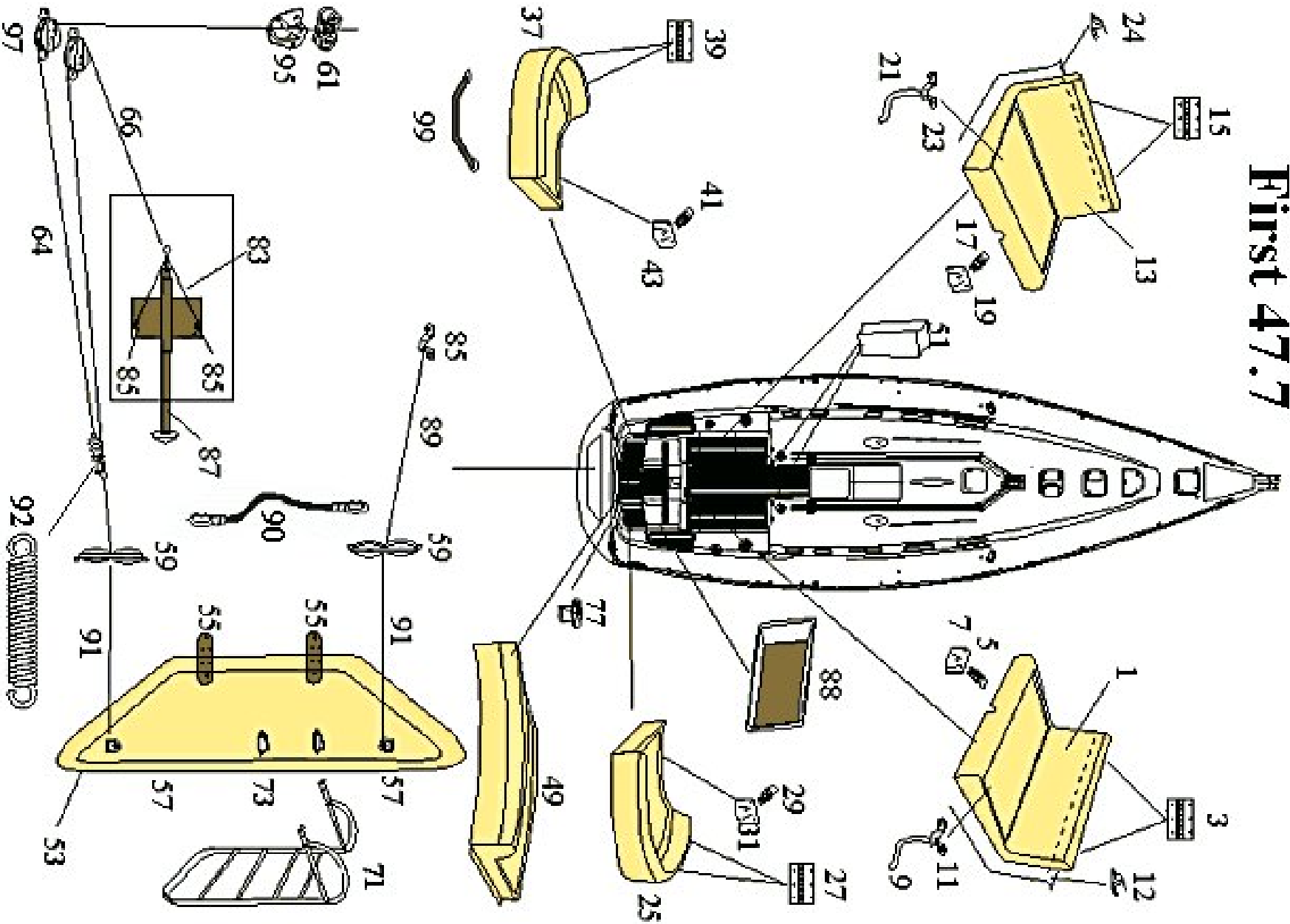


# First 47.7



**EQUIPMENT HULL, DECK**

option	Pos.	Part No.	Description	Quant. per boat	Version / Option	SS_FAM	Beginning hull number	Ending hull number
	1	048052L	LOCKER HATCH 18470 AFT STBD SA	1,000				
	3	001564	S S HINGE 60X50 THICKNESS 2 D 8 PINS	2,000				
	5	917520	BILGE LOCKER LATCH +HOLE	1,000				
	7	011178	BILGE LOCKER CHR PLATED BRASS BOLT LATCH	1,000				
	9	139021	TEMPEST BLUE LINE LA 5-1500	1,000				
	11	694500	PADEYE SS PN 2	1,000				
	12	050672	RUBBER OMEGA PROFILE STICKY 11X18	1,000				
	13	048051L	LOCKER HATCH 18470 AFT PORT SAILS	1,000				
	15	001564	S S HINGE 60X50 THICKNESS 2 D 8 PINS	2,000				
	17	917520	BILGE LOCKER LATCH +HOLE	1,000				
	19	011178	BILGE LOCKER CHR PLATED BRASS BOLT LATCH	1,000				
	21	139021	TEMPEST BLUE LINE LA 5-1500	1,000				
	23	694500	PADEYE SS PN 2	1,000				
	24	050672	RUBBER OMEGA PROFILE STICKY 11X18	1,000				
	25	048054L	LOCKER HATCH 18470 AFT STBD SL	1,000				
	27	001564	S S HINGE 60X50 THICKNESS 2 D 8 PINS	2,000				
	29	917520	BILGE LOCKER LATCH +HOLE	1,000				
	31	011178	BILGE LOCKER CHR PLATED BRASS BOLT LATCH	1,000				
	37	048053L	LOCKER HATCH 18470 AFT PORT SLILS	1,000				
	39	001564	S S HINGE 60X50 THICKNESS 2 D 8 PINS	2,000				
	41	917520	BILGE LOCKER LATCH +HOLE	1,000				
	43	011178	BILGE LOCKER CHR PLATED BRASS BOLT LATCH	1,000				

**EQUIPMENT HULL, DECK**

option	Pos.	Part No.	Description	Quant. per boat	Version / Option	SS_FAM	Begining hull number	Ending hull number
	49	048056L	AFT BENCH LOCKER 18470 SLATED	1,000				
	51	118550	WINCH HANDLE BOX W H P	2,000				
	53	063165L	GANGWAY 18470 SLATED B ACIER	1,000			289	
	53	063164L	GANGWAY 18470 SLATED B NAVY	1,000			262	288
	53	048057L	GANGWAY 18470 SLATED	1,000				261
	55	049790	S S HINGE 120X50 180 1 2RD	2,000				
	57	003202	ARTICULATED CHAINPLATE D 6 BREAK 2700KG	2,000				
	59	010964	THRU DECK BLOCK HARK! NOT AVAILABLE !	2,000				
	61	851110	HY BEAM 150 CLEAT	1,000				
	63	050988	SET LINE MANOEUVRING AFT GANGWAY 18470	1,000				
	64	050989	TWISTED LINE D6 L1700	1,000				
	65	050990	TWISTED LINE D2 5 L1000	1,000				
	66	050991	TWISTED LINE D6 L1150	1,000				
	71	050186	BATHING LADDER 18470	1,000				
	73	050605	SWIN LADDER FIXING SUPPORT 18470	2,000				
	77	019014	FLAGSTAFF BASE D70X30	1,000				
	83	050822	ELASTIC WHITE D10 L1000	1,000				
	85	694500	PADEYE SS PN 2	3,000				
	87	050256	GANGWAY MECANISM 18470	1,000				
	88	045801	ENGINE CONTROL PANEL 18390	1,000				
	89	050756	STOP AFT GANGWAY 184! NOT AVAILABLE !	1,000				
	90	332402	ELASTIC DIA 5_2 2 HOOKS LGTH 300	1,000				
	91	069154	LIFELINES 18470 AFT ! NOT AVAILABLE !	2,000			300	
	91	050813	LIFELINES 18470 AFT GANGWAY FIXED AM	2,000				299
	92	053139	SPRING S S D12 L 80 ! NOT AVAILABLE !	1,000				
	95	039947	GUIDE HY BEAMM328 CLEAT	1,000				

