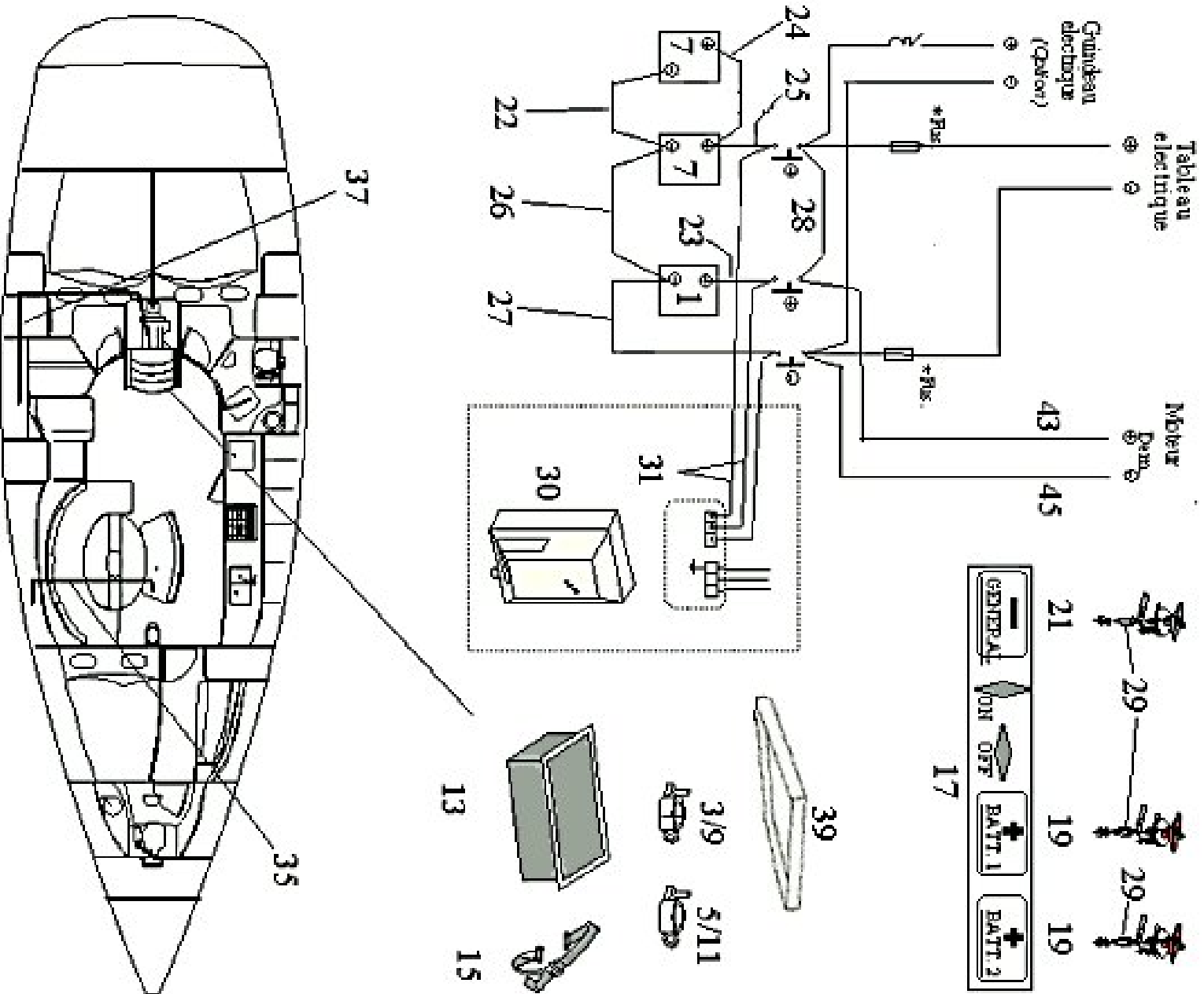


ENGINE ELECTRICAL SYSTEM

FIRST 47.7



ENGINE ELECTRICAL SYSTEM

option	Pos.	Part No.	Description	Quant. per boat	Version / Option	SS_FAM	Begining hull number	Ending hull number
	1	042082	BATTERY 12V 110A	1,000				
	3	258900	BATTERY TERMINAL D8	1,000				
	5	259000	BATTERY TERMINAL D8	1,000				
	7	042083	BATTERY 12V 140A MOD 97	2,000				
	9	258900	BATTERY TERMINAL D8	2,000				
	11	259000	BATTERY TERMINAL D8	2,000				
	13	053089	BATTERY BOX DOUBLE THERMOFORMED	2,000				
	15	076364	BLACK WEBBING STRAP L1000 COMPLETE NM	3,000				
	17	015221	BATTERY BREAK LABEL ! NOT AVAILABLE !	1,000				
	19	264600	BATTERY BREAKER RED HANDLE	2,000				
	21	264610	BATTERY BREAKER BLACK HANDLE	1,000				
	22	F135500040KO6O6	CBL 50 N C O 8 C O 8	1,000				
	23	F135500220GO6O7	CBL 50 R C O 8 C O 10	1,000				
	24	F135500040GO6O6	CBL 50 R C O 8 C O 8	1,000				
	25	F135500240GO6O7	CBL 50 R C O 8 C O 10	1,000				
	26	F135500060KO6O6	CBL 50 N C O 8 C O 8	1,000				
	27	F135500270KO6O7	CBL 50 N C O 8 C O 10	1,000				
	28	F135500013GO7O7	CBL 50 R C O 10 C O 10	1,000				
	29	011567	STUD EXTENDER BATTERY SWITCH	3,000				
	30	073459	BATTERY CHARGER 12V 40A 110/230V PF	1,000				
	31	050870	EL WIRE 18470 CHARGE! NOT AVAILABLE !	1,000				
	35	F131200380AO6O6	CBL 10 C O 8_25 C O 8_25	1,000				
	37	F128100480AO700	CBL 2_5 C O 10_3	1,000				
	39	054222	BATTERY BOX LID DOUBLE	2,000				177
	43	F135500190GO6O7	CBL 50 R C O 8 C O 10	1,000				
	45	F135500190KO7O7	CBL 50 N C O 10 C O 10	1,000				