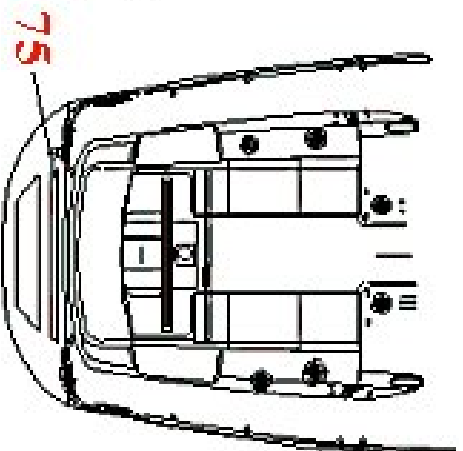
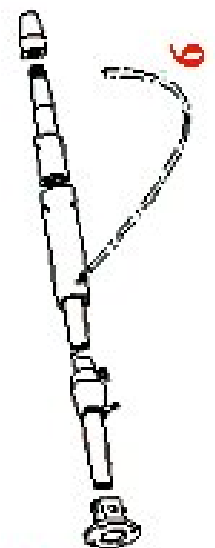
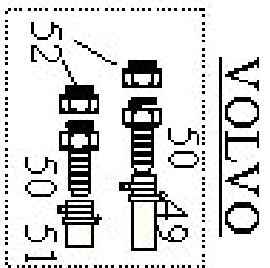
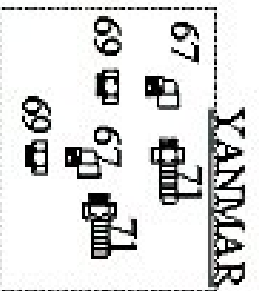
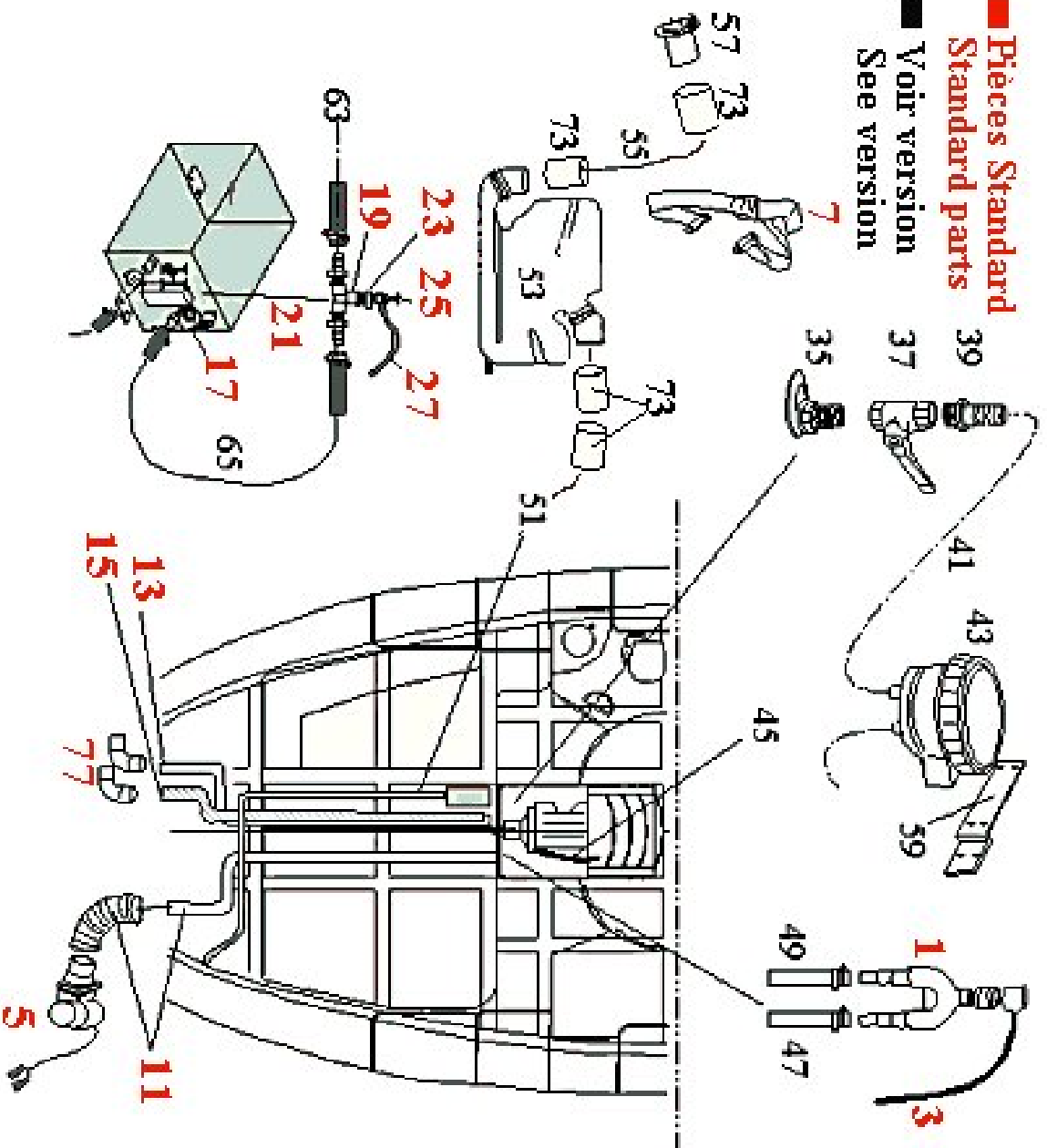


# FIRST 47.7

■ Pièces Standard  
Standard parts

■ Voir version  
See version



**COOLING ENGINE**

option	Pos.	Part No.	Description	Quant. per boat	Version / Option	SS_FAM	Begining hull number	Ending hull number
	1	026541	ANTISIPHON INTAKE V D13 19 25 32	1,000				
	3	T11020150	TUYAU 6 L 1_50 EAU	1,000				
	5	125630	EXTRACTOR	1,000				
	7	076364	BLACK WEBBING STRAP L1000 COMPLETE NM	1,000				
	9	073344	FUEL LINE D10 FILLING TANK	3,000				
	11	436500	VENTIL SHEATH DIA 70 STD G	6,000				
	13	011497	VENTIL DUCT D100 STD G	5,000				
	15	011497	VENTIL DUCT D100 STD G	6,000				
	17	T11090050	HOSE 15 L 0_50 COOLING	1,000				
	19	016432	BRASS T CONNECTION FFF 15X21	1,000				
	21	342600	BRASS STR GROOVED END-PIECE M15X21 D18	2,000				
	23	760300	BRASS STR END-PIECE MF 15X21- 8X13	1,000				
	25	785300	DRAINING TAP M 8X13	1,000				
	27	T22090040	TUYAU 08X11 L 0_40 TUBCLAIR	1,000				
	35	070468	THRU HULL W/STRAINER 1P1/4	1,000	VOLVO D2- 75 55KW( 75CV)D			
	35	070468	THRU HULL W/STRAINER 1P1/4	1,000	YANMAR 4JH3TE+V4 V.CROISIE RE		280	
	35	070468	THRU HULL W/STRAINER 1P1/4	1,000	YANMAR 4JH3TE+V9 V.REGATE		280	
	35	070468	THRU HULL W/STRAINER 1P1/4	1,000	YANMAR 4JH3HTE+ V4 V.CROISIE RE		280	

**COOLING ENGINE**

option	Pos.	Part No.	Description	Quant. per boat	Version / Option	SS_FAM	Begining hull number	Ending hull number
	35	070468	THRU HULL W/STRAINER 1P1/4	1,000	YANMAR 4JH3HTE+ V9 V.REGATE		280	
	35	070468	THRU HULL W/STRAINER 1P1/4	1,000	YANMAR 4JH3E+V4 V.CROISIE RE		280	
	35	070468	THRU HULL W/STRAINER 1P1/4	1,000	YANMAR 4JH3E+V9 V.REGATE		280	
	35	070467	THRU HULL W/STRAINER 1P	1,000	YANMAR 4JH3HTE 74KW(100 CV)D			279
	35	070468	THRU HULL W/STRAINER 1P1/4	1,000	YANMAR 4JH3HTE 74KW(100 CV)D		280	
	35	070467	THRU HULL W/STRAINER 1P	1,000	VOLVO MD22+V4 V.CROISIE RE			
	35	070467	THRU HULL W/STRAINER 1P	1,000	YANMAR 4JH3E+V9 V.REGATE			279
	35	070467	THRU HULL W/STRAINER 1P	1,000	VOLVO MD22+V9 V.REGATE			
	35	070467	THRU HULL W/STRAINER 1P	1,000	YANMAR 4JH3TE+V9 V.REGATE			279
	35	070467	THRU HULL W/STRAINER 1P	1,000	YANMAR 4JH3HTE+ V9 V.REGATE			279
	35	070467	THRU HULL W/STRAINER 1P	1,000	VOLVO TMD22+V9 V.REGATE			

**COOLING ENGINE**

option	Pos.	Part No.	Description	Quant. per boat	Version / Option	SS_FAM	Beginning hull number	Ending hull number
	35	070467	THRU HULL W/STRAINER 1P	1,000	YANMAR 4JH3HTE+ V4 V.CROISIE RE			279
	35	070467	THRU HULL W/STRAINER 1P	1,000	YANMAR 4JH3TE+V4 V.CROISIE RE			279
	35	070467	THRU HULL W/STRAINER 1P	1,000	VOLVO TMD22+V4 V.CROISIE RE			
	35	070467	THRU HULL W/STRAINER 1P	1,000	YANMAR 4JH3E+V4 V.CROISIE RE			279
	37	026069	2 WAY VALVE 1 4 FF26X34 BRASS S S	1,000	YANMAR 4JH3HTE 74KW(100 CV)D			279
	37	026069	2 WAY VALVE 1 4 FF26X34 BRASS S S	1,000	YANMAR 4JH3E+V4 V.CROISIE RE			279
	37	026069	2 WAY VALVE 1 4 FF26X34 BRASS S S	1,000	VOLVO MD22+V4 V.CROISIE RE			
	37	026069	2 WAY VALVE 1 4 FF26X34 BRASS S S	1,000	YANMAR 4JH3HTE+ V4 V.CROISIE RE			279
	37	026069	2 WAY VALVE 1 4 FF26X34 BRASS S S	1,000	VOLVO TMD22+V4 V.CROISIE RE			

**COOLING ENGINE**

option	Pos.	Part No.	Description	Quant. per boat	Version / Option	SS_FAM	Begining hull number	Ending hull number
	37	026069	2 WAY VALVE 1 4 FF26X34 BRASS S S	1,000	YANMAR 4JH3TE+V4 V.CROISIE RE			279
	37	026069	2 WAY VALVE 1 4 FF26X34 BRASS S S	1,000	YANMAR 4JH3HTE+ V9 V.REGATE			279
	37	026069	2 WAY VALVE 1 4 FF26X34 BRASS S S	1,000	YANMAR 4JH3TE+V9 V.REGATE			279
	37	026069	2 WAY VALVE 1 4 FF26X34 BRASS S S	1,000	YANMAR 4JH3E+V9 V.REGATE			279
	37	026069	2 WAY VALVE 1 4 FF26X34 BRASS S S	1,000	VOLVO TMD22+V9 V.REGATE			
	37	026069	2 WAY VALVE 1 4 FF26X34 BRASS S S	1,000	VOLVO MD22+V9 V.REGATE			
	37	903956	2 WAY VALVE 1/4 FF 33X42 BRASS S/S JN	1,000	VOLVO D2- 75 55KW( 75CV)D			
	37	903956	2 WAY VALVE 1/4 FF 33X42 BRASS S/S JN	1,000	YANMAR 4JH3TE+V4 V.CROISIE RE		280	
	37	903956	2 WAY VALVE 1/4 FF 33X42 BRASS S/S JN	1,000	YANMAR 4JH3TE+V9 V.REGATE		280	
	37	903956	2 WAY VALVE 1/4 FF 33X42 BRASS S/S JN	1,000	YANMAR 4JH3HTE+ V4 V.CROISIE RE		280	
	37	903956	2 WAY VALVE 1/4 FF 33X42 BRASS S/S JN	1,000	YANMAR 4JH3HTE+ V9 V.REGATE		280	

**COOLING ENGINE**

option	Pos.	Part No.	Description	Quant. per boat	Version / Option	SS_FAM	Begining hull number	Ending hull number
	37	903956	2 WAY VALVE 1/4 FF 33X42 BRASS S/S JN	1,000	YANMAR 4JH3E+V4 V.CROISIE RE		280	
	37	903956	2 WAY VALVE 1/4 FF 33X42 BRASS S/S JN	1,000	YANMAR 4JH3E+V9 V.REGATE		280	
	37	903956	2 WAY VALVE 1/4 FF 33X42 BRASS S/S JN	1,000	YANMAR 4JH3HTE 74KW(100 CV)D		280	
	39	065334	BRASS STR GROOVED END-PIECE M33X42 D32	1,000	VOLVO D2- 75 55KW( 75CV)D			
	39	065334	BRASS STR GROOVED END-PIECE M33X42 D32	1,000	YANMAR 4JH3TE+V4 V.CROISIE RE		280	
	39	065334	BRASS STR GROOVED END-PIECE M33X42 D32	1,000	YANMAR 4JH3TE+V9 V.REGATE		280	
	39	065334	BRASS STR GROOVED END-PIECE M33X42 D32	1,000	YANMAR 4JH3HTE+ V4 V.CROISIE RE		280	
	39	065334	BRASS STR GROOVED END-PIECE M33X42 D32	1,000	YANMAR 4JH3HTE+ V9 V.REGATE		280	
	39	065334	BRASS STR GROOVED END-PIECE M33X42 D32	1,000	YANMAR 4JH3E+V4 V.CROISIE RE		280	
	39	065334	BRASS STR GROOVED END-PIECE M33X42 D32	1,000	YANMAR 4JH3E+V9 V.REGATE		280	

## COOLING ENGINE

option	Pos.	Part No.	Description	Quant. per boat	Version / Option	SS_FAM	Begining hull number	Ending hull number
	39	065334	BRASS STR GROOVED END-PIECE M33X42 D32	1,000	YANMAR 4JH3HTE 74KW(100 CV)D		280	
	39	338000	BRASS STR GROOVED END-PIECE M26X34 D25	1,000	YANMAR 4JH3HTE 74KW(100 CV)D			279
	39	338000	BRASS STR GROOVED END-PIECE M26X34 D25	1,000	YANMAR 4JH3HTE+ V4 V.CROISIE RE			279
	39	338000	BRASS STR GROOVED END-PIECE M26X34 D25	1,000	VOLVO TMD22+V4 V.CROISIE RE			
	39	338000	BRASS STR GROOVED END-PIECE M26X34 D25	1,000	VOLVO MD22+V4 V.CROISIE RE			
	39	338000	BRASS STR GROOVED END-PIECE M26X34 D25	1,000	YANMAR 4JH3E+V4 V.CROISIE RE			279
	39	338000	BRASS STR GROOVED END-PIECE M26X34 D25	1,000	YANMAR 4JH3TE+V4 V.CROISIE RE			279
	39	338000	BRASS STR GROOVED END-PIECE M26X34 D25	1,000	YANMAR 4JH3HTE+ V9 V.REGATE			279
	39	338000	BRASS STR GROOVED END-PIECE M26X34 D25	1,000	VOLVO MD22+V9 V.REGATE			
	39	338000	BRASS STR GROOVED END-PIECE M26X34 D25	1,000	YANMAR 4JH3TE+V9 V.REGATE			279

**COOLING ENGINE**

option	Pos.	Part No.	Description	Quant. per boat	Version / Option	SS_FAM	Begining hull number	Ending hull number
	39	338000	BRASS STR GROOVED END-PIECE M26X34 D25	1,000	YANMAR 4JH3E+V9 V.REGATE			279
	39	338000	BRASS STR GROOVED END-PIECE M26X34 D25	1,000	VOLVO TMD22+V9 V.REGATE			
	41	T22130050	HOSE 25 L 0_50 WATER STDG	1,000	YANMAR 4JH3HTE 74KW(100 CV)D			
	41	T22130050	HOSE 25 L 0_50 WATER STDG	1,000	YANMAR 4JH3E+V4 V.CROISIE RE			
	41	T22130050	HOSE 25 L 0_50 WATER STDG	1,000	YANMAR 4JH3TE+V4 V.CROISIE RE			
	41	T22130050	HOSE 25 L 0_50 WATER STDG	1,000	YANMAR 4JH3E+V9 V.REGATE			
	41	T22130050	HOSE 25 L 0_50 WATER STDG	1,000	YANMAR 4JH3TE+V9 V.REGATE			
	41	T22130050	HOSE 25 L 0_50 WATER STDG	1,000	YANMAR 4JH3HTE+ V9 V.REGATE			
	41	T22130050	HOSE 25 L 0_50 WATER STDG	1,000	YANMAR 4JH3HTE+ V4 V.CROISIE RE			
	41	T22130090	HOSE 25 L 0_90 WATER STDG	1,000	VOLVO MD22+V4 V.CROISIE RE			

## COOLING ENGINE

option	Pos.	Part No.	Description	Quant. per boat	Version / Option	SS_FAM	Beginning hull number	Ending hull number
	41	T22130090	HOSE 25 L 0_90 WATER STDG	1,000	VOLVO TMD22+V4 V.CROISIE RE			
	41	T22130090	HOSE 25 L 0_90 WATER STDG	1,000	VOLVO TMD22+V9 V.REGATE			
	41	T22130090	HOSE 25 L 0_90 WATER STDG	1,000	VOLVO MD22+V9 V.REGATE			
	41	T09020090	HOSE 30 L 0_90 AMORVIN	1,000	VOLVO D2- 75 55KW( 75CV)D			
	43	025854	SALT WATER FILTER 1P1 4 VETUS 330	1,000	VOLVO D2- 75 55KW( 75CV)D			
	43	025854	SALT WATER FILTER 1P1 4 VETUS 330	1,000	YANMAR 4JH3HTE 74KW(100 CV)D			
	43	405000	WATER FILTER TYPE 150	1,000	VOLVO MD22+V4 V.CROISIE RE			
	43	405000	WATER FILTER TYPE 150	1,000	VOLVO TMD22+V4 V.CROISIE RE			
	43	025854	SALT WATER FILTER 1P1 4 VETUS 330	1,000	YANMAR 4JH3HTE+ V4 V.CROISIE RE			
	43	025854	SALT WATER FILTER 1P1 4 VETUS 330	1,000	YANMAR 4JH3TE+V4 V.CROISIE RE			

## COOLING ENGINE

option	Pos.	Part No.	Description	Quant. per boat	Version / Option	SS_FAM	Begining hull number	Ending hull number
	43	025854	SALT WATER FILTER 1P1 4 VETUS 330	1,000	YANMAR 4JH3E+V4 V.CROISIE RE			
	43	025854	SALT WATER FILTER 1P1 4 VETUS 330	1,000	YANMAR 4JH3HTE+ V9 V.REGATE			
	43	025854	SALT WATER FILTER 1P1 4 VETUS 330	1,000	YANMAR 4JH3TE+V9 V.REGATE			
	43	025854	SALT WATER FILTER 1P1 4 VETUS 330	1,000	YANMAR 4JH3E+V9 V.REGATE			
	43	405000	WATER FILTER TYPE 150	1,000	VOLVO MD22+V9 V.REGATE			
	43	405000	WATER FILTER TYPE 150	1,000	VOLVO TMD22+V9 V.REGATE			
	45	T22130150	HOSE 25 L 1_50 WATER STDG	1,000	YANMAR 4JH3HTE+ V9 V.REGATE			
	45	T22130150	HOSE 25 L 1_50 WATER STDG	1,000	YANMAR 4JH3E+V9 V.REGATE			
	45	T22130150	HOSE 25 L 1_50 WATER STDG	1,000	YANMAR 4JH3TE+V9 V.REGATE			
	45	T22130150	HOSE 25 L 1_50 WATER STDG	1,000	YANMAR 4JH3HTE+ V4 V.CROISIE RE			
	45	T22130150	HOSE 25 L 1_50 WATER STDG	1,000	YANMAR 4JH3TE+V4 V.CROISIE RE			

**COOLING ENGINE**

option	Pos.	Part No.	Description	Quant. per boat	Version / Option	SS_FAM	Begining hull number	Ending hull number
	45	T22130150	HOSE 25 L 1_50 WATER STDG	1,000	YANMAR 4JH3E+V4 V.CROISIE RE			
	45	T22130150	HOSE 25 L 1_50 WATER STDG	1,000	YANMAR 4JH3HTE 74KW(100 CV)D			
	45	T09020100	HOSE 30 L 1_00 AMORVIN	1,000	VOLVO MD22+V9 V.REGATE			
	45	T09020100	HOSE 30 L 1_00 AMORVIN	1,000	VOLVO MD22+V4 V.CROISIE RE			
	45	T09020100	HOSE 30 L 1_00 AMORVIN	1,000	VOLVO D2- 75 55KW( 75CV)D			
	45	T09020100	HOSE 30 L 1_00 AMORVIN	1,000	VOLVO TMD22+V9 V.REGATE			
	45	T09020100	HOSE 30 L 1_00 AMORVIN	1,000	VOLVO TMD22+V4 V.CROISIE RE			
	47	T22130090	HOSE 25 L 0_90 WATER STDG	1,000	VOLVO D2- 75 55KW( 75CV)D			
	47	T22130100	HOSE 25 L 1_00 WATER STDG	1,000	YANMAR 4JH3HTE+ V9 V.REGATE			
	47	T22130100	HOSE 25 L 1_00 WATER STDG	1,000	YANMAR 4JH3HTE 74KW(100 CV)D			

**COOLING ENGINE**

option	Pos.	Part No.	Description	Quant. per boat	Version / Option	SS_FAM	Begining hull number	Ending hull number
	47	T22130100	HOSE 25 L 1_00 WATER STDG	1,000	YANMAR 4JH3HTE+ V4 V.CROISIE RE			
	47	T22130100	HOSE 25 L 1_00 WATER STDG	1,000	YANMAR 4JH3E+V9 V.REGATE			
	47	T22130100	HOSE 25 L 1_00 WATER STDG	1,000	YANMAR 4JH3TE+V4 V.CROISIE RE			
	47	T22130100	HOSE 25 L 1_00 WATER STDG	1,000	YANMAR 4JH3TE+V9 V.REGATE			
	47	T22130100	HOSE 25 L 1_00 WATER STDG	1,000	YANMAR 4JH3E+V4 V.CROISIE RE			
	47	T09020090	HOSE 30 L 0_90 AMORVIN	1,000	VOLVO TMD22+V4 V.CROISIE RE			
	47	T09020090	HOSE 30 L 0_90 AMORVIN	1,000	VOLVO MD22+V4 V.CROISIE RE			
	47	T09020090	HOSE 30 L 0_90 AMORVIN	1,000	VOLVO TMD22+V9 V.REGATE			
	47	T09020090	HOSE 30 L 0_90 AMORVIN	1,000	VOLVO MD22+V9 V.REGATE			
	49	T22130090	HOSE 25 L 0_90 WATER STDG	1,000	YANMAR 4JH3HTE+ V4 V.CROISIE RE			

## COOLING ENGINE

option	Pos.	Part No.	Description	Quant. per boat	Version / Option	SS_FAM	Beginning hull number	Ending hull number
	49	T22130090	HOSE 25 L 0_90 WATER STDG	1,000	YANMAR 4JH3E+V9 V.REGATE			
	49	T22130090	HOSE 25 L 0_90 WATER STDG	1,000	YANMAR 4JH3HTE+ V9 V.REGATE			
	49	T22130090	HOSE 25 L 0_90 WATER STDG	1,000	YANMAR 4JH3TE+V9 V.REGATE			
	49	T22130090	HOSE 25 L 0_90 WATER STDG	1,000	VOLVO D2- 75 55KW( 75CV)D			
	49	T22130090	HOSE 25 L 0_90 WATER STDG	1,000	YANMAR 4JH3TE+V4 V.CROISIE RE			
	49	T22130090	HOSE 25 L 0_90 WATER STDG	1,000	YANMAR 4JH3E+V4 V.CROISIE RE			
	49	T22130090	HOSE 25 L 0_90 WATER STDG	1,000	YANMAR 4JH3HTE 74KW(100 CV)D			
	49	T09020090	HOSE 30 L 0_90 AMORVIN	1,000	VOLVO TMD22+V4 V.CROISIE RE			
	49	T09020090	HOSE 30 L 0_90 AMORVIN	1,000	VOLVO TMD22+V9 V.REGATE			
	49	T09020090	HOSE 30 L 0_90 AMORVIN	1,000	VOLVO MD22+V4 V.CROISIE RE			
	49	T09020090	HOSE 30 L 0_90 AMORVIN	1,000	VOLVO MD22+V9 V.REGATE			

**COOLING ENGINE**

option	Pos.	Part No.	Description	Quant. per boat	Version / Option	SS_FAM	Begining hull number	Ending hull number
	51	T18050050	HOSE 63 L 0_50 EXHAUST	1,000	VOLVO MD22+V9 V.REGATE			
	51	T18050050	HOSE 63 L 0_50 EXHAUST	1,000	VOLVO MD22+V4 V.CROISIE RE			
	51	T18060050	TUYAU 77 L 0_50 ECHAPT	1,000	YANMAR 4JH3HTE+ V4 V.CROISIE RE			
	51	T18060050	TUYAU 77 L 0_50 ECHAPT	1,000	YANMAR 4JH3HTE+ V9 V.REGATE			
	51	T18060050	TUYAU 77 L 0_50 ECHAPT	1,000	YANMAR 4JH3E+V4 V.CROISIE RE			
	51	T18060050	TUYAU 77 L 0_50 ECHAPT	1,000	YANMAR 4JH3TE+V9 V.REGATE			
	51	T18060050	TUYAU 77 L 0_50 ECHAPT	1,000	YANMAR 4JH3E+V9 V.REGATE			
	51	T18060050	TUYAU 77 L 0_50 ECHAPT	1,000	YANMAR 4JH3TE+V4 V.CROISIE RE			
	51	T18060050	TUYAU 77 L 0_50 ECHAPT	1,000	YANMAR 4JH3HTE 74KW(100 CV)D			
	51	T18070040	TUYAU 90 L 0_40 ECHAPT	1,000	VOLVO TMD22+V4 V.CROISIE RE			

**COOLING ENGINE**

option	Pos.	Part No.	Description	Quant. per boat	Version / Option	SS_FAM	Beginning hull number	Ending hull number
	51	T18070040	TUYAU 90 L 0_40 ECHAPT	1,000	VOLVO TMD22+V9 V.REGATE			
	51	T18070060	HOSE 90 L 0_60 EXHAUST	1,000	VOLVO D2- 75 55KW( 75CV)D			
	53	965397	POT EAU PLAST LSG 90 17L	1,000	VOLVO D2- 75 55KW( 75CV)D			
	53	035681	PLAST EXH BUBBL CHAMBER LSG75 17L	1,000	YANMAR 4JH3HTE 74KW(100 CV)D			
	53	038624	PLAST EXH BUBBL CHAMB LSG90 75	1,000	VOLVO TMD22+V4 V.CROISIE RE			
	53	035681	PLAST EXH BUBBL CHAMBER LSG75 17L	1,000	YANMAR 4JH3TE+V4 V.CROISIE RE			
	53	051365	PLASTIC WATER MUFFLER LSG60 17L	1,000	VOLVO MD22+V4 V.CROISIE RE			
	53	035681	PLAST EXH BUBBL CHAMBER LSG75 17L	1,000	YANMAR 4JH3E+V4 V.CROISIE RE			
	53	035681	PLAST EXH BUBBL CHAMBER LSG75 17L	1,000	YANMAR 4JH3HTE+ V4 V.CROISIE RE			
	53	035681	PLAST EXH BUBBL CHAMBER LSG75 17L	1,000	YANMAR 4JH3TE+V9 V.REGATE			

**COOLING ENGINE**

option	Pos.	Part No.	Description	Quant. per boat	Version / Option	SS_FAM	Begining hull number	Ending hull number
	53	035681	PLAST EXH BUBBL CHAMBER LSG75 17L	1,000	YANMAR 4JH3HTE+ V9 V.REGATE			
	53	051365	PLASTIC WATER MUFFLER LSG60 17L	1,000	VOLVO MD22+V9 V.REGATE			
	53	038624	PLAST EXH BUBBL CHAMB LSG90 75	1,000	VOLVO TMD22+V9 V.REGATE			
	53	035681	PLAST EXH BUBBL CHAMBER LSG75 17L	1,000	YANMAR 4JH3E+V9 V.REGATE			
	55	T18050600	HOSE 63 L 6_00 EXHAUST	1,000	VOLVO MD22+V4 V.CROISIE RE			
	55	T18050600	HOSE 63 L 6_00 EXHAUST	1,000	VOLVO MD22+V9 V.REGATE			
	55	T18060600	HOSE 77 L 6_00 EXHAUST	1,000	YANMAR 4JH3HTE 74KW(100 CV)D			
	55	T18060600	HOSE 77 L 6_00 EXHAUST	1,000	YANMAR 4JH3TE+V4 V.CROISIE RE			
	55	T18060600	HOSE 77 L 6_00 EXHAUST	1,000	YANMAR 4JH3E+V4 V.CROISIE RE			
	55	T18060600	HOSE 77 L 6_00 EXHAUST	1,000	YANMAR 4JH3TE+V9 V.REGATE			
	55	T18060600	HOSE 77 L 6_00 EXHAUST	1,000	VOLVO TMD22+V4 V.CROISIE RE			

**COOLING ENGINE**

option	Pos.	Part No.	Description	Quant. per boat	Version / Option	SS_FAM	Begining hull number	Ending hull number
	55	T18060600	HOSE 77 L 6_00 EXHAUST	1,000	YANMAR 4JH3HTE+ V9 V.REGATE			
	55	T18060600	HOSE 77 L 6_00 EXHAUST	1,000	YANMAR 4JH3E+V9 V.REGATE			
	55	T18060600	HOSE 77 L 6_00 EXHAUST	1,000	VOLVO TMD22+V9 V.REGATE			
	55	T18060600	HOSE 77 L 6_00 EXHAUST	1,000	YANMAR 4JH3HTE+ V4 V.CROISIE RE			
	55	T18070600	HOSE 90 L 6_00 EXHAUST	1,000	VOLVO D2- 75 55KW( 75CV)D			
	57	027418	RIGHT EXHAUST EXIT D 89	1,000	VOLVO D2- 75 55KW( 75CV)D			
	57	826600	EXHAUST SKIN FITTING STD DIA 76	1,000	YANMAR 4JH3HTE 74KW(100 CV)D			
	57	826600	EXHAUST SKIN FITTING STD DIA 76	1,000	YANMAR 4JH3E+V4 V.CROISIE RE			
	57	826500	EXHAUST SKIN FITTING STD DIA 63	1,000	VOLVO MD22+V4 V.CROISIE RE			
	57	826600	EXHAUST SKIN FITTING STD DIA 76	1,000	VOLVO TMD22+V4 V.CROISIE RE			

## COOLING ENGINE

option	Pos.	Part No.	Description	Quant. per boat	Version / Option	SS_FAM	Begining hull number	Ending hull number
	57	826600	EXHAUST SKIN FITTING STD DIA 76	1,000	YANMAR 4JH3HTE+ V4 V.CROISIE RE			
	57	826600	EXHAUST SKIN FITTING STD DIA 76	1,000	YANMAR 4JH3TE+V4 V.CROISIE RE			
	57	826600	EXHAUST SKIN FITTING STD DIA 76	1,000	YANMAR 4JH3TE+V9 V.REGATE			
	57	826500	EXHAUST SKIN FITTING STD DIA 63	1,000	VOLVO MD22+V9 V.REGATE			
	57	826600	EXHAUST SKIN FITTING STD DIA 76	1,000	YANMAR 4JH3HTE+ V9 V.REGATE			
	57	826600	EXHAUST SKIN FITTING STD DIA 76	1,000	VOLVO TMD22+V9 V.REGATE			
	57	826600	EXHAUST SKIN FITTING STD DIA 76	1,000	YANMAR 4JH3E+V9 V.REGATE			
	59	039633	SUPPORT PLATE FILTER VOLVO 22 NM	1,000	VOLVO TMD22+V4 V.CROISIE RE			
	59	039633	SUPPORT PLATE FILTER VOLVO 22 NM	1,000	VOLVO MD22+V4 V.CROISIE RE			
	59	039633	SUPPORT PLATE FILTER VOLVO 22 NM	1,000	VOLVO TMD22+V9 V.REGATE			
	59	039633	SUPPORT PLATE FILTER VOLVO 22 NM	1,000	VOLVO MD22+V9 V.REGATE			

## COOLING ENGINE

option	Pos.	Part No.	Description	Quant. per boat	Version / Option	SS_FAM	Begining hull number	Ending hull number
	61	039642	CONNECT KIT WATER HEATER V 22	1,000	VOLVO MD22+V4 V.CROISIE RE			
	61	039642	CONNECT KIT WATER HEATER V 22	1,000	VOLVO TMD22+V4 V.CROISIE RE			
	61	039642	CONNECT KIT WATER HEATER V 22	1,000	VOLVO TMD22+V9 V.REGATE			
	61	039642	CONNECT KIT WATER HEATER V 22	1,000	VOLVO MD22+V9 V.REGATE			
	63	T11090250	TUYAU 16 L 2_50 REFROID	1,000	VOLVO MD22+V4 V.CROISIE RE			
	63	T11090250	TUYAU 16 L 2_50 REFROID	1,000	YANMAR 4JH3E+V4 V.CROISIE RE			
	63	T11090250	TUYAU 16 L 2_50 REFROID	1,000	YANMAR 4JH3E+V9 V.REGATE			
	63	T11090250	TUYAU 16 L 2_50 REFROID	1,000	VOLVO MD22+V9 V.REGATE			
	63	T11090250	TUYAU 16 L 2_50 REFROID	1,000	YANMAR 4JH3HTE+ V9 V.REGATE			
	63	T11090250	TUYAU 16 L 2_50 REFROID	1,000	YANMAR 4JH3HTE+ V4 V.CROISIE RE			

## COOLING ENGINE

option	Pos.	Part No.	Description	Quant. per boat	Version / Option	SS_FAM	Beginning hull number	Ending hull number
	63	T11090250	TUYAU 16 L 2_50 REFROID	1,000	YANMAR 4JH3TE+V4 V.CROISIE RE			
	63	T11090250	TUYAU 16 L 2_50 REFROID	1,000	VOLVO TMD22+V9 V.REGATE			
	63	T11090250	TUYAU 16 L 2_50 REFROID	1,000	YANMAR 4JH3TE+V9 V.REGATE			
	63	T11090250	TUYAU 16 L 2_50 REFROID	1,000	VOLVO D2- 75 55KW( 75CV)D			
	63	T11090250	TUYAU 16 L 2_50 REFROID	1,000	YANMAR 4JH3HTE 74KW(100 CV)D			
	63	T11090250	TUYAU 16 L 2_50 REFROID	1,000	VOLVO TMD22+V4 V.CROISIE RE			
	65	T11090210	HOSE 15 L 2_10 COOLING	1,000	VOLVO TMD22+V4 V.CROISIE RE			
	65	T11090210	HOSE 15 L 2_10 COOLING	1,000	YANMAR 4JH3TE+V9 V.REGATE			
	65	T11090210	HOSE 15 L 2_10 COOLING	1,000	YANMAR 4JH3TE+V4 V.CROISIE RE			
	65	T11090210	HOSE 15 L 2_10 COOLING	1,000	YANMAR 4JH3HTE 74KW(100 CV)D			

**COOLING ENGINE**

option	Pos.	Part No.	Description	Quant. per boat	Version / Option	SS_FAM	Beginning hull number	Ending hull number
	65	T11090210	HOSE 15 L 2_10 COOLING	1,000	YANMAR 4JH3E+V4 V.CROISIE RE			
	65	T11090210	HOSE 15 L 2_10 COOLING	1,000	VOLVO MD22+V9 V.REGATE			
	65	T11090210	HOSE 15 L 2_10 COOLING	1,000	VOLVO D2- 75 55KW( 75CV)D			
	65	T11090210	HOSE 15 L 2_10 COOLING	1,000	VOLVO MD22+V4 V.CROISIE RE			
	65	T11090210	HOSE 15 L 2_10 COOLING	1,000	VOLVO TMD22+V9 V.REGATE			
	65	T11090210	HOSE 15 L 2_10 COOLING	1,000	YANMAR 4JH3E+V9 V.REGATE			
	65	T11090210	HOSE 15 L 2_10 COOLING	1,000	YANMAR 4JH3HTE+ V9 V.REGATE			
	65	T11090210	HOSE 15 L 2_10 COOLING	1,000	YANMAR 4JH3HTE+ V4 V.CROISIE RE			
	67	073711	ELBOW 90 MF 1_2P STDG BRZ AM	2,000	YANMAR 4JH3HTE 74KW(100 CV)D			
	67	073711	ELBOW 90 MF 1_2P STDG BRZ AM	2,000	YANMAR 4JH3TE+V4 V.CROISIE RE			

**COOLING ENGINE**

option	Pos.	Part No.	Description	Quant. per boat	Version / Option	SS_FAM	Begining hull number	Ending hull number
	67	073711	ELBOW 90 MF 1_2P STDG BRZ AM	2,000	YANMAR 4JH3E+V4 V.CROISIE RE			
	67	073711	ELBOW 90 MF 1_2P STDG BRZ AM	2,000	YANMAR 4JH3HTE+ V4 V.CROISIE RE			
	67	073711	ELBOW 90 MF 1_2P STDG BRZ AM	2,000	YANMAR 4JH3E+V9 V.REGATE			
	67	073711	ELBOW 90 MF 1_2P STDG BRZ AM	2,000	YANMAR 4JH3TE+V9 V.REGATE			
	67	073711	ELBOW 90 MF 1_2P STDG BRZ AM	2,000	YANMAR 4JH3HTE+ V9 V.REGATE			
	69	739952	BRASS STRAIGHT COUPLING MF 12X17-15X21	2,000	YANMAR 4JH3HTE 74KW(100 CV)D			
	69	739952	BRASS STRAIGHT COUPLING MF 12X17-15X21	2,000	YANMAR 4JH3E+V4 V.CROISIE RE			
	69	739952	BRASS STRAIGHT COUPLING MF 12X17-15X21	2,000	YANMAR 4JH3TE+V4 V.CROISIE RE			
	69	739952	BRASS STRAIGHT COUPLING MF 12X17-15X21	2,000	YANMAR 4JH3HTE+ V4 V.CROISIE RE			
	69	739952	BRASS STRAIGHT COUPLING MF 12X17-15X21	2,000	YANMAR 4JH3E+V9 V.REGATE			

**COOLING ENGINE**

option	Pos.	Part No.	Description	Quant. per boat	Version / Option	SS_FAM	Begining hull number	Ending hull number
	69	739952	BRASS STRAIGHT COUPLING MF 12X17-15X21	2,000	YANMAR 4JH3HTE+ V9 V.REGATE			
	69	739952	BRASS STRAIGHT COUPLING MF 12X17-15X21	2,000	YANMAR 4JH3TE+V9 V.REGATE			
	71	342600	BRASS STR GROOVED END-PIECE M15X21 D18	2,000	YANMAR 4JH3HTE 74KW(100 CV)D			
	71	342600	BRASS STR GROOVED END-PIECE M15X21 D18	2,000	YANMAR 4JH3TE+V4 V.CROISIE RE			
	71	342600	BRASS STR GROOVED END-PIECE M15X21 D18	2,000	YANMAR 4JH3HTE+ V4 V.CROISIE RE			
	71	342600	BRASS STR GROOVED END-PIECE M15X21 D18	2,000	YANMAR 4JH3E+V4 V.CROISIE RE			
	71	342600	BRASS STR GROOVED END-PIECE M15X21 D18	2,000	YANMAR 4JH3HTE+ V9 V.REGATE			
	71	342600	BRASS STR GROOVED END-PIECE M15X21 D18	2,000	YANMAR 4JH3E+V9 V.REGATE			
	71	342600	BRASS STR GROOVED END-PIECE M15X21 D18	2,000	YANMAR 4JH3TE+V9 V.REGATE			
	73	954354	NEOPRENE SLEEVE 50X52 H50	4,000	VOLVO MD22+V4 V.CROISIE RE			

