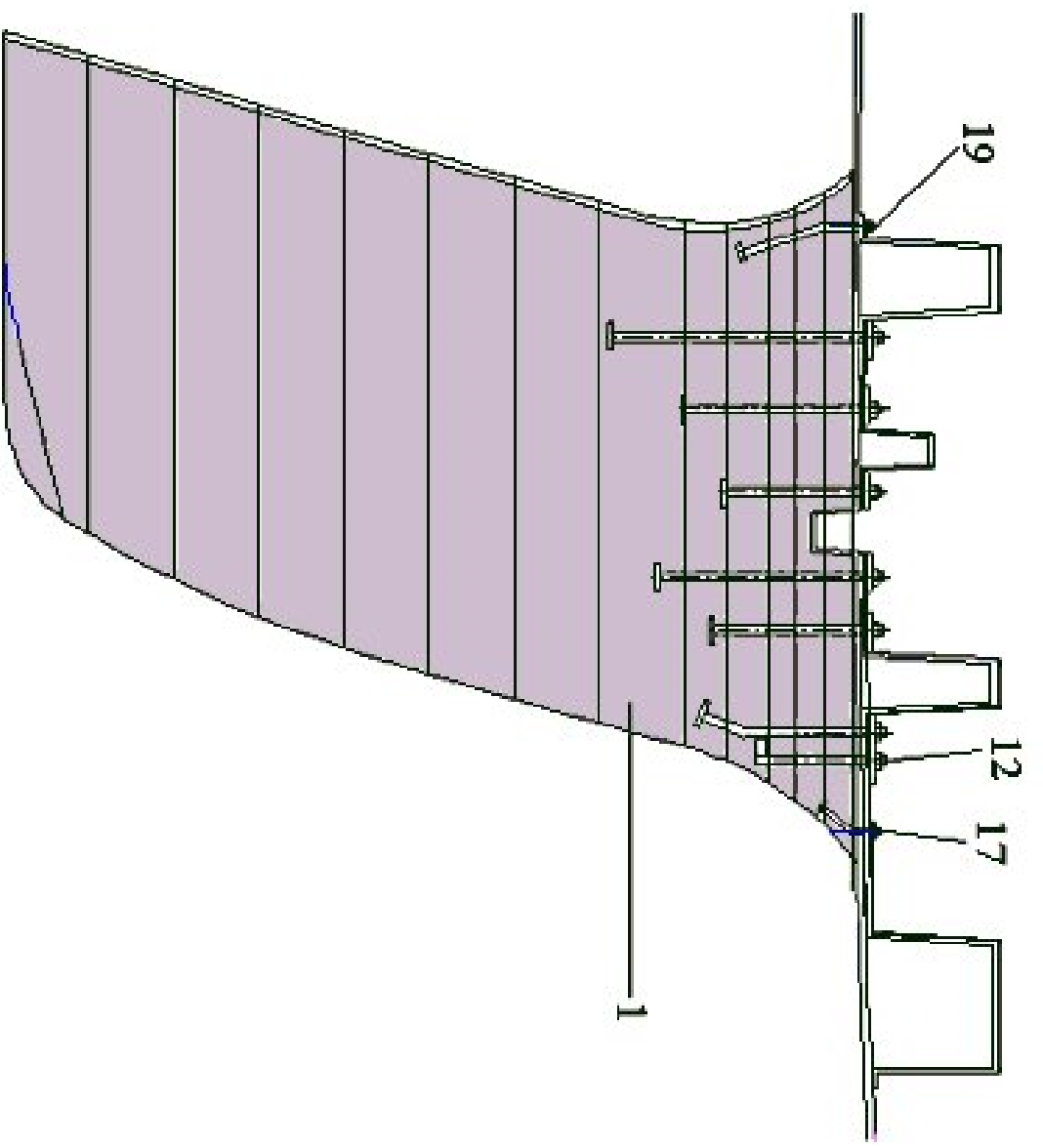
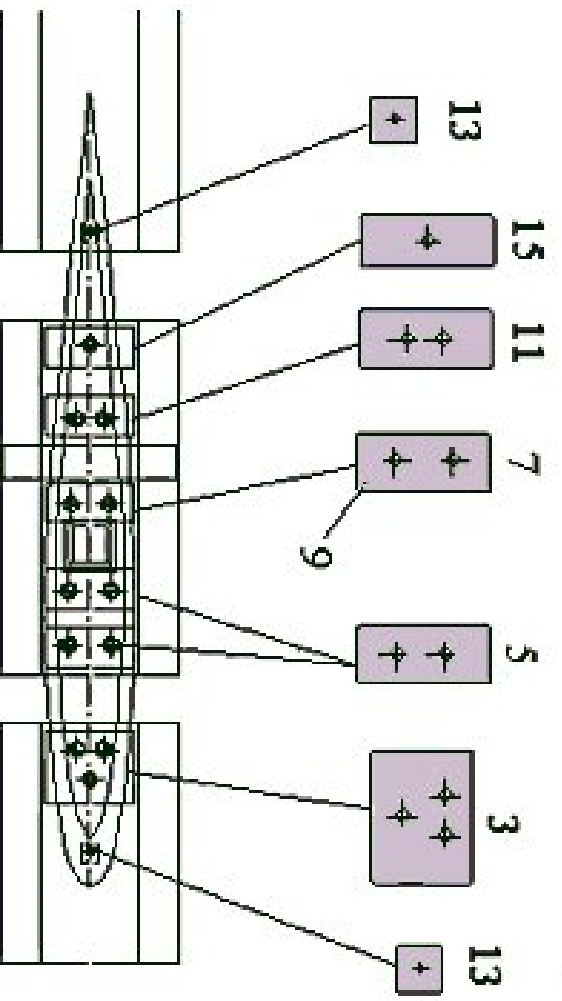
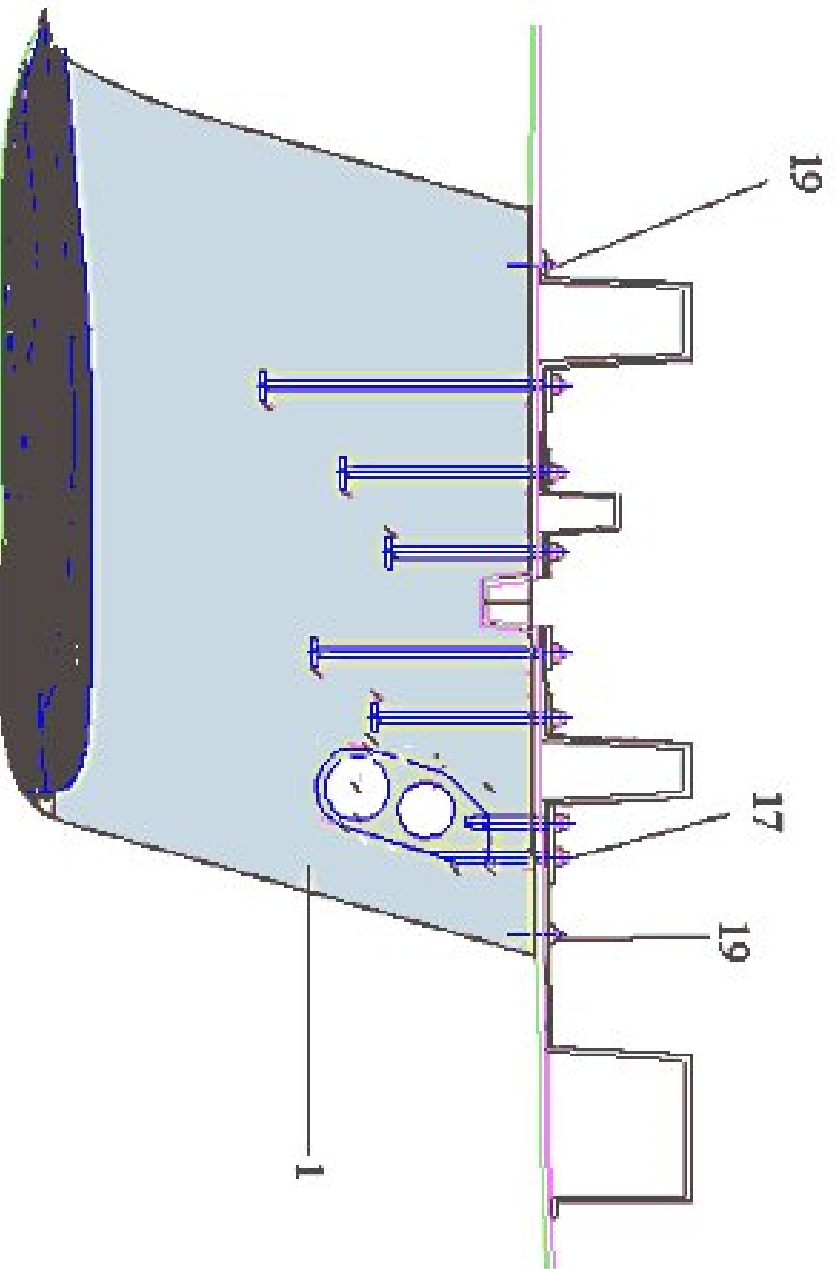
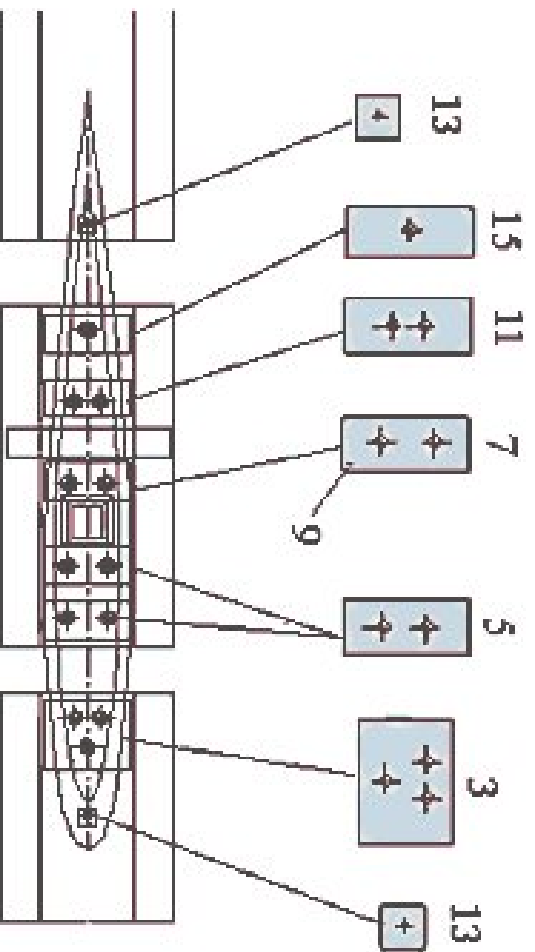


FIRST 47.7 VERSION LEST GTE PLOMB (L22)

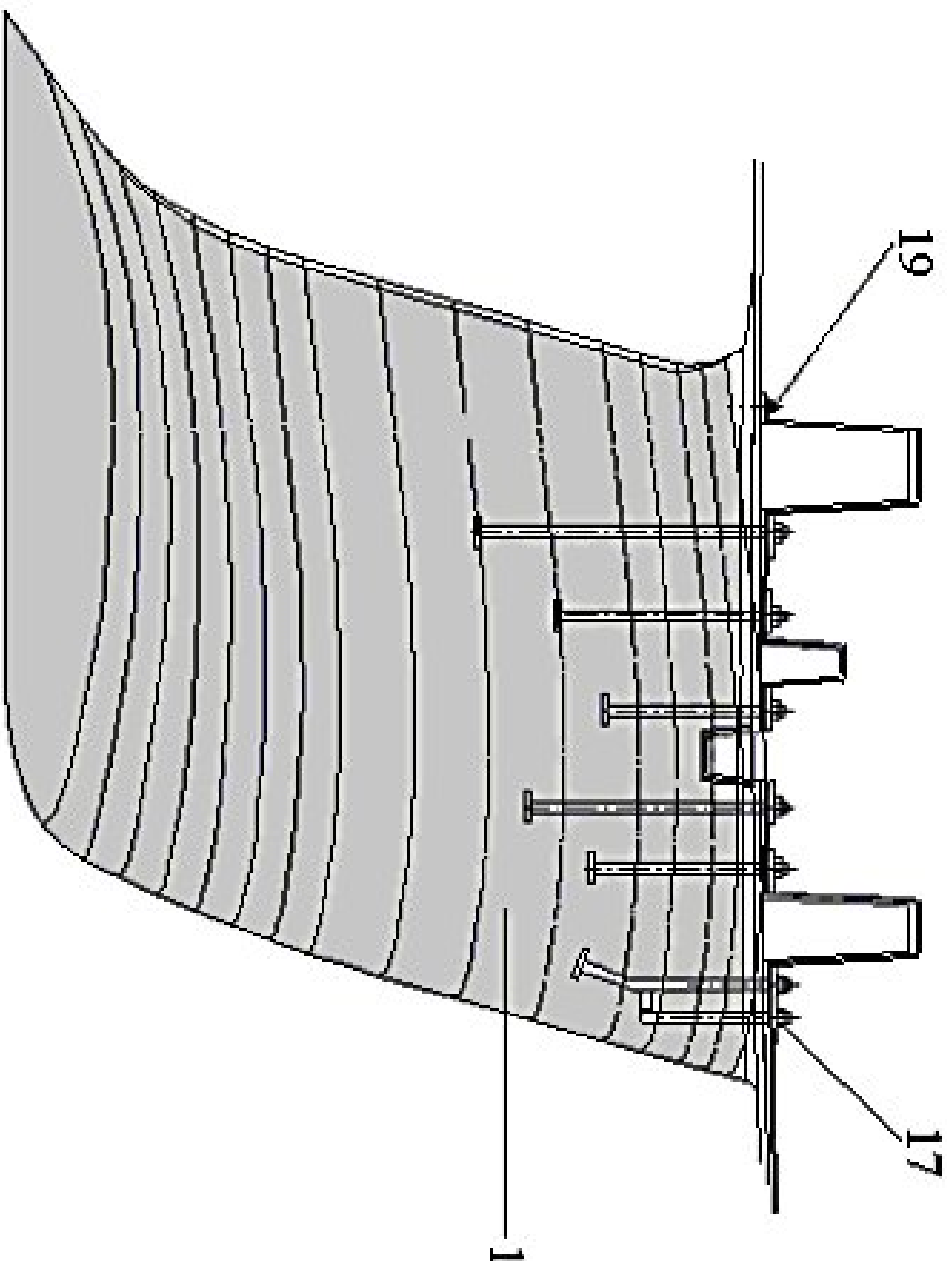
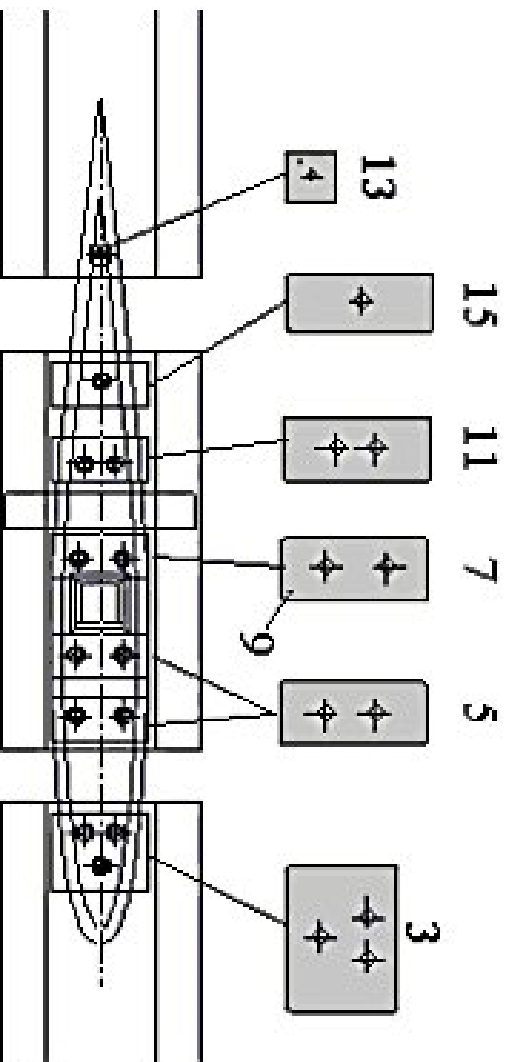


FIRST 47.7 VERSION LEST PTE PLOMB AILETTES (L32)



BALLAST

FIRST 47.7 VERSION LEST PTE PLOMB (L12)



BALLAST

BALLAST

option	Pos.	Part No.	Description	Quant. per boat	Version / Option	SS_FAM	Begining hull number	Ending hull number
	1	052300	SHOAL KEEL 18470 WING (LEAD)	1,000	LEST AILETTES PLOMB			
	1	049476	DEEP LEAD KEEL 18470! NOT AVAILABLE !	1,000	QUILLE GTE PLOMB			
	1	049475	SHOAL KEEL 18470 LEAD / NOT AVAILABLE	1,000	QUILLE PTE PLOMB			
	3	049802	S S PLATE 230X173X12+3HOLES D26	1,000	LEST AILETTES PLOMB			
	3	049802	S S PLATE 230X173X12+3HOLES D26	1,000	QUILLE GTE PLOMB			
	3	049802	S S PLATE 230X173X12+3HOLES D26	1,000	QUILLE PTE PLOMB			
	5	049803	S S PLATE 230X 90X12 D26 EA108	2,000	LEST AILETTES PLOMB			
	5	049803	S S PLATE 230X 90X12 D26 EA108	2,000	QUILLE GTE PLOMB			
	5	049803	S S PLATE 230X 90X12 D26 EA108	2,000	QUILLE PTE PLOMB			
	7	049804	S S PLATE 230X 90X12 D26 EA98	1,000	LEST AILETTES PLOMB			
	7	049804	S S PLATE 230X 90X12 D26 EA98	1,000	QUILLE PTE PLOMB			
	7	049804	S S PLATE 230X 90X12 D26 EA98	1,000	QUILLE GTE PLOMB			
	9	933800	S S METRIC SCREW HEXH 6X40 FE	1,000	QUILLE GTE PLOMB			
	9	933800	S S METRIC SCREW HEXH 6X40 FE	1,000	QUILLE PTE PLOMB			
	9	933800	S S METRIC SCREW HEXH 6X40 FE	1,000	LEST AILETTES PLOMB			

BALLAST

option	Pos.	Part No.	Description	Quant. per boat	Version / Option	SS_FAM	Begining hull number	Ending hull number
	11	049805	S S PLATE 230X 90X12 D26 EA70	1,000	LEST AILETTES PLOMB			
	11	049805	S S PLATE 230X 90X12 D26 EA70	1,000	QUILLE GTE PLOMB			
	11	049805	S S PLATE 230X 90X12 D26 EA70	1,000	QUILLE PTE PLOMB			
	12	326500	S STEEL HEX NUT DIA 6	1,000	QUILLE GTE PLOMB			
	13	049806	S S PLATE 070X 70X 8 +HOLE D16	1,000	QUILLE PTE PLOMB			
	13	049806	S S PLATE 070X 70X 8 +HOLE D16	2,000	QUILLE GTE PLOMB			
	13	049806	S S PLATE 070X 70X 8 +HOLE D16	2,000	LEST AILETTES PLOMB			
	15	049807	S S PLATE 230X 90X12+HOLE D26	1,000	QUILLE PTE PLOMB			
	15	049807	S S PLATE 230X 90X12+HOLE D26	1,000	QUILLE GTE PLOMB			
	15	049807	S S PLATE 230X 90X12+HOLE D26	1,000	LEST AILETTES PLOMB			
	17	327300	S STEEL HEX NUT DIA 24	12,000	QUILLE GTE PLOMB			
	17	327300	S STEEL HEX NUT DIA 24	12,000	LEST AILETTES PLOMB			
	17	327300	S STEEL HEX NUT DIA 24	12,000	QUILLE PTE PLOMB			
	19	326900	S STEEL HEX NUT DIA 14	1,000	QUILLE PTE PLOMB			
	19	326900	S STEEL HEX NUT DIA 14	2,000	QUILLE GTE PLOMB			

