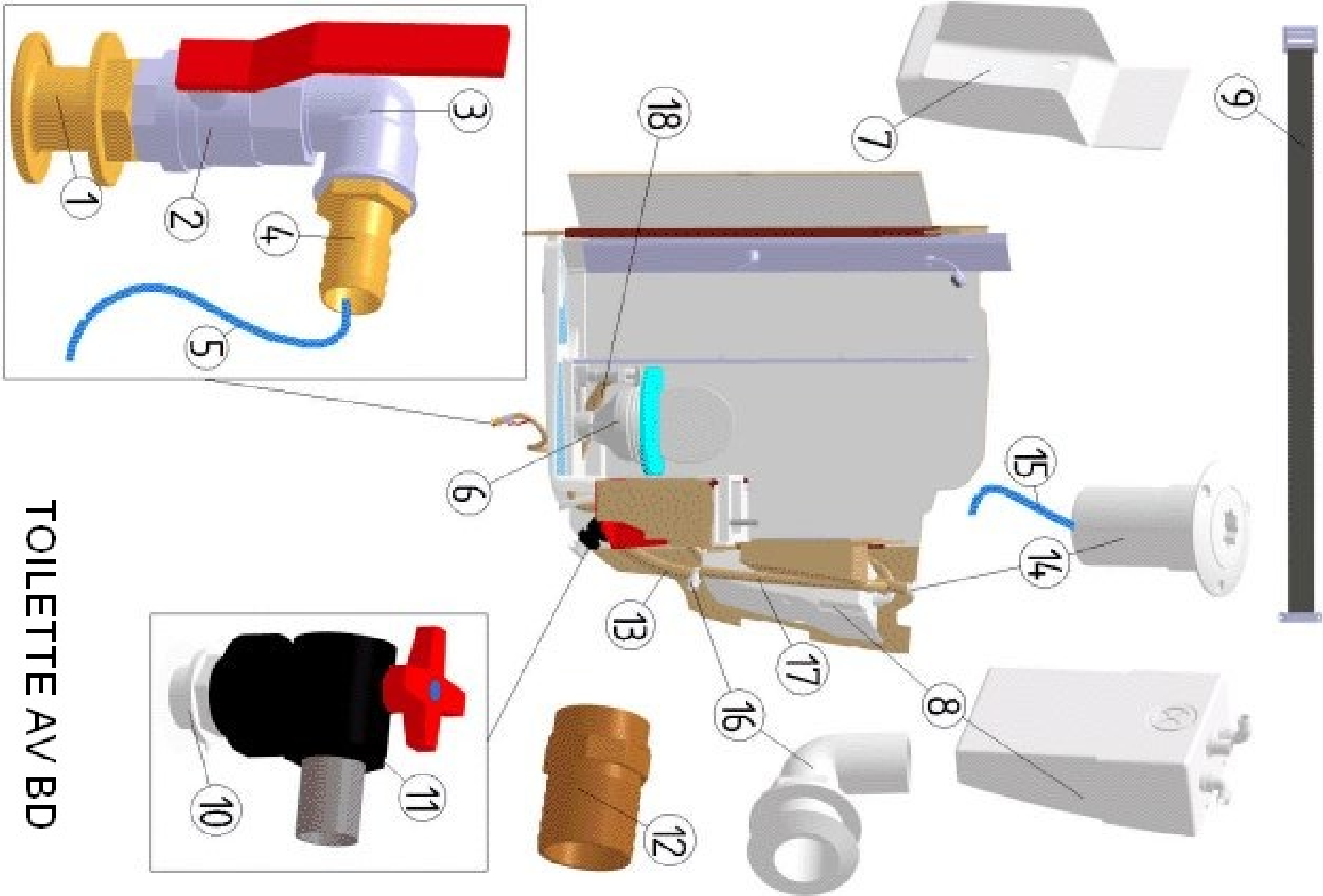
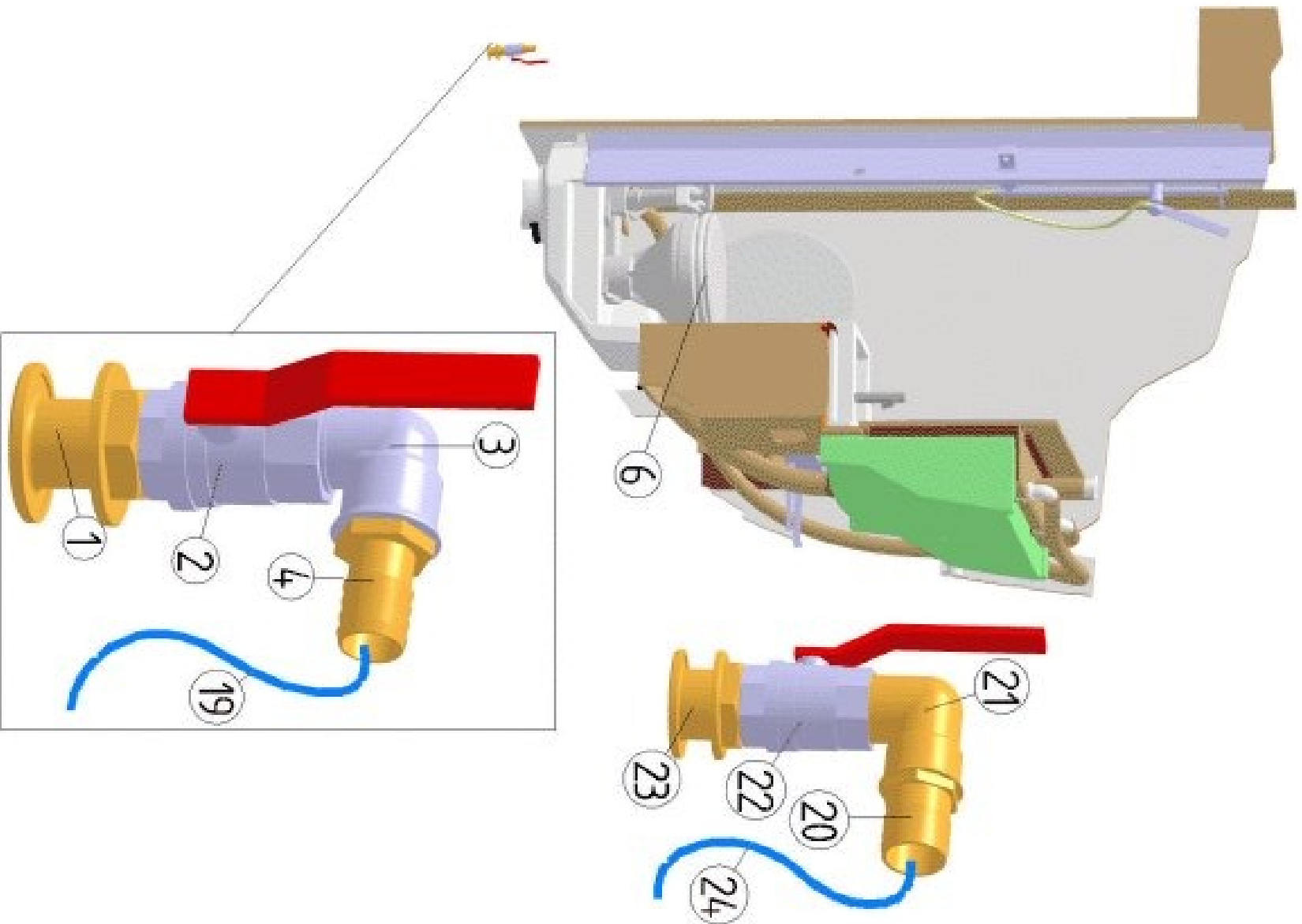


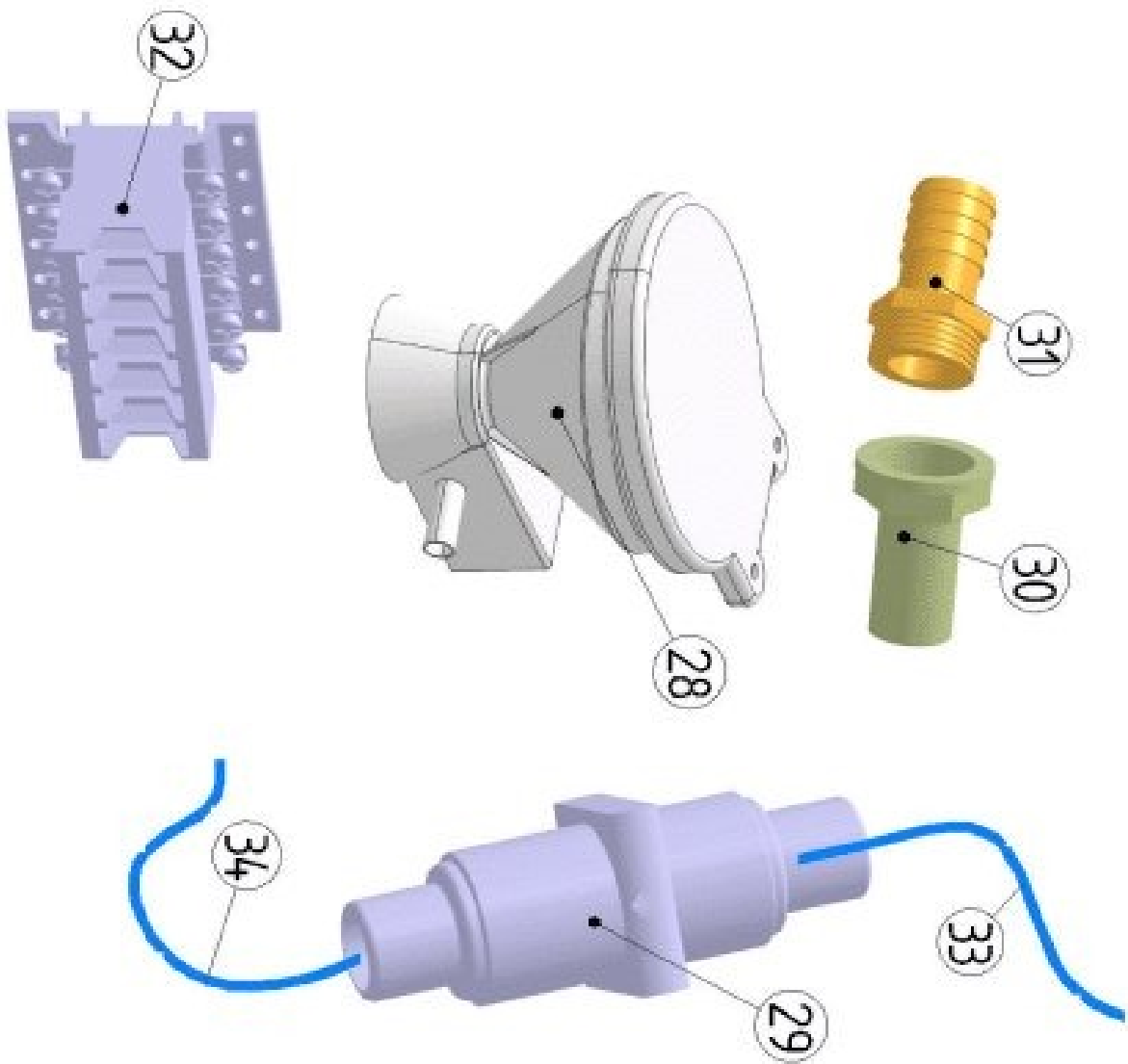
TOILET



TOILETTE AR BD



TOILETTE AV BD



TOILET

option	Pos.	Part No.	Description	Quant. per boat	Version / Option	SS_FAM	Begining hull number	Ending hull number
	1	070294	THRU HULL BR 20X27 3 4	2,000				
	2	026068	VALVE BALL 1 4 T 20X27 BR W S S HANDLE	2,000				
	3	073712	ELBOW 90 MF 3_4P STDG BRZ AM	2,000				
	4	342700	HOSE BARB MALE BRASS 20X27 D19	2,000				
	5	T22120220	HOSE 20 L 2_20 WATER STDG	1,000				88
	5	T22B0200220	TUYAU EAU GRIS D 20 L2200	1,000				104
	6	982658	WC MARIN CUVETTE LARG LEFT NEW	1,000				104
	6	017988	WC PUMP NM	1,000				104
	6	149011	STEERING WHEEL NUT	1,000				104
	7	080495	POLYEST SUPP WASTE TANK 200080	1,000				
	8	200080	WASTE TANK ROTO 73L (CE) IDYLLE	1,000				
	9	076364	BLACK WEBBING STRAP L1000 COMPLETE NM	1,000				
	10	063695	THRU HULL 2 DN50	1,000				
	11	069615	VALVE 2-WAY 90° 2P	1,000				
	12	063694	HOSE BARB D60 M2P	1,000				
	13	T10040055	HOSE SANI D60 L 0_55 WHITE	1,000				
	14	065248	S S DECK FILLER WASTE	1,000				
	14	072448	S S WASTE DECK FILLER! NOT AVAILABLE !	1,000				
	15	T10060011	TUYAU 50 L 0_11 BLC	1,000				
	16	058483	THRU HULL 90 ELBOW D38 BARB	1,000				
	17	T10030100	TUYAU 38 L 1_00 BLC	1,000				
	18	T10030250	TUYAU 38 L 2_50 BLC	1,000				
	19	T22B0200150	GREY WATER PIPE D 20 L 1500	1,000				
	20	051931	BRASS STR GROOVED END-PIECE M33X42 D40	1,000				
	21	073714	ELBOW 90 MF 1P1_4 STDG BRZ AM	1,000				
	22	903956	2 WAY VALVE 1/4 FF 33X42 BRASS S/S JN	1,000			67	

TOILET

option	Pos.	Part No.	Description	Quant. per boat	Version / Option	SS_FAM	Begining hull number	Ending hull number
	22	903956	2 WAY VALVE 1/4 FF 33X42 BRASS S/S JN	1,000				66
	23	070297	THRU HULL BRASS 33X42 1P1 4	1,000				
	24	T10030110	TUYAU 38 L 1_10 BLC	1,000				
	28	975408	WC MARIN ELECT QUIET FLUSH 12V	1,000			105	
	28	149009	TOILET PUMP	1,000			105	
	28	149010	SEAT LID FIXATION	1,000			105	
	29	025657	NON-RETURN VALVE D25-38	1,000			105	
	30	026425	BRASS STR GROOVED END-PIECE F20X27 D19	1,000			105	
	31	342700	HOSE BARB MALE BRASS 20X27 D19	1,000			105	
	32	057037	UNIPOLAR BREAKER 20A 12V ETA 1170	1,000			105	
	33	T10B0380020	TUYAU PVC BLANC D 38 L 200	1,000			105	
	34	T22B0250300	HOSE WASTE WATER D 25 L 3000	1,000				