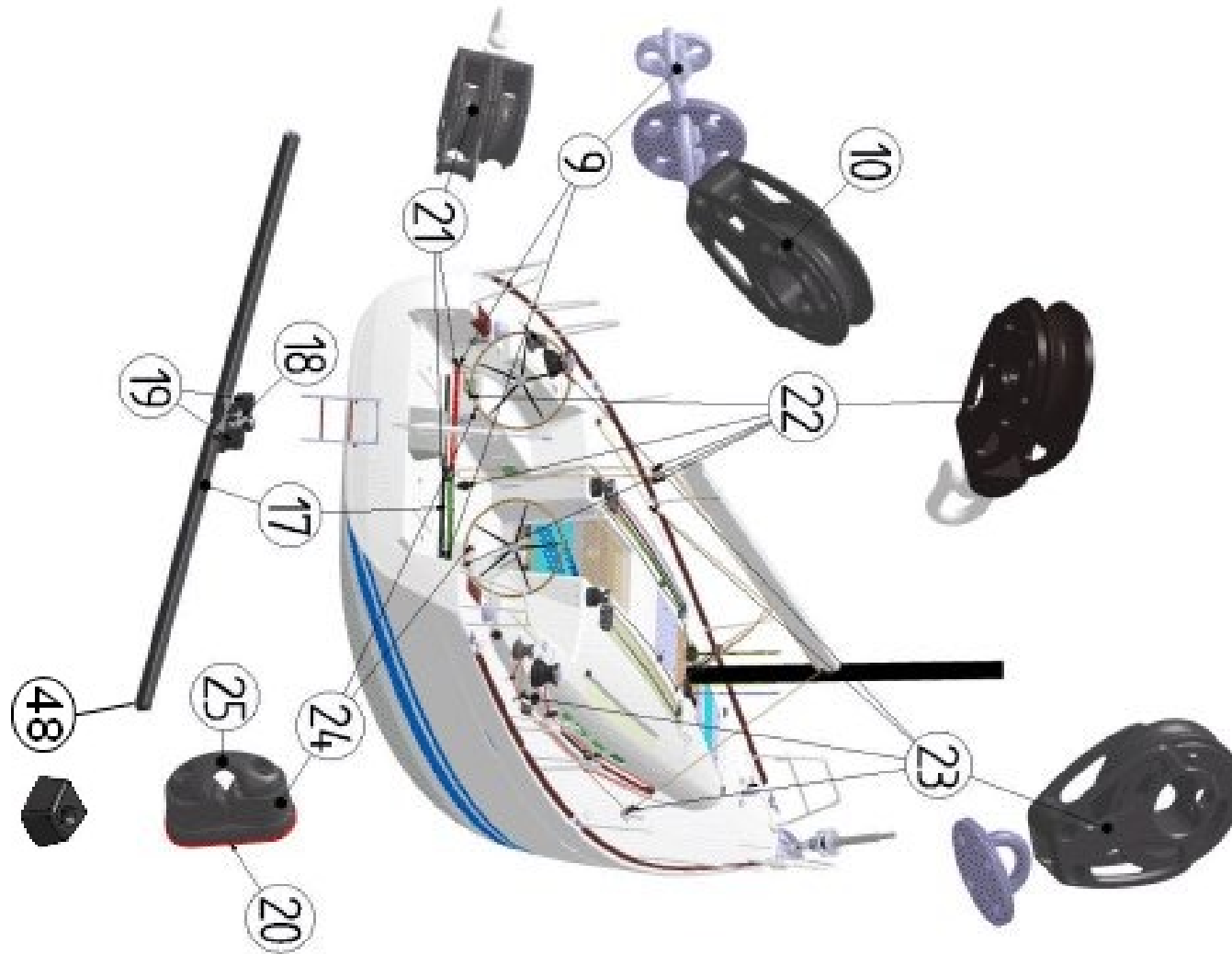


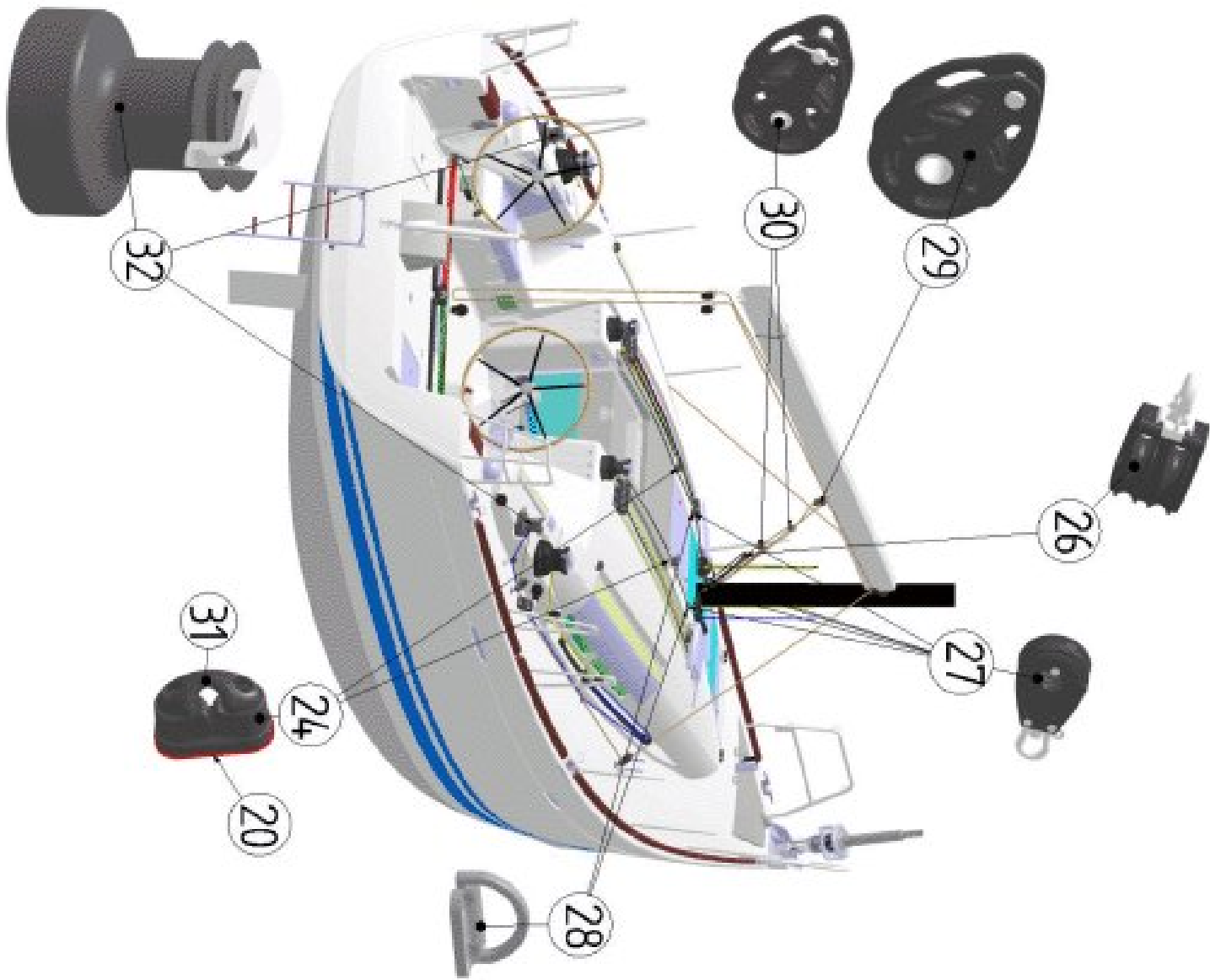
RUNNING RIGGING DECK GEAR



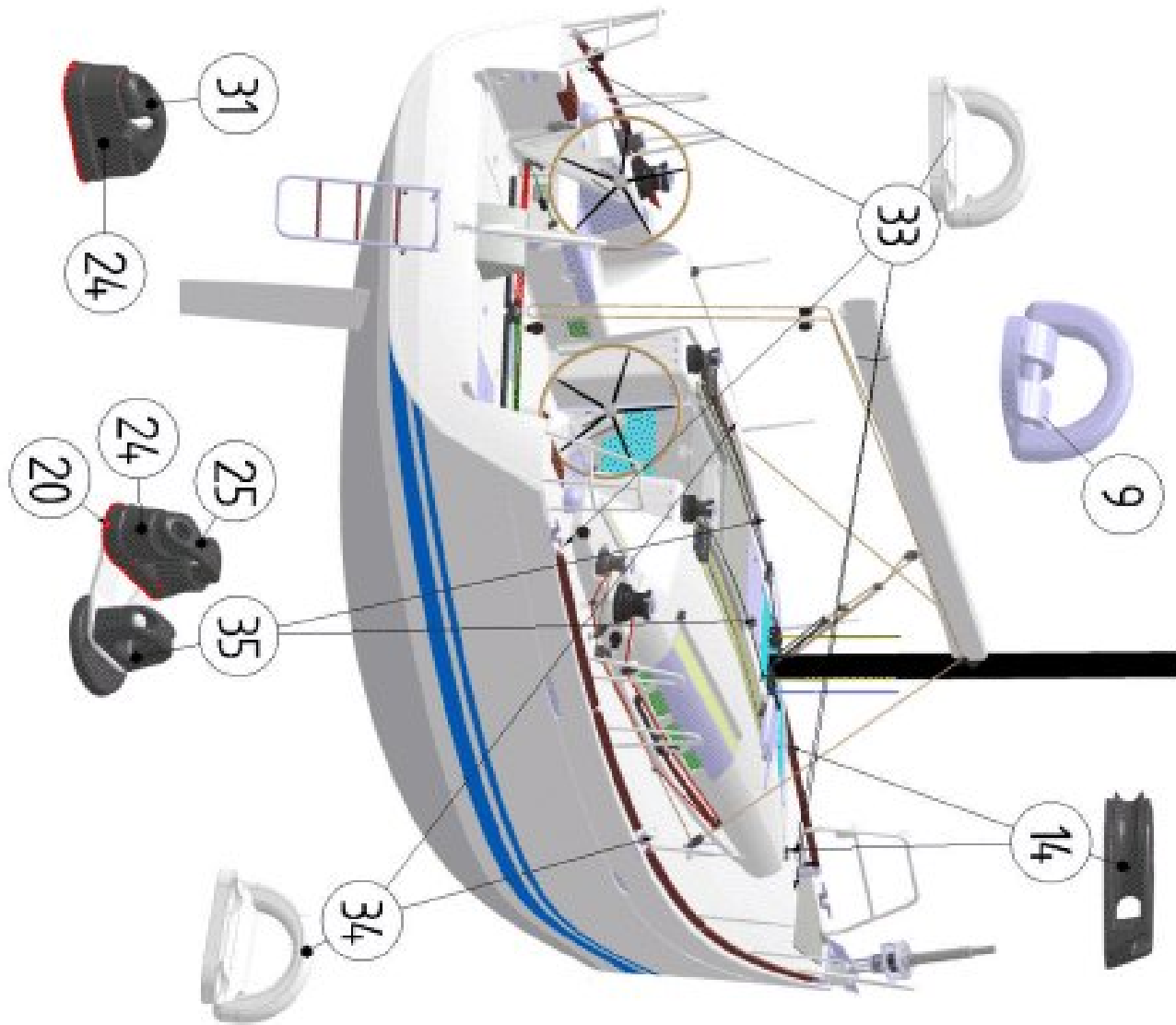
RUNNING RIGGING DECK GEAR



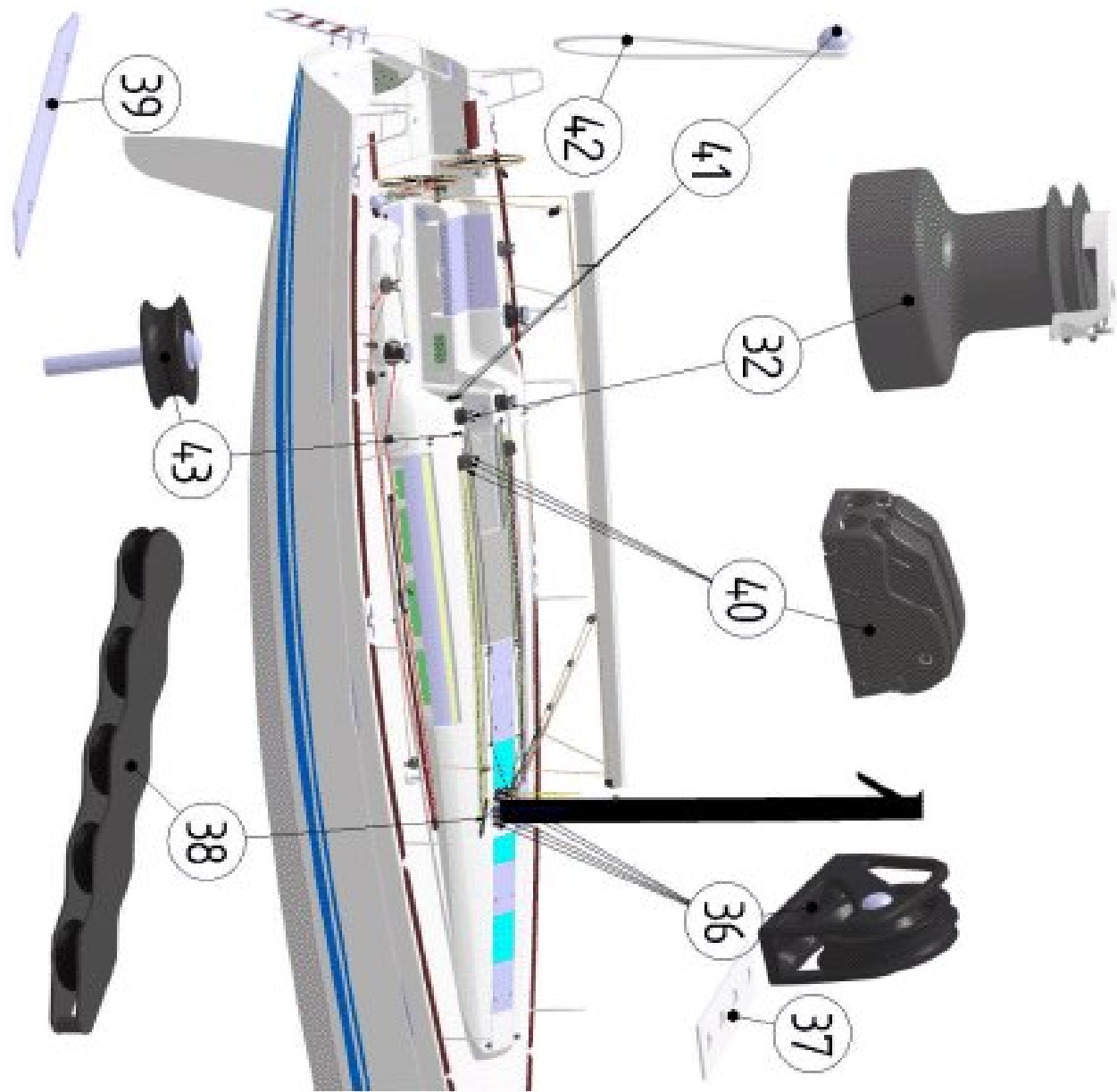
RUNNING RIGGING DECK GEAR



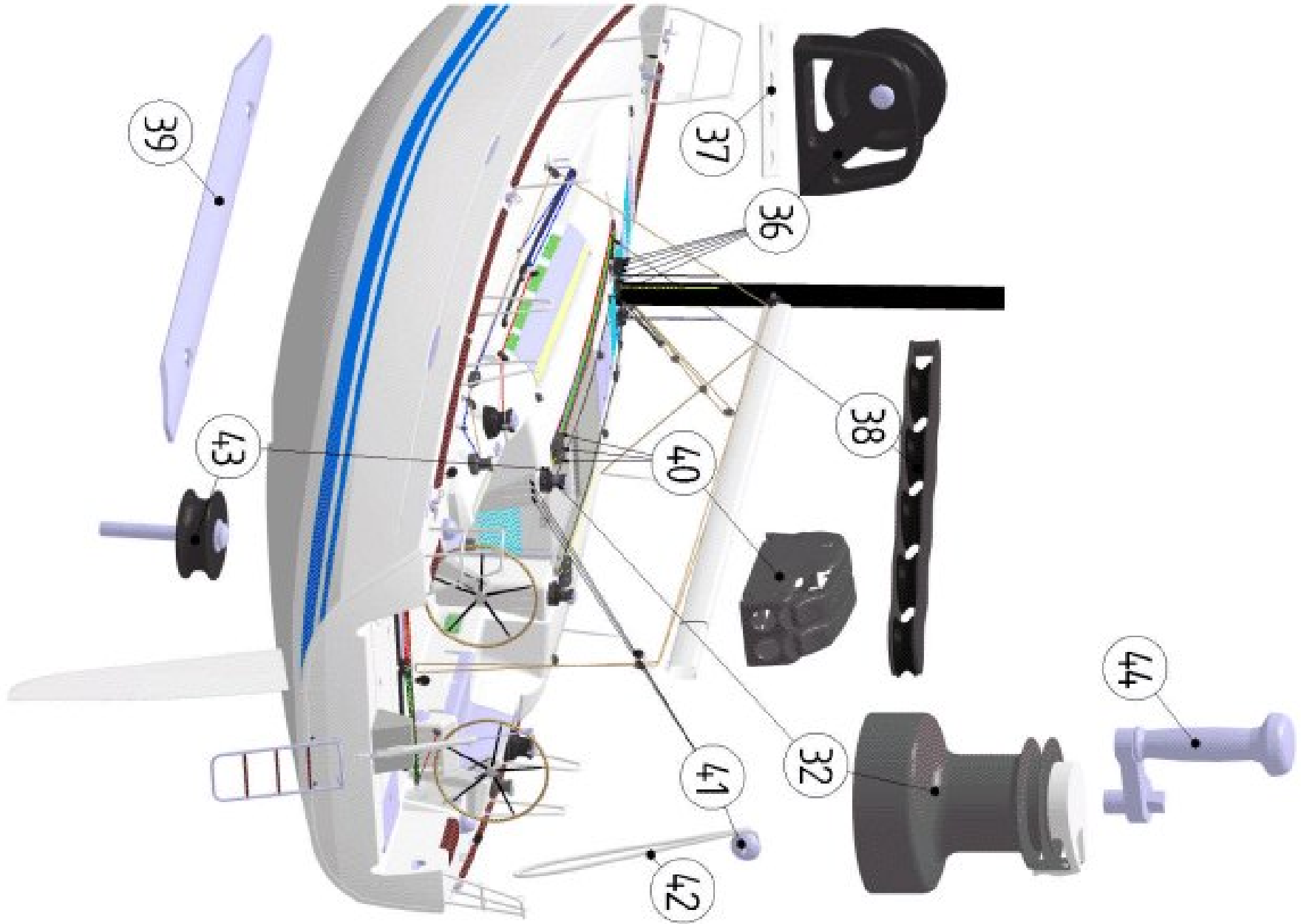
RUNNING RIGGING DECK GEAR



RUNNING RIGGING DECK GEAR



RUNNING RIGGING DECK GEAR



RUNNING RIGGING DECK GEAR

option	Pos.	Part No.	Description	Quant. per boat	Version / Option	SS_FAM	Beginning hull number	Ending hull number
	1	077967	RAIL GENOIS HC8389 L3600	2,000				102
	1	132539	RAIL GV/GEN LP L3600 MR H	2,000			103	
	2	078821	GENOA CAR HOLT H554+BLOCK H3044	2,000				
	3	078822	HARKEN 3173 FWD GENOA TRACK END	4,000				
	4	078823	HARKEN 577 AFT GENOA TRACK END	4,000				
	5	986107	SINGLE TURNING BLOCK ESP75MM H6092	2,000				
	6	074001	SET ACCESSORY GENOA TRACK 18500	1,000				102
	6	124222	STOP TRACK-END FITTING LP MR H	2,000			103	
	7	072972	S/S RING DIA 16 SPINLOCK AM	3,000				101
	7	127784	S/S RING DIA 16 SPINLOCK NM	3,000			102	
	8	060784	MANUAL DOUBLE STOPPER NM	2,000				101
	8	128864	MANUAL DOUBLE STOPPER NM	2,000			102	
	9	041503	ARTICULATED CHAINPLATE D6 BREAK 1600KG	6,000				
	9	041503	ARTICULATED CHAINPLATE D6 BREAK 1600KG	1,000			9	
	9	041503	ARTICULATED CHAINPLATE D6 BREAK 1600KG	2,000			48	
	10	975154	SINGLE BLOCK SWIVEL D40 CARBO	4,000				
	10	975154	SINGLE BLOCK SWIVEL D40 CARBO	1,000			9	
	11	003202	ARTICULATED CHAINPLATE D 6 BREAK 2700KG	2,000			48	
	12	080433	FURLING DRUM KIT 18450	1,000				
	13	080434	GENOA FURLING TUBE 18450	1,000				
	14	060633	SINGLE CHEEK BLOCK D 57 CARBO	1,000				26
	14	060633	SINGLE CHEEK BLOCK D 57 CARBO	2,000			48	
	15	035993	BLOCK STANCHION	1,000				21
	16	962353	HARKEN WINCH 53_2 STA	2,000				84
	16	091124	HARKEN WINCH 50_2 STA	2,000			85	104
	16	091125	WINCH H 60.2 STA NM	2,000			105	

RUNNING RIGGING DECK GEAR

option	Pos.	Part No.	Description	Quant. per boat	Version / Option	SS_FAM	Begining hull number	Ending hull number
	16	091124	HARKEN WINCH 50_2 STA	2,000			105	
	17	078052	RAIL HARKEN H3154 L1800	1,000				102
	17	125694	RAIL GV GEN LP L1800 BB H	1,000			103	
	18	078053	MAINSAIL CAR HARKEN 3164	1,000				101
	18	127038	MAINSAIL TRAVELLER PTFIX BB H	1,000			102	
	19	078054	DOUBLE BLOCK SWIVEL D40 HARK 2642	2,000				
	20	039954	HOUSING HARKEN 295 HY BEAM CLEAT	2,000				
	20	039954	HOUSING HARKEN 295 HY BEAM CLEAT	4,000			48	
	21	977249	DOUBLE BLOCK W BECKET D40 HARK 2639	2,000				
	22	050872	SINGLE BLOCK W SWIVEL ESP75MM	5,000				92
	22	078038	SINGLE BLOCK W SWIVEL ESP100MM	5,000			93	
	23	071718	SINGLE BLOCK D 75 BLACK MAGIC VERT.+RES	4,000				
	24	851110	HY BEAM 150 CLEAT	2,000				
	24	851110	HY BEAM 150 CLEAT	6,000			48	
	25	058612	GUIDE HY BEAN H425B	2,000				
	25	058612	GUIDE HY BEAN H425B	2,000			48	
	26	975846	DOUBLE BLOCK SWIVEL D40 HARK 2638	1,000				
	27	975154	SINGLE BLOCK SWIVEL D40 CARBO	3,000				47
	27	975154	SINGLE BLOCK SWIVEL D40 CARBO	5,000			48	
	28	003202	ARTICULATED CHAINPLATE D 6 BREAK 2700KG	2,000			48	
	29	051089	SINGLE BLOCK W TOGGLE ESP75MM	1,000				
	30	975257	BLOCK SINGLE SC57 H6050 ESP	1,000				
	30	975257	BLOCK SINGLE SC57 H6050 ESP	1,000			9	
	31	990491	GUIDE TAQUET H375	4,000			48	
	32	956806	HARKEN WINCH 44_2 STA	4,000				84
	32	091123	HARKEN WINCH 46_2 STA NM	4,000			85	104

RUNNING RIGGING DECK GEAR

option	Pos.	Part No.	Description	Quant. per boat	Version / Option	SS_FAM	Begining hull number	Ending hull number
	33	003204	ARTICULATED CHAINPLATE D10 BREAK 9000KG	2,000				47
	33	003204	ARTICULATED CHAINPLATE D10 BREAK 9000KG	4,000			48	
	34	003203	ARTICULATED CHAINPLATE D 8 BREAK 4500KG	2,000			48	
	35	072972	S/S RING DIA 16 SPINLOCK AM	2,000			48	101
	35	127784	S/S RING DIA 16 SPINLOCK NM	2,000			102	
	36	073290	MAST STEP BLOCK D75	10,000				
	37	905353	S/S MAST STEP BLOCK BACKPLATE D75	10,000			14	
	38	078039	CHEEK BLOCK 5 ALU SHEAVES D57 ESP	2,000				
	39	973838	PROTECT IN PAVOIS L 200	4,000				
	40	060784	MANUAL DOUBLE STOPPER NM	3,000				47
	40	060784	MANUAL DOUBLE STOPPER NM	3,000			48	101
	40	060783	BLACK MANUAL SINGLE XL STOPPER NM	1,000				47
	40	060784	MANUAL DOUBLE STOPPER NM	3,000			48	101
	40	128864	MANUAL DOUBLE STOPPER NM	3,000			102	
	40	128864	MANUAL DOUBLE STOPPER NM	3,000			102	
	41	007984	LINE HANGER	6,000				
	42	010782	LINE HANGER LINE D4 LGTH550 BLACK	6,000				
	43	073217	REA DERIVAT.WINCH HTE RESIST.	2,000			33	75
	43	085795	REA DERIV.WINCH HR	2,000			76	
	44	049555	ALU HANDLE HARKEN B10ASG SPEEDGRIP	2,000				
	45	124884	EMB.RAIL 2 REAS LP MR H AM	2,000			103	106
	45	136213	TRACK-END 3 1 LP MR H NM	2,000			107	
	46	128896	CHARIOT GEN.BILLES HL MR BD	1,000			103	
	47	128897	CHARIOT GEN.BILLES HL MR TD	1,000			103	116

RUNNING RIGGING DECK GEAR

option	Pos.	Part No.	Description	Quant. per boat	Version / Option	SS_FAM	Begining hull number	Ending hull number
	47	147161	GENOA CAR WITH BEARING HL MR PORT N°2	1,000			117	
	48	956761	TRACK END	1,000				102
	48	125695	STOP TRACK-END FITTING LP MR H	2,000			103	
	49	041503	ARTICULATED CHAINPLATE D6 BREAK 1600KG	1,000			9	