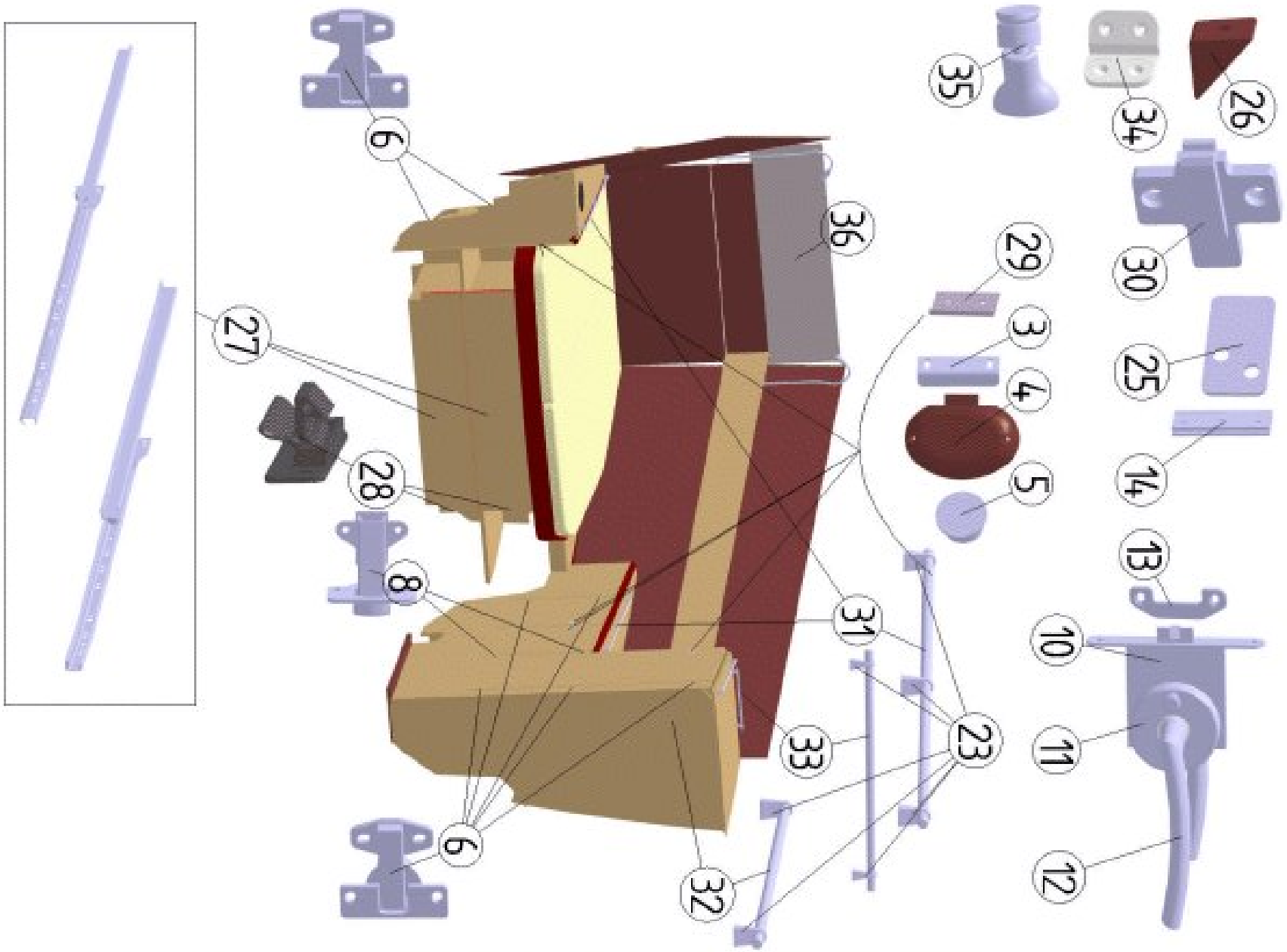
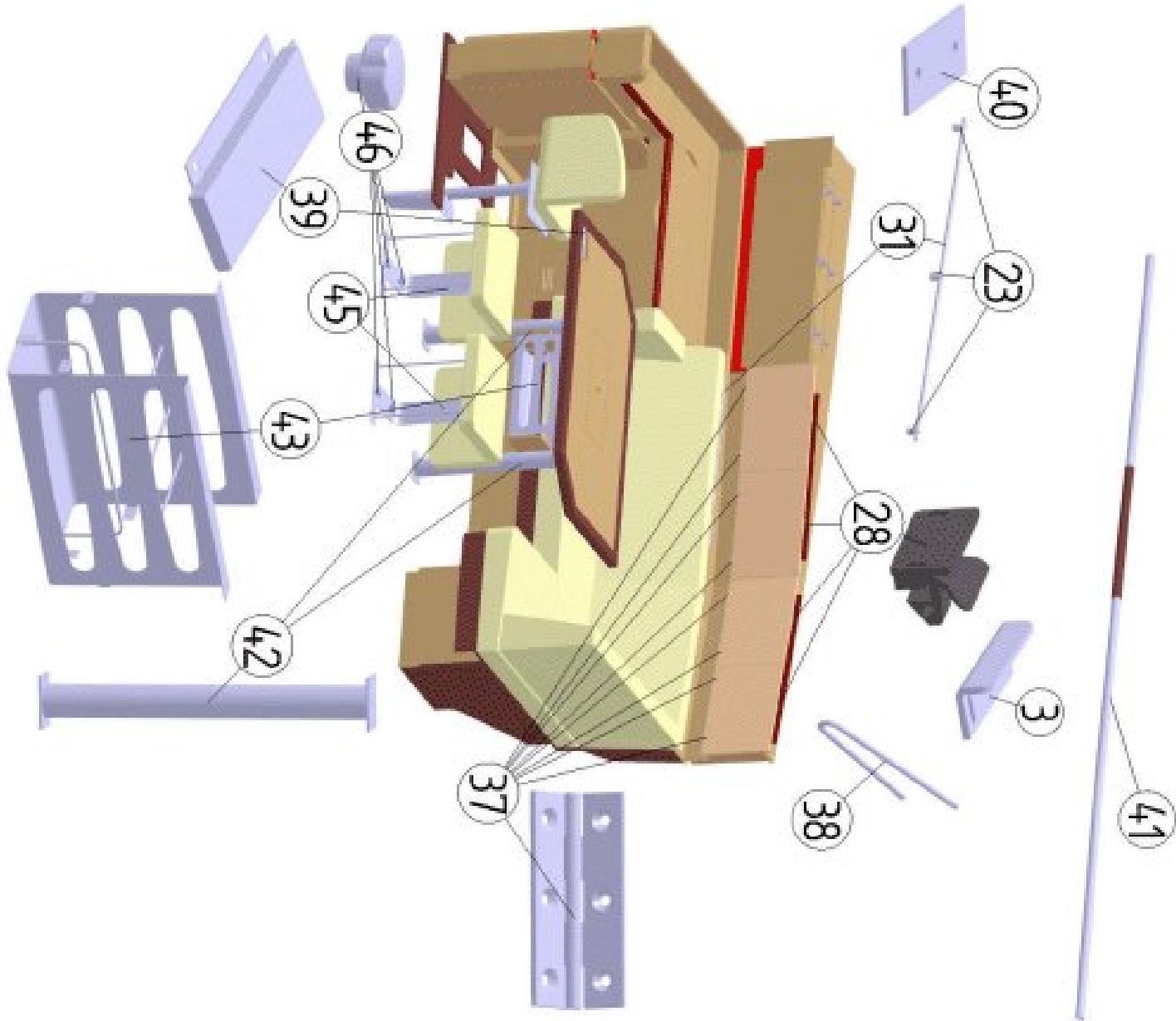


SALLE D'EAU AV BD

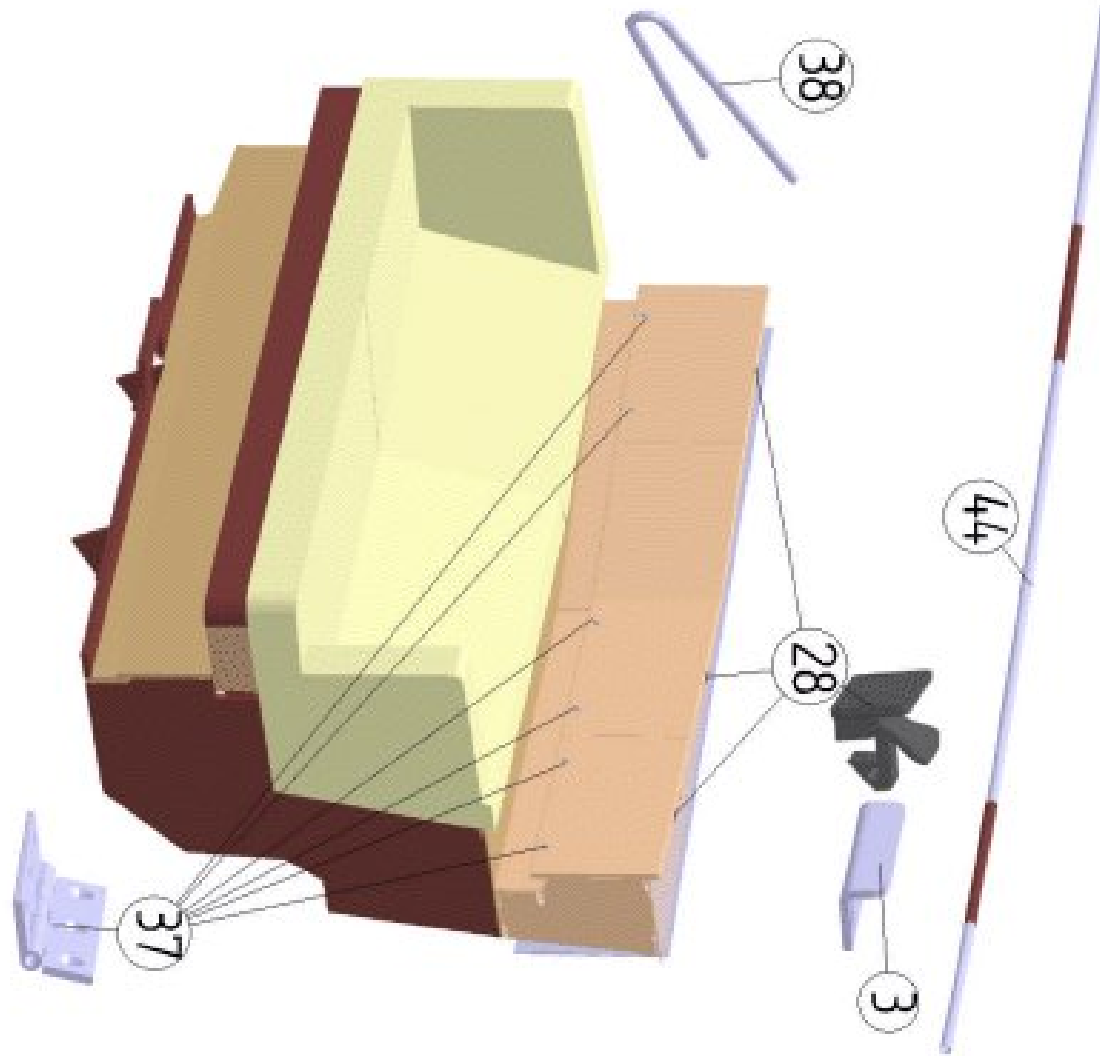
INTERIOR EQUIPMENT



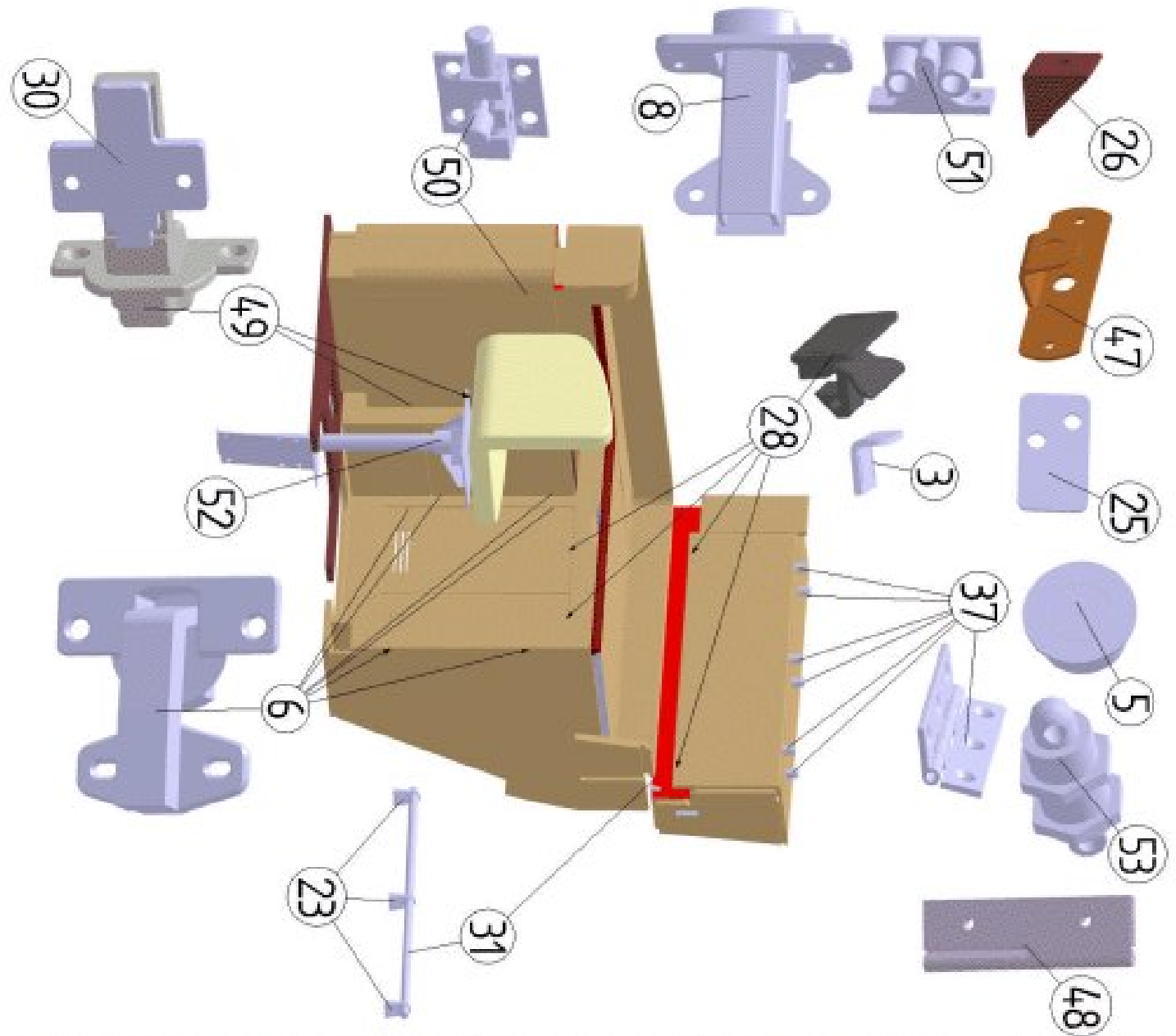
INTERIOR EQUIPMENT



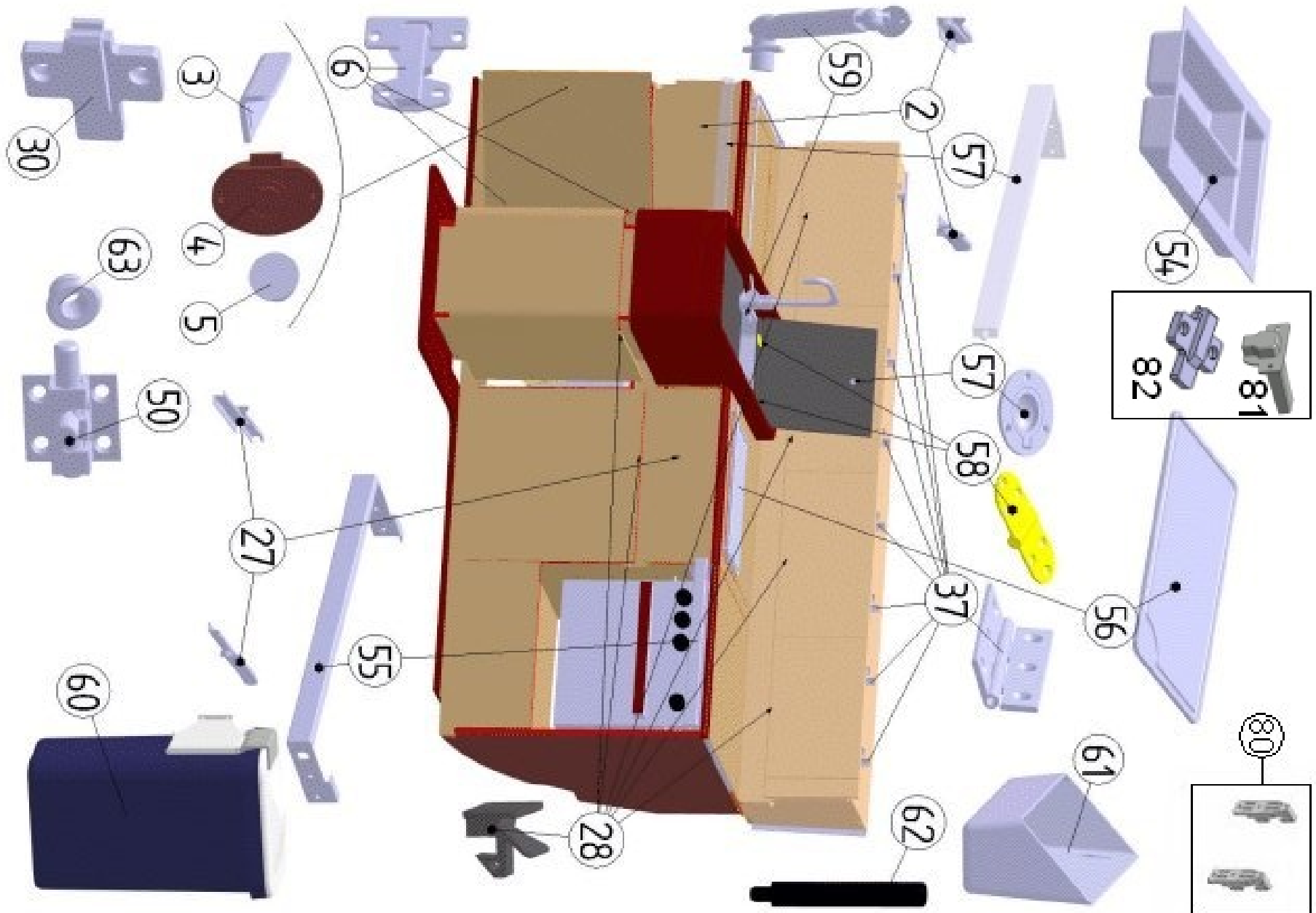
INTERIOR EQUIPMENT



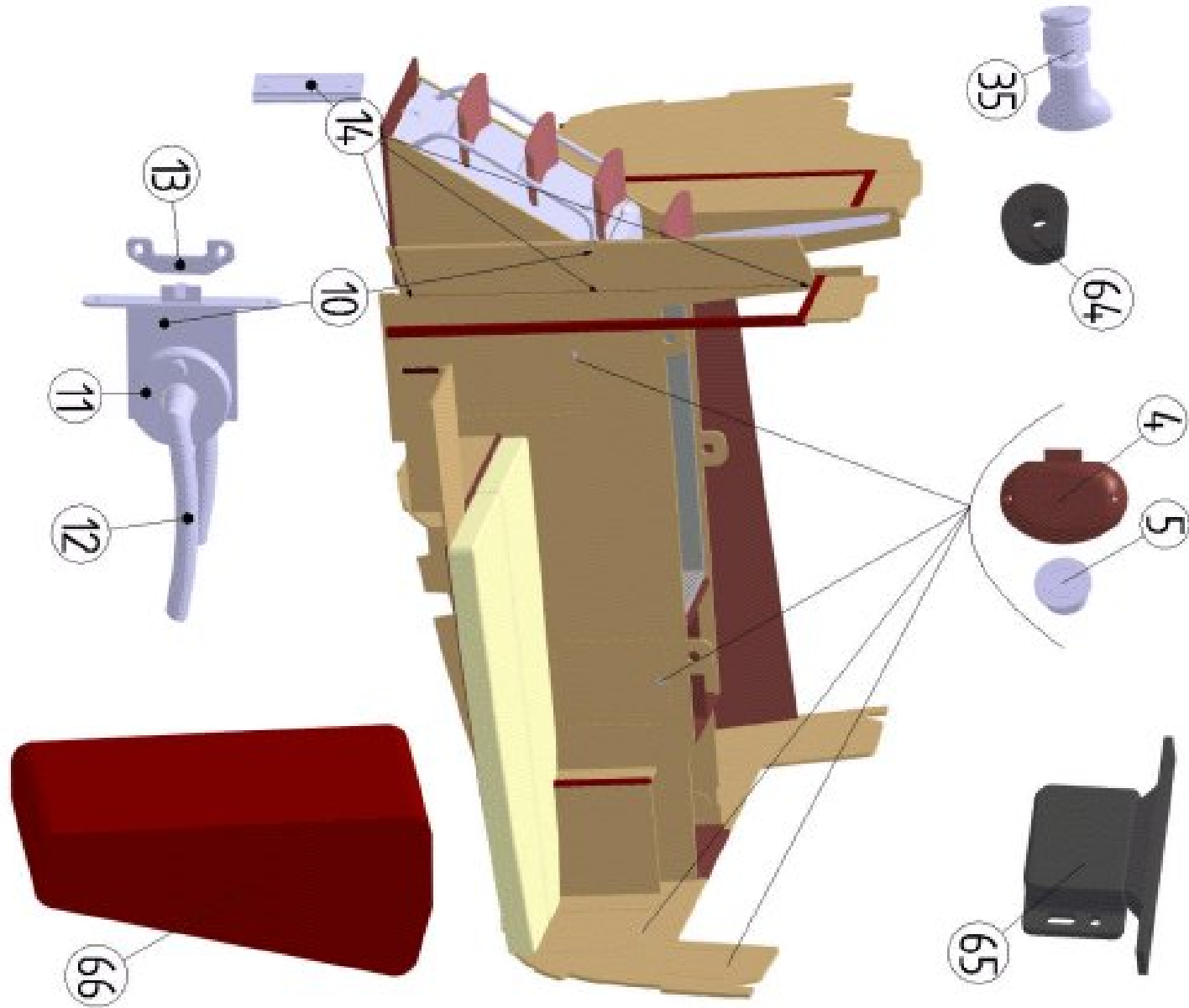
INTERIOR EQUIPMENT



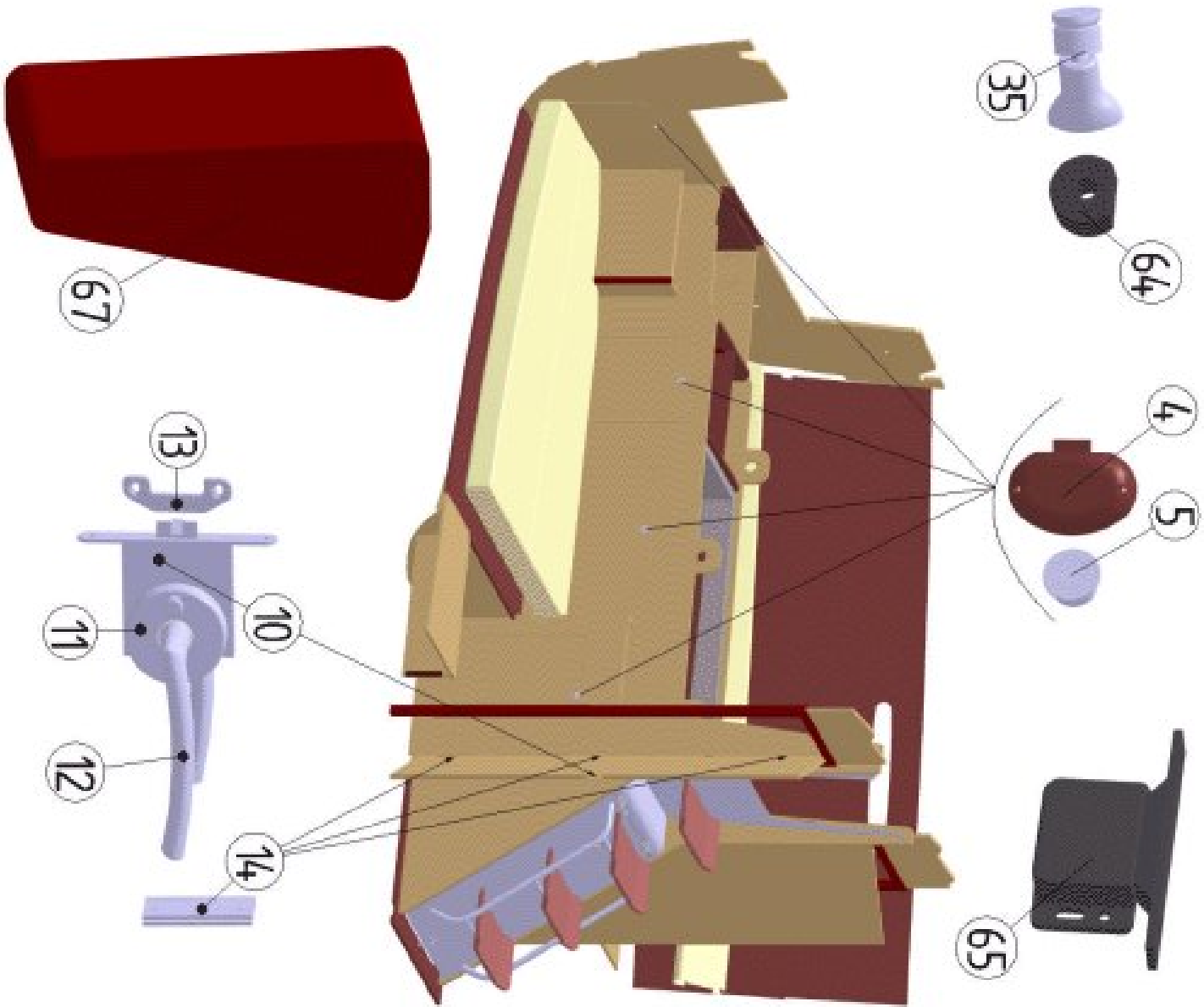
INTERIOR EQUIPMENT



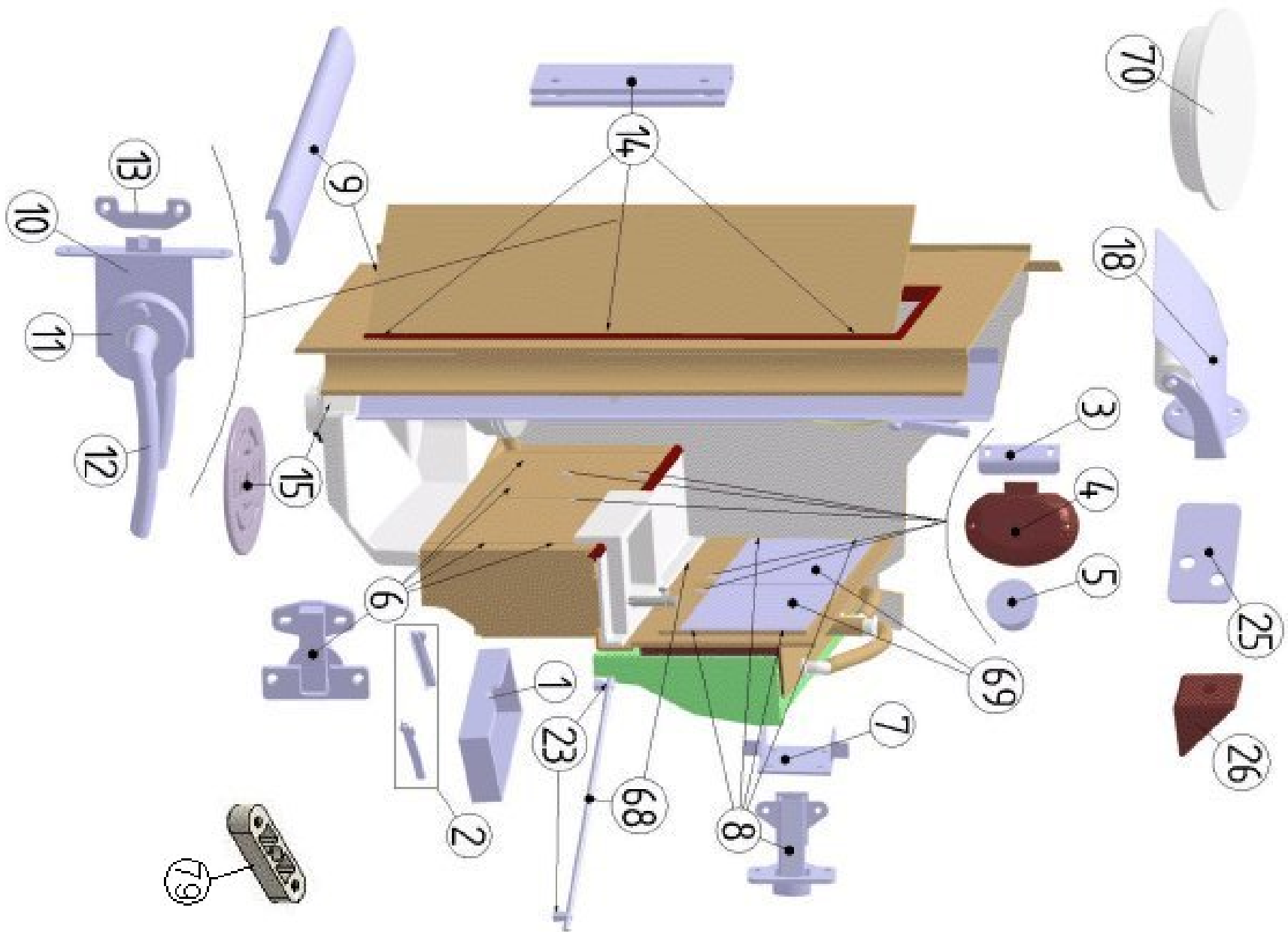
INTERIOR EQUIPMENT



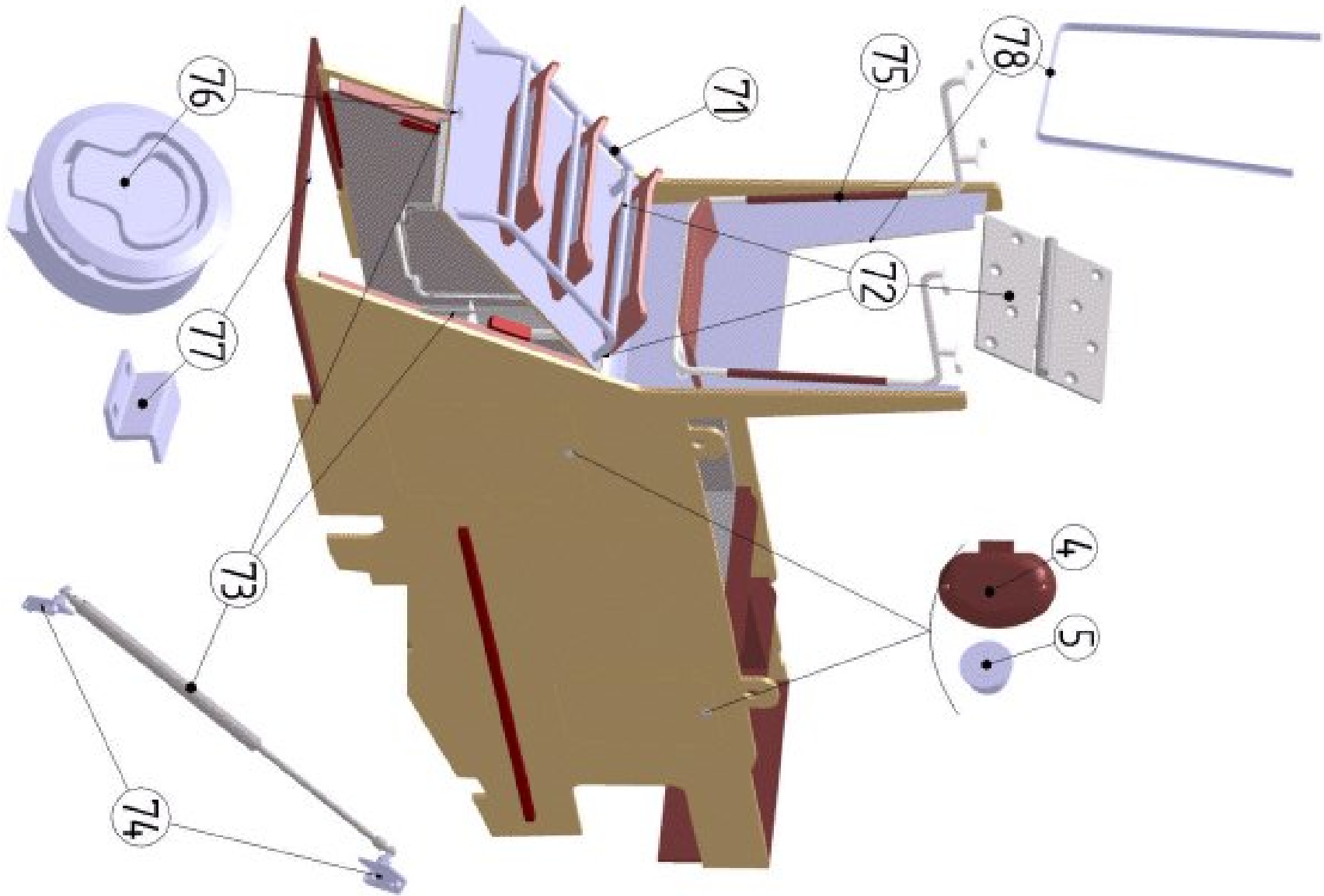
INTERIOR EQUIPMENT



SALLE D'EAU AR BD



INTERIOR EQUIPMENT



INTERIOR EQUIPMENT

option	Pos.	Part No.	Description	Quant. per boat	Version / Option	SS_FAM	Beginning hull number	Ending hull number
	0	059451	POUBELLE IN.D120 AM	2,000				
	0	060833	SUPP IN POUBELLE S EAU 14570	2,000				
	0	066097	HINGE AUTOMATIC HETTICH	4,000				
	1	063616	DRAWERS P250XL450XH95	2,000				
	2	064071	SLIDING DRAWER L250	3,000				92
	2	092817	TIR DP KIT COTES L260	1,000			93	
	2	092819	TIR.DP COULISSES ST 30KG L260	1,000			93	
	2	087255	DRAWER SIDE SET KIT L470	2,000			93	
	2	087256	DRAWER SLIDE ST 30KG L470	2,000			93	
	2	087288	ROCKER INOX FOR CRAMP THICK=4MM	1,000			93	
	3	079682	COCOTTE BOLT LATCH 11X50	34,000				27
	3	071773	STRICKE INT SS H09X15X50	12,000			28	
	4	073475	CATCH CUPBOARD PUSH LOCK LATCH MECHANISM	22,000				
	5	073474	CATCH CUPBOARD BUTTON PUSH LOCK C/BRASS	22,000				
	6	066097	HINGE AUTOMATIC HETTICH	17,000				
	7	058685	HINGE INVISIBLE S S	8,000				
	8	956262	INVISIBLE ST.ST. HINGE	24,000				118
	8	174675	INVISIBLE HINGE STDG OD18	24,000			119	
	9	072839	ALU DOOR STEEP 35X14 L523	2,000				
	10	903438	LOCK EP18-31 STD COMPANY	5,000				
	11	903439	CEILING ROSE ROUND PTE18-23 STDG	5,000				
	12	078271	CRUTCH ROUNDED MONTE CARLO	5,000				
	13	078427	STRIKING PLATE DOOR THICK18 STD COMPANY	5,000				
	14	006233	CHR BRASS DOOR HINGE (LEFT) 60X40	15,000				
	15	073759	GRATE SHOWER PAN STARBOARD	2,000				61
	15	077009	GRATE SHOWER PAN RIM	2,000			62	
	16	059391	COVER SHELF WC 508X493 ABS	1,000				

INTERIOR EQUIPMENT

option	Pos.	Part No.	Description	Quant. per boat	Version / Option	SS_FAM	Beginning hull number	Ending hull number
	17	061796	LOCK REVOLVING WHITE! NOT AVAILABLE !	1,000				118
	17	376250	LOCK REVOLVING BROWN	1,000			119	
	18	954285	CHROMED PAPER HOLD	2,000				
	19	076877	RAIDISSEUR IN.P.DOUCHE 18500	1,000				
	20	080128	SHOWER SCREEN PMMA 18450 FIXED	1,000				93
	20	092348	SHOWER SCREEN PMMA 18450 FIXED GREY	1,000			94	
	21	074684	ADLER CLAMP TIGHTENING 27X16	4,000				
	22	078382	STRAIGHT S/S FIDDLE D10 L450	1,000				
	23	073488	SUPPORT S/S FIDDLE H23	20,000				
	24	075888	MIRROR 490X398X4 SILVER GLASS	2,000				118
	24	151909	MIRROR MIRA 0490X398X4 STD	2,000			119	
	25	385700	BIN LATCH (RIGHT)	11,000				
	26	074734	EQUERRE PLAST ASSEMBLAGE ANGLE	28,000				
	27	053915	SLIDING DRAWER L450	4,000				92
	27	092964	AMORTIZED COULISSE 25KG L450	2,000			93	
	28	200514	LOCK BLACK PLASTIC INV	22,000				
	29	013180	PUSH LOCK BOLT LATCH 25X40	4,000				
	30	072547	BASE PR CP	13,000				
	31	074361	STRAIGHT S S FIDDLE D10 L800	4,000				
	32	074359	STRAIGHT S/S FIDDLE D10 L500	1,000				
	33	074358	STRAIGHT S/S FIDDLE D10 L300	1,000				
	34	990347	BROWN PLASTIC ANGLE	2,000				
	35	062837	STRIKE PLATE MAGNETIC	3,000				
	36	072197	MIRROR 1055X340X4 SILVER GLASS	1,000				118
	36	152505	MIRROR MIRA 1055X0340X4 STD	1,000			119	
	37	032672	CHROM BRASS HINGE 60X30	36,000				
	38	980643	FLAP HOLDER	4,000				

INTERIOR EQUIPMENT

option	Pos.	Part No.	Description	Quant. per boat	Version / Option	SS_FAM	Begining hull number	Ending hull number
	39	074296	S S HANDRAIL L115X50X10 TABLE CHART	1,000				
	40	080124	PATTE FIX IN 80X40X3 SUP	7,000				
	41	080021	S/S HANDRAIL/PORT SALOON 18450 FAUVE	1,000				66
	41	120582	S/S HANDRAIL/PORT SALOON 18450 CHOCO	1,000			67	
	42	079141	S/S TABLE STAND SALOON 18450	2,000				60
	42	085188	BERTH TABLE STANDS	2,000			61	
	43	080222	BOTTLE HOLDER COCKPIT TABLE 18500	1,000				63
	43	081566	BOTTLE HOLDER SALOON TABLE 18450	2,000			64	
	44	080022	S/S HANDRAIL/STBD SALOON 18450 FAUVE	1,000				66
	44	120583	S/S HANDRAIL/STBD SALOON 18450 CHOCO	1,000			67	
	45	074348	S S SEAT SUPPORT POOF 18500	2,000				
	46	045391	KNOB STAR M10	4,000				
	47	053298	LATCH S S SPRING	2,000				
	48	647750	CHR BRASS DOOR HINGE (RIGHT) 60X35	2,000				
	49	072545	HINGE 90 RECESSED	4,000				
	50	918000	CHROMED BRONZE FLAT LOCK 30X30	3,000				
	51	054540	PAWL WHITE PLASTIC SMALL LATCH NM 35860	1,000				
	52	080482	S S SWIVEL SEAT+NYLON SPACER FIRST	1,000				
	53	064967	LOCK TRUNK BILGE HOLE NM	1,000				
	54	049294	WHITE FORKS KNIVES DRAWER 421X218X50	1,000				
	55	074346	STOVE PROTECTING BAR LGTH 560 RECT	1,000				
	56	075918	PLANCHE DECOUPER 18500 POLYET	1,000				

INTERIOR EQUIPMENT

option	Pos.	Part No.	Description	Quant. per boat	Version / Option	SS_FAM	Begining hull number	Ending hull number
	57	078009	BAR L604 RECT PROTECTION	1,000				7
	57	002013	CHROM PLATED BRASS CAP RING D60	2,000				
	58	031154	S S HINGE 80X30 ICE BOX	4,000				
	59	067724	COMPAS PNEUM.GAZ OUV. 80°	1,000				
	60	077856	TRASH CAN 20L 300X210X475	1,000				
	61	990367	SPONGE PLASTIC BOX	1,000				
	62	003960	BLACK PLASTIC WEDGE CROCKERY D16 L115	10,000				
	63	058300	LOCK RING	1,000				
	64	841900	PLASTIC SHELF SUPPORT	2,000				
	65	049813	LOCK DOOR GRABBER 22N	4,000				
	66	077997	PORT COVER PROTECT WADRDROBE 18500	1,000				
	66	077999	S S FRAME 18500 WARDROBE	1,000				
	66	072960	S S HANGING LOCKER ROND 18500	1,000				6
	66	081563	TRINGLE PENDERIE IN.18450	1,000			7	
	67	077998	STBD COVER PROTECT WADRDROBE 18500	1,000				
	67	077999	S S FRAME 18500 WARDROBE	1,000				
	67	072960	S S HANGING LOCKER ROND 18500	1,000				6
	67	081563	TRINGLE PENDERIE IN.18450	1,000			7	
	68	074359	STRAIGHT S/S FIDDLE D10 L500	1,000				
	69	081523	MIRROR 490X340X4 SILVER GLASS	2,000				
	70	130800	PLUG PLASTIC D100 COLORLESS	1,000				
	71	078446	S S INT COMPANIONWAY 18450	1,000				
	72	066099	S S HINGE 100X90HICKNESS 2 D 3 PINS J8	2,000				
	73	003695	GAS JACK 20KG	2,000				84
	73	081488	GAS JACK 20KG	2,000			85	
	74	057683	S S JACK SUPPORT D8	4,000				84

INTERIOR EQUIPMENT

option	Pos.	Part No.	Description	Quant. per boat	Version / Option	SS_FAM	Beginning hull number	Ending hull number
	74	081395	S S JACK SUPPORT 90 GM STD+NUT	4,000			85	101
	74	120159	S/S JACK SUPPORT 90° GM STD+NUT NEW MOD.	4,000			102	
	75	079045	S/S HANDRAIL/SUPP.STEP 18450 FAUVE	1,000				66
	75	120584	S/S HANDRAIL/SUPP.STEP 18450 CHOCO	1,000			67	
	76	056809	S S LATCH FLUSH-PULL 7 A 12MM	1,000				
	77	057032	S S BOLT LATCH S 15MM	1,000				28
	77	078427	STRIKING PLATE DOOR THICK18 STD COMPANY	1,000			29	
	78	080117	COMPANIONWAY ENTRANCE ALU FRAME 18450	1,000				
	79	092966	AMORTIZED COULISSE FRONT SUPPORT	8,000				
	80	087257	DRAWER FRONT FIXATION	6,000				
	81	072546	HINGE 90 FLUSH	6,000			7	
	82	072547	BASE PR CP	1,000				
	83	065505	SUCTION PAD	2,000				
	84	018795	FIX HOOK BROWN PLAST TABLE	8,000				
	85	018797	FIX PADEYE BROWN PLAST TABLE	8,000				