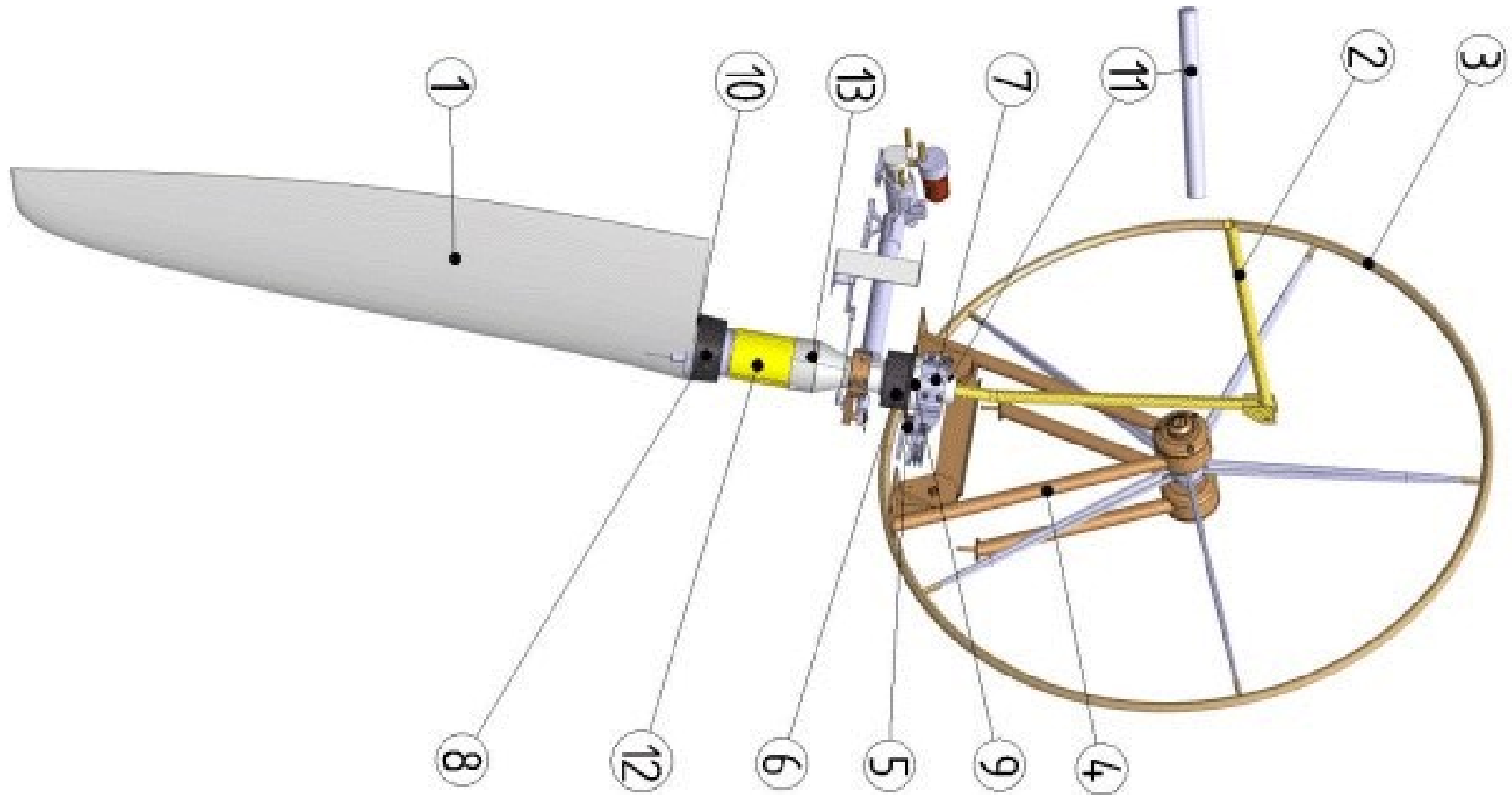


# STEERING SYSTEM



## STEERING SYSTEM

option	Pos.	Part No.	Description	Quant. per boat	Version / Option	SS_FAM	Beginning hull number	Ending hull number
	1	18400000D0A02	BARRE A ROUE BASCULANTE	,000				
	1	081379	RUDDER 18400 GLASS SHAFT	1,000				
	2	082311	EMERGENCY TILLER 18400	1,000				
	3	074368	COVERED STEERING WHEEL D1600 S/S STDG	1,000				213
	3	134160	STEERING WHEEL D1600 BORD FANGL	1,000			214	
	4	081575	PEDESTAL STEERER 18400 LEWMAR	1,000				2
	4	085638	STEERING GEAR CHAIN 18400	1,000				
	4	082279	STEERING CABLE 18400	1,000				
	4	088531	PEDESTAL STEERER 18400 LEWMAR	1,000			3	
	4	085638	STEERING GEAR CHAIN 18400	1,000			3	
	4	082279	STEERING CABLE 18400	1,000			3	
	5	081584	QUADRANT STOP 18400/NOT AVAILABLE	1,000				107
	5	130028	ALU QUADRANT STOP 18400 N 2	1,000			108	
	6	081400	UPPER BEARING D100 JEFA	1,000				
	6	140220	ROTULE A ROULEAUX JEFA D100	1,000				
	7	201779	BORED QUADRANT D 83 RP210 DG	1,000				
	8	081399	LOWER BEARING D130 JEFA	1,000				
	8	140221	ROTULE A ROULEAUX JEFA D130	1,000				
	9	082255	EQUILIBRIUM RING 144X085X20	1,000				
	10	081542	EQUILIBRIUM RING 185X132X 5	1,000				
	11	072327	PIN D10X103 QUADRANT GOIOT D83	1,000				
	12	058155	G R P EPOXY PIPE D130X136 L170	1,000				
	13	058019	JOINT JEFA18350 WICK BELLOWS	1,000				