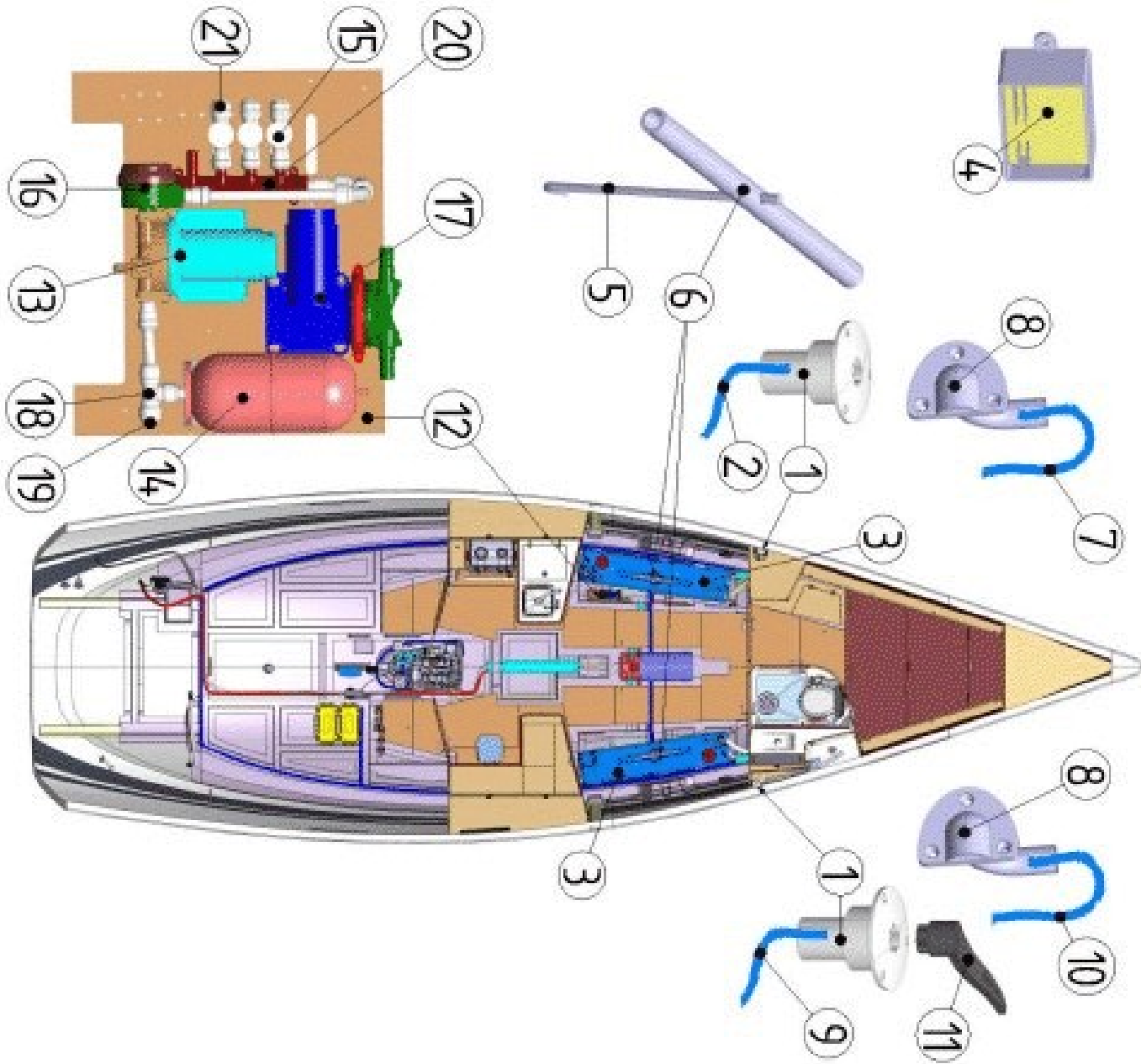
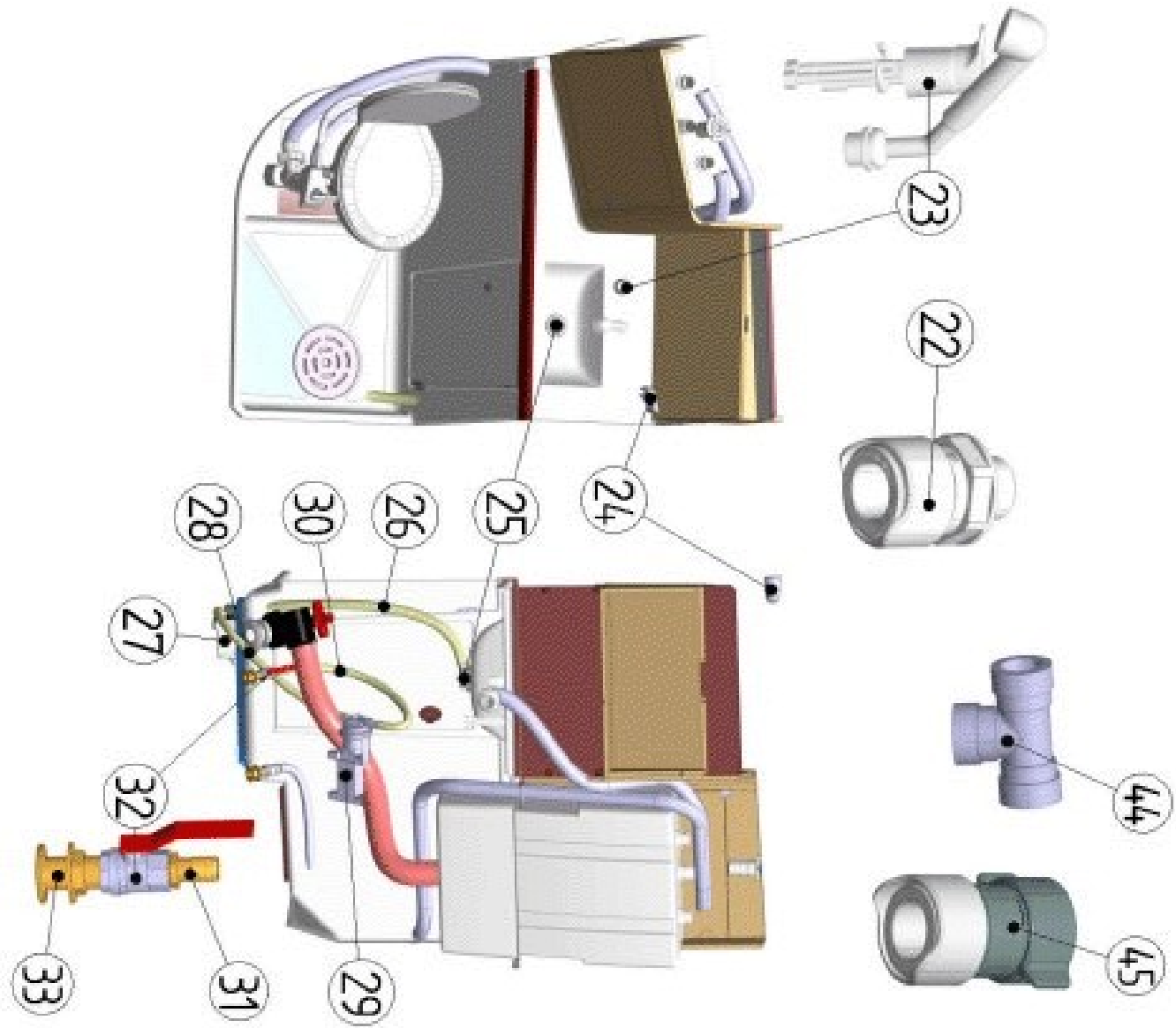


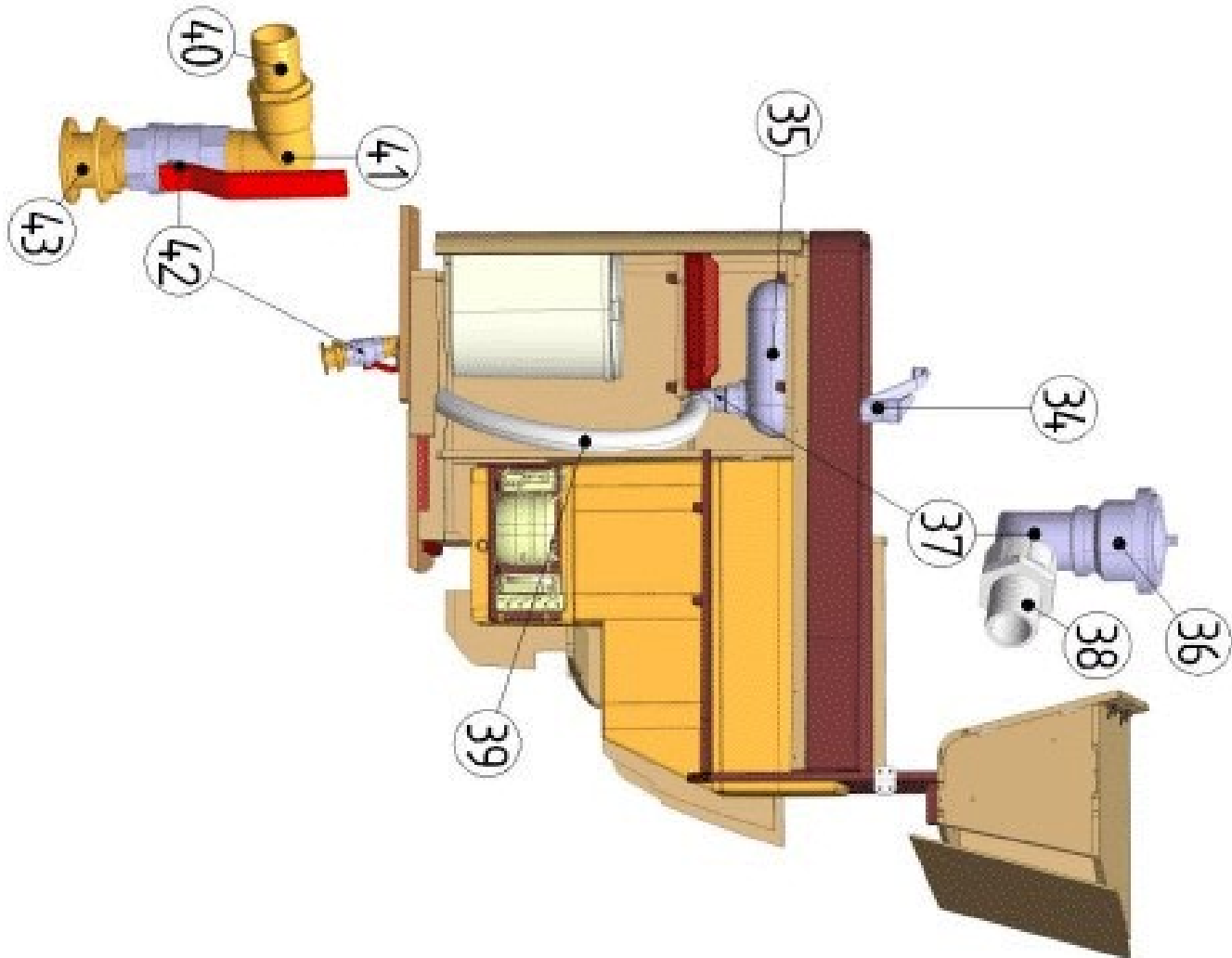
INTERIOR PLUMBING



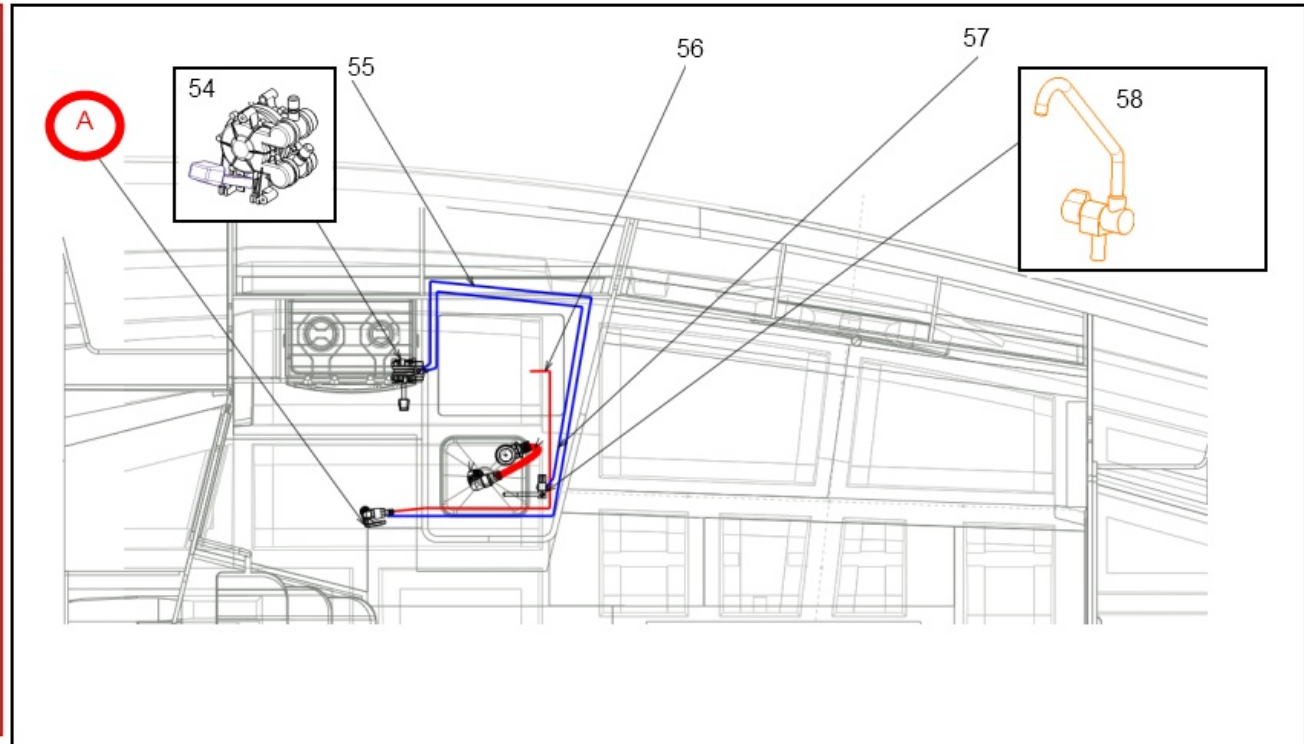
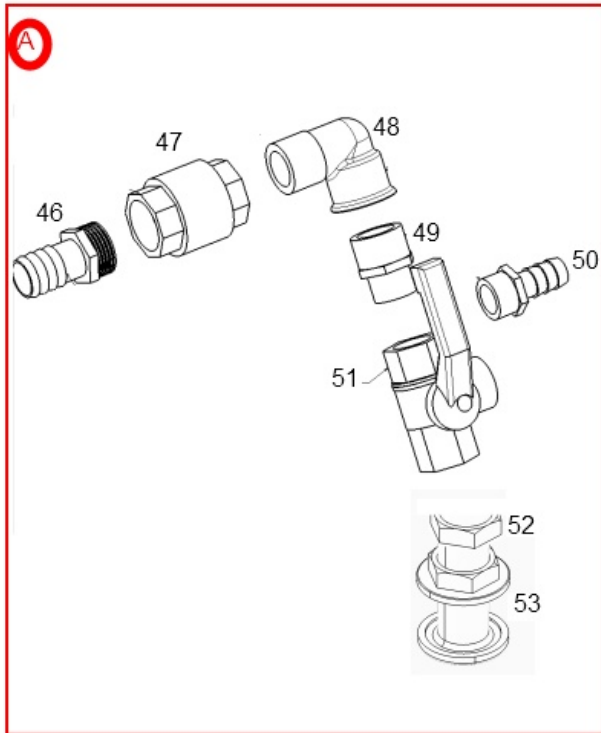
INTERIOR PLUMBING



INTERIOR PLUMBING



INTERIOR PLUMBING



INTERIOR PLUMBING

option	Pos.	Part No.	Description	Quant. per boat	Version / Option	SS_FAM	Beginning hull number	Ending hull number
	1	18400000EIC01	WATER HEATER 220V 25L	,000				
	1	081006	S S DECK FILLER CAP FOR WATER GOIOT	2,000				96
	1	065249	S S DECK FILLER CAP FOR WATER	2,000			97	151
	1	129432	S S DECK FILLER CAP FOR WATER OSCUATI	2,000			152	
	1	072449	S S WATER DECK FILLER NOT AVAILABLE !	2,000			152	
	2	019233	BEN FLEX HOSE D35 L ! NOT AVAILABLE !	1,000				
	3	082748	WATER TANK ROTO 100L 18400+ELECT GAUGE	2,000				
	3	148924	WATER TANK GAUGE BEAM KIT	2,000				
	4	990507	GAUGE WATER 5P SCHEIBER	2,000				
	5	019110	TANK TIE ROD L300 THREADED 140MM	2,000				
	6	038037	ALU TUBE D30X4 L480 HOLE D12	2,000				
	7	T22110210	HOSE 16 L 2_10 WATER STDG	1,000				
	8	005751	VENT CHROMED BRASS TANK BENT STBD D16	2,000				
	9	026937	BEN FLEX HOSE D35 L ! NOT AVAILABLE !	1,000				
	10	T22110380	HOSE 16 L 3_80 WATER STDG	1,000				
	11	231400	TIGHTEN SPANNER WATER TANK DECK FILL CAP	1,000				
	12	990499	BOARD PLUMBING	1,000				182
	12	133165	16L PLUMBING BOARD	1,000			183	
	12	155144	ACCUMULATOR TANK	1,000			183	
	12	155145	WATER SET 13L	1,000			183	
	12	155146	ELECTRIC BILGE PUMP	1,000			183	
	12	155147	WATER PUMP FILTER	1,000			183	
	12	155148	MANIFOLD	1,000			183	
	12	155149	WAY VALVE	1,000			183	

INTERIOR PLUMBING

option	Pos.	Part No.	Description	Quant. per boat	Version / Option	SS_FAM	Begining hull number	Ending hull number
	12	155150	CONNECTION T	1,000			183	
	13	900862	WATER SET	1,000				
	14	900863	ACCUMULATOR TANK	1,000				
	15	900864	TAP 1/4	1,000				
	16	900865	FRESHWATER FILTER	1,000				
	17	900866	ELECTRIC BILGE PUMP	1,000				
	18	900868	EQUAL TEE	1,000				
	19	900869	STEM TO STEM CHECK VALVE	1,000				
	20	900867	STACKABLE TEE	1,000				
	21	071490	BRASS PLUG M15	1,000				
	22	990498	QUICK CON STR M3-8P D15F	4,000				
	23	200510	MIXER SINK SHOWER CR LG	1,000				
	23	902807	SHOWER WATER 976786	1,000				
	23	137879	SHOWER HOSE	1,000				
	23	981495	ELBOW SHOWERHEAD	1,000				
	24	057174	PLASTIC CHROMED SUPPORT SHOWER 1N	1,000				
	25	021391	PLUG GROOVED D25 WASHBASIN SINK	1,000				
	26	T22130100	HOSE 25 L 1_00 WATER STDG	1,000				
	27	066791	SHOWER DRAIN PAN ROTO 14523	1,000				
	28	T22120100	HOSE 20 L 1_00 WATER STDG	1,000				58
	28	T22B0200100	GREY WATER PIPE D20 L1000	1,000			59	
	29	033337	SHOWER PUMP 12V 15L MN	1,000				171
	29	903317	SHOWER PUMP 12V 20L/MN AM	1,000			172	205
	29	149468	SHOWER PUMP 12V 20L NM	1,000			206	
	30	T22120100	HOSE 20 L 1_00 WATER STDG	1,000				58
	30	T22B0200100	GREY WATER PIPE D20 L1000	1,000			59	
	31	342700	HOSE BARB MALE BRASS 20X27 D19	1,000				
	32	026068	VALVE BALL 1 4 T 20X27 BR W S S HANDLE	1,000				199

INTERIOR PLUMBING

option	Pos.	Part No.	Description	Quant. per boat	Version / Option	SS_FAM	Beginning hull number	Ending hull number
	32	146722	VALVE BALL 1 4 T FF3_4 BRASS S S NEW	1,000			200	218
	32	163023	VALVE 2W 1 4T BRZ FF 3_4P	1,000			219	
	33	070294	THRU HULL BR 20X27 3 4	1,000				218
	33	163561	THRU HULL BRZ 3_4P	1,000			219	
	34	200511	MIXER TAP GALLEY NOBILI LONG	1,000				
	35	064348	S S STRAINER 356X356	1,000				
	36	062205	SINK DRAIN + PLASTIC PLUG /NOT AVAILABLE	1,000				
	37	046856	PLASTIC COUPLING 90 FF40X49	1,000				
	38	046857	PLAST STR GROOVED END-PIECE D40 M40X49	1,000				
	39	027453	BEN FLEX HOSE D35 L ! NOT AVAILABLE !	1,000				
	40	342800	BRASS STR GROOVED END-PIECE M33X42 D36	1,000				
	41	073714	ELBOW 90 MF 1P1_4 STDG BRZ AM	1,000				
	42	903956	2 WAY VALVE 1/4 FF 33X42 BRASS S/S JN	1,000			64	
	42	903956	2 WAY VALVE 1/4 FF 33X42 BRASS S/S JN	1,000			64	
	42	026070	2 WAY VALVE 1 4 FF 33X42 BRASS S S	1,000				63
	42	026070	2 WAY VALVE 1 4 FF 33X42 BRASS S S	1,000				20
	42	026070	2 WAY VALVE 1 4 FF 33X42 BRASS S S	1,000				199
	42	146724	2 WAY VALVE 1/4T FF 1 1/4 BRASS S S NEW	1,000			200	218
	42	163025	VALVE 2W 1 4T BRZ FF 1P1_4	1,000			219	
	43	070297	THRU HULL BRASS 33X42 1P1 4	1,000				218
	43	163557	THRU HULL BRZ 1P1_4	1,000			219	
	44	049003	BRASS TEE CONN MMM 12X17	2,000			14	
	45	077241	JOIN STRAIGHT FAST 3-8P D15F	4,000			14	
	46	342700	HOSE BARB MALE BRASS 20X27 D19	1,000				

INTERIOR PLUMBING

option	Pos.	Part No.	Description	Quant. per boat	Version / Option	SS_FAM	Beginning hull number	Ending hull number
	47	047417	NON-RETURN VALVE FF20X27 BRASS	1,000				
	48	073712	ELBOW 90 MF 3_4P STDG BRZ AM	1,000				
	49	006267	BRASS STR END-PIECE MM 20X27-15X21	1,000				
	50	342500	BRASS STR GROOVED END-PIECE M15X21 D12	1,000				
	51	906350	3 WAY VALVE 1 4T FFF15X21 (BRASS) L-WAY	1,000				
	52	079678	BRASS STR GROOVED END-PIECE M15X21 D16	1,000				
	53	070293	THRU HULL BR 15X21 1 2	1,000				218
	53	163555	THRU HULL BRZ 1_2P	1,000			219	
	54	690450	SINK FOOT PUMP MK3	1,000				
	55	T25B0160100	HOSE SEA WATER D 16 L 1000	1,000				
	56	T25B0200100	HOSE SEA WATER D 20 L1000	1,000				
	57	T25B0160130	HOSE SEA WATER D 16 L 1300	1,000				
	58	068585	SINGLE TAP BARKA	1,000				