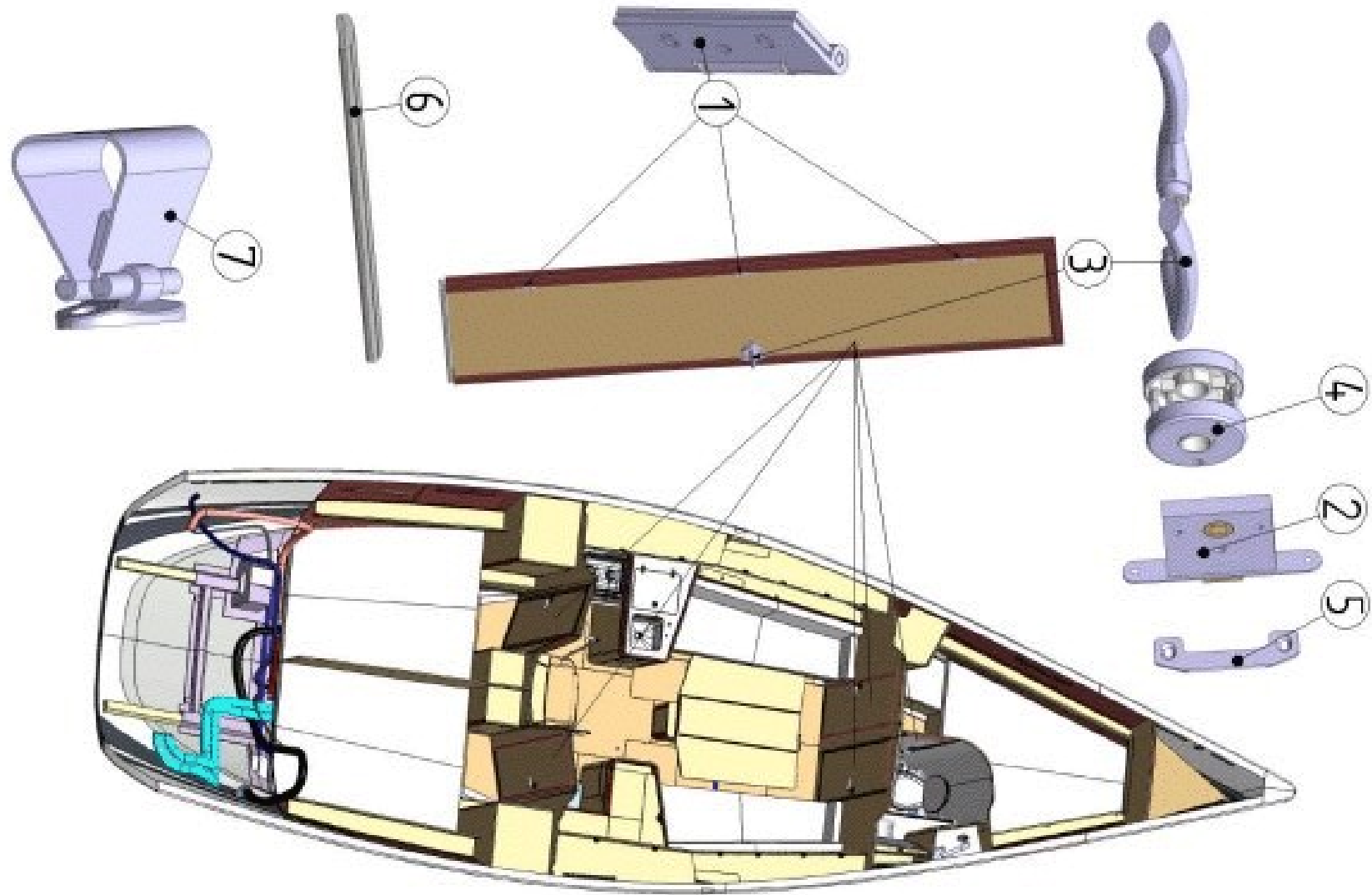
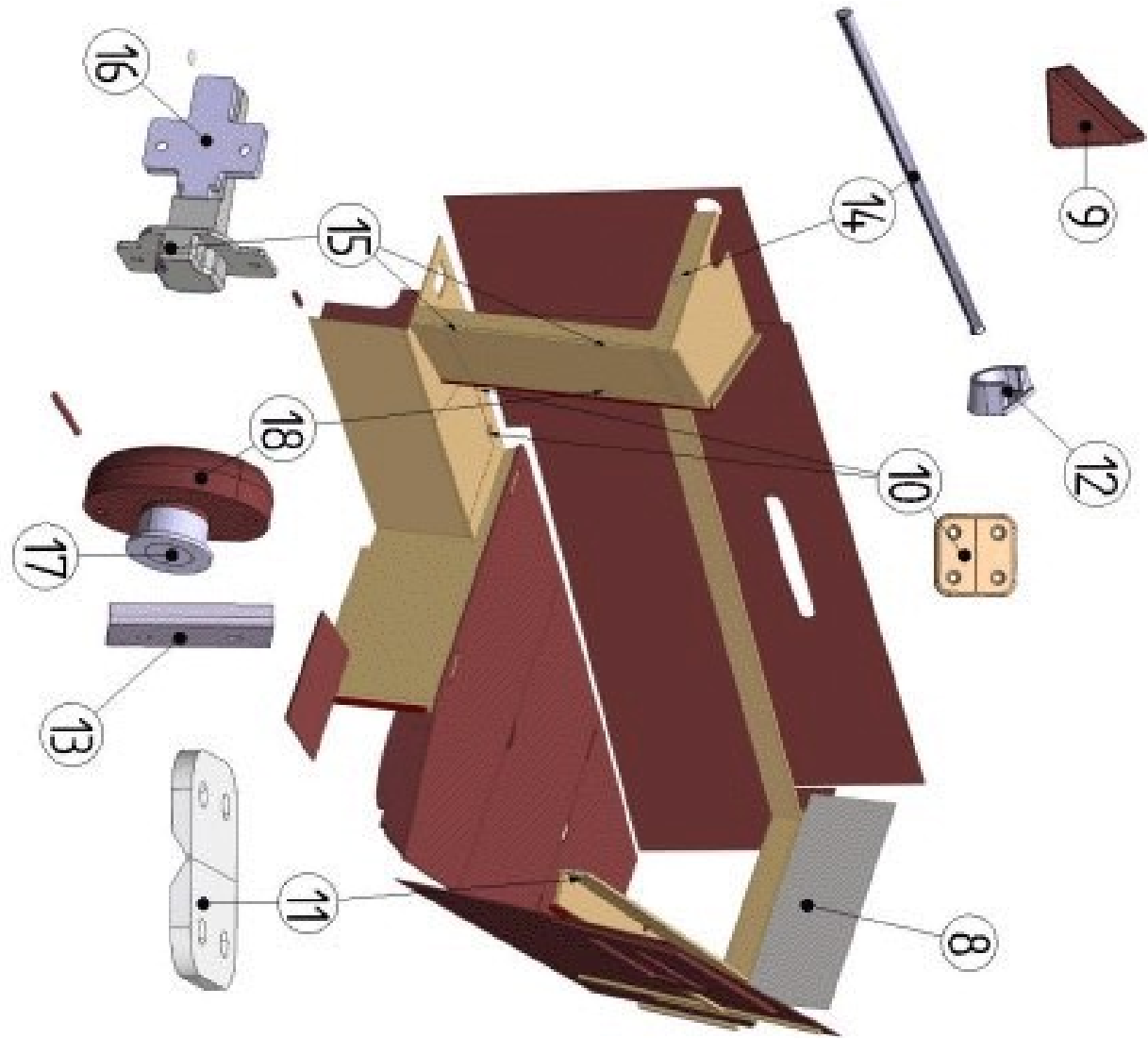


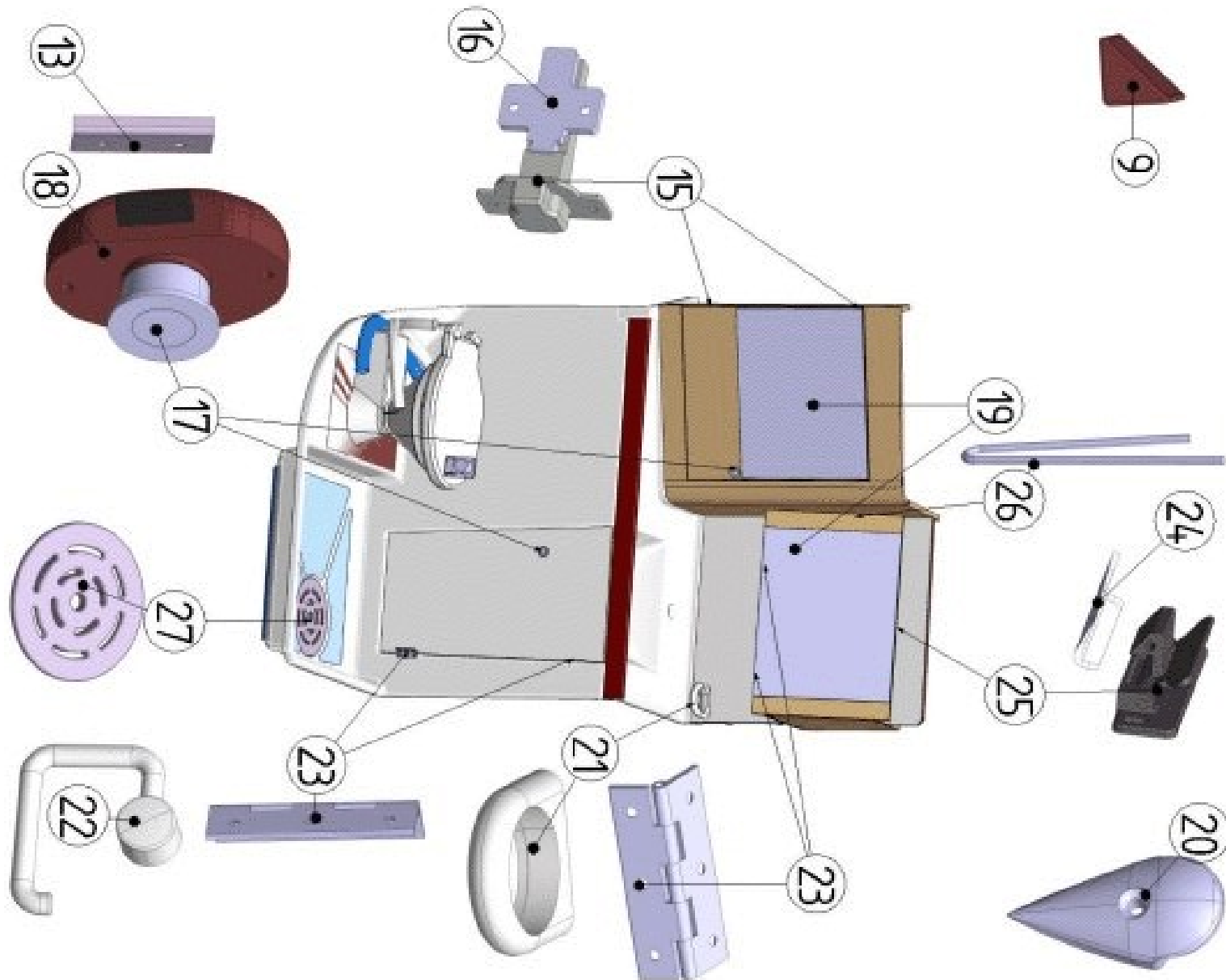
INTERIOR EQUIPMENT



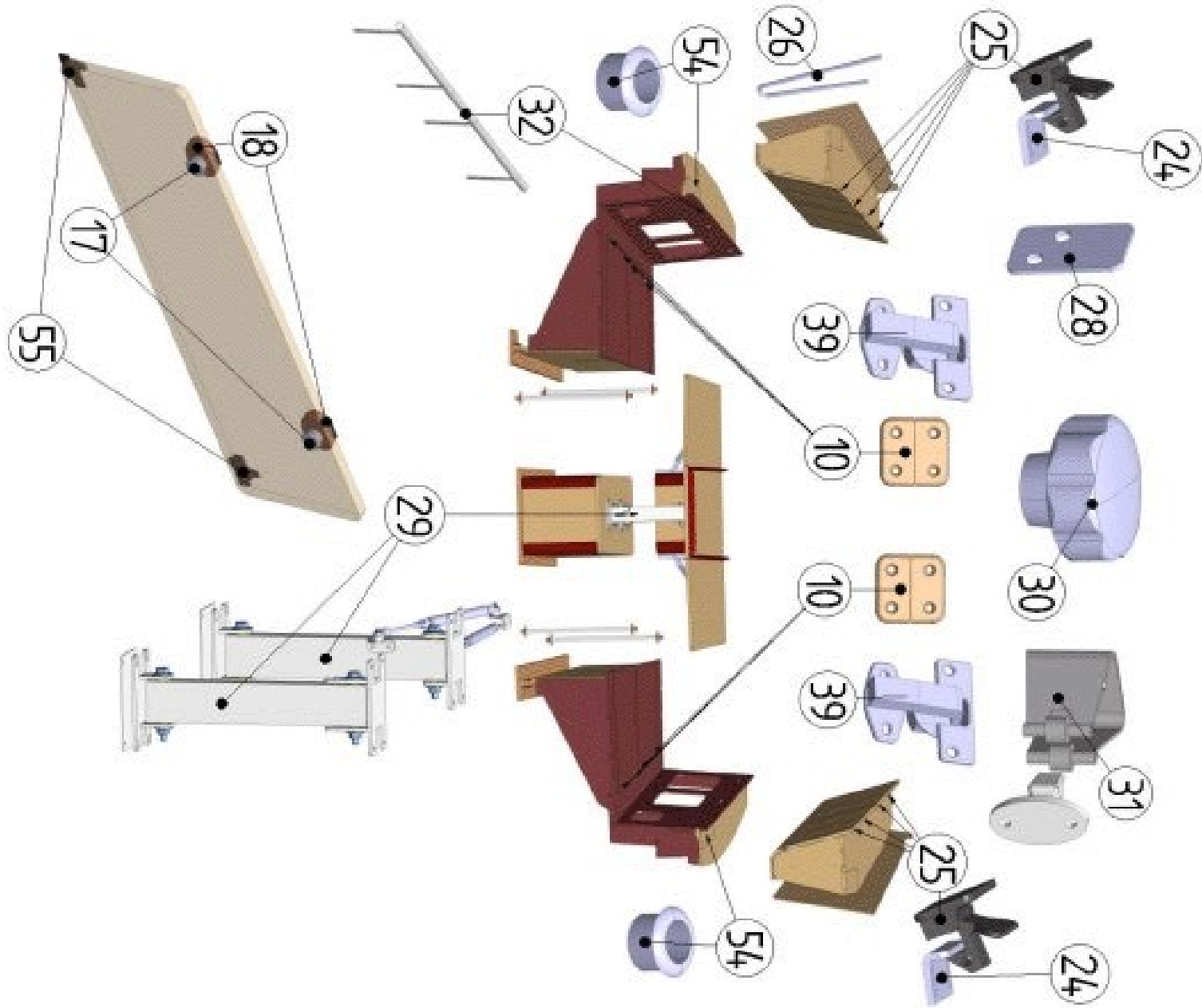
INTERIOR EQUIPMENT



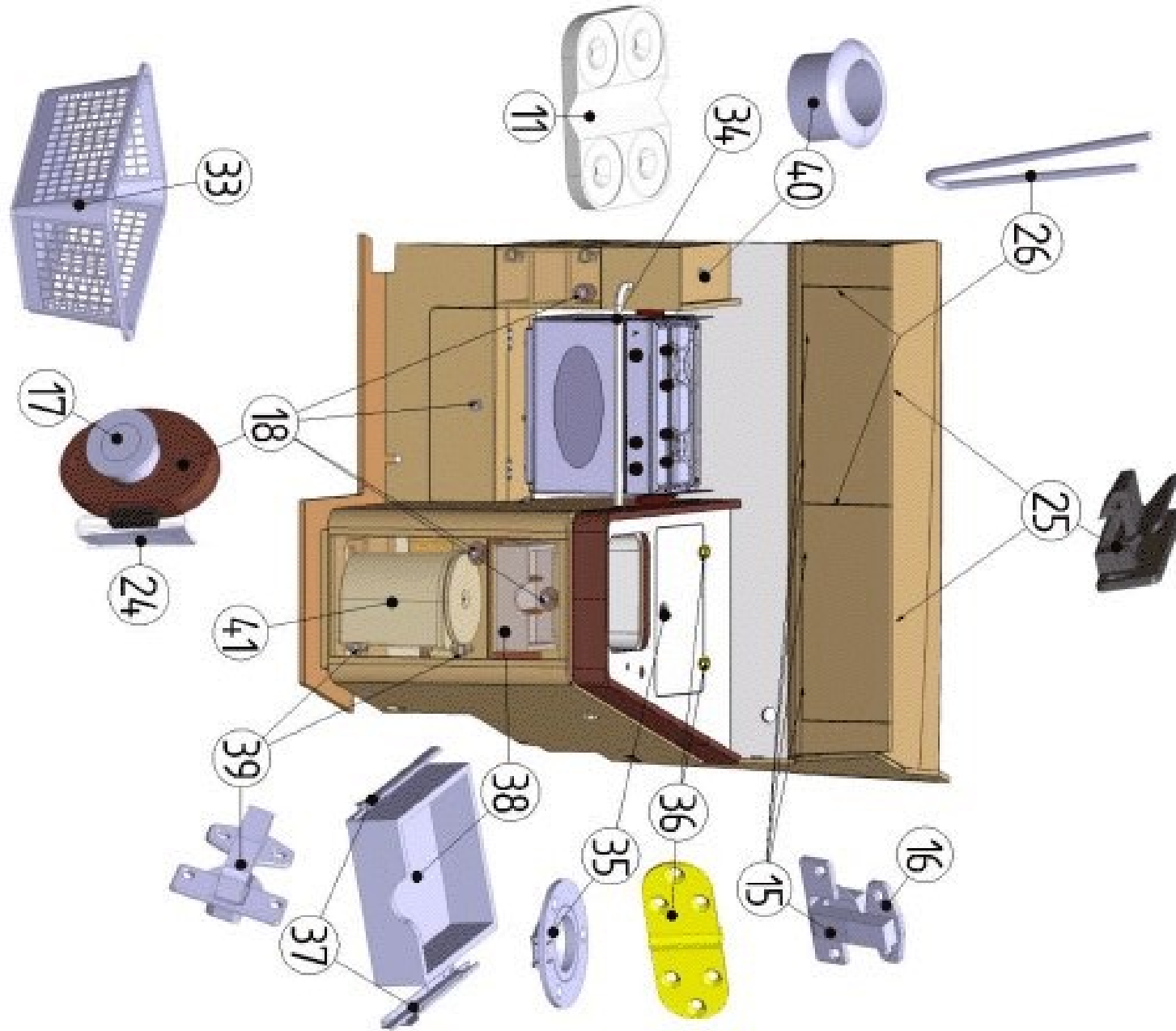
INTERIOR EQUIPMENT



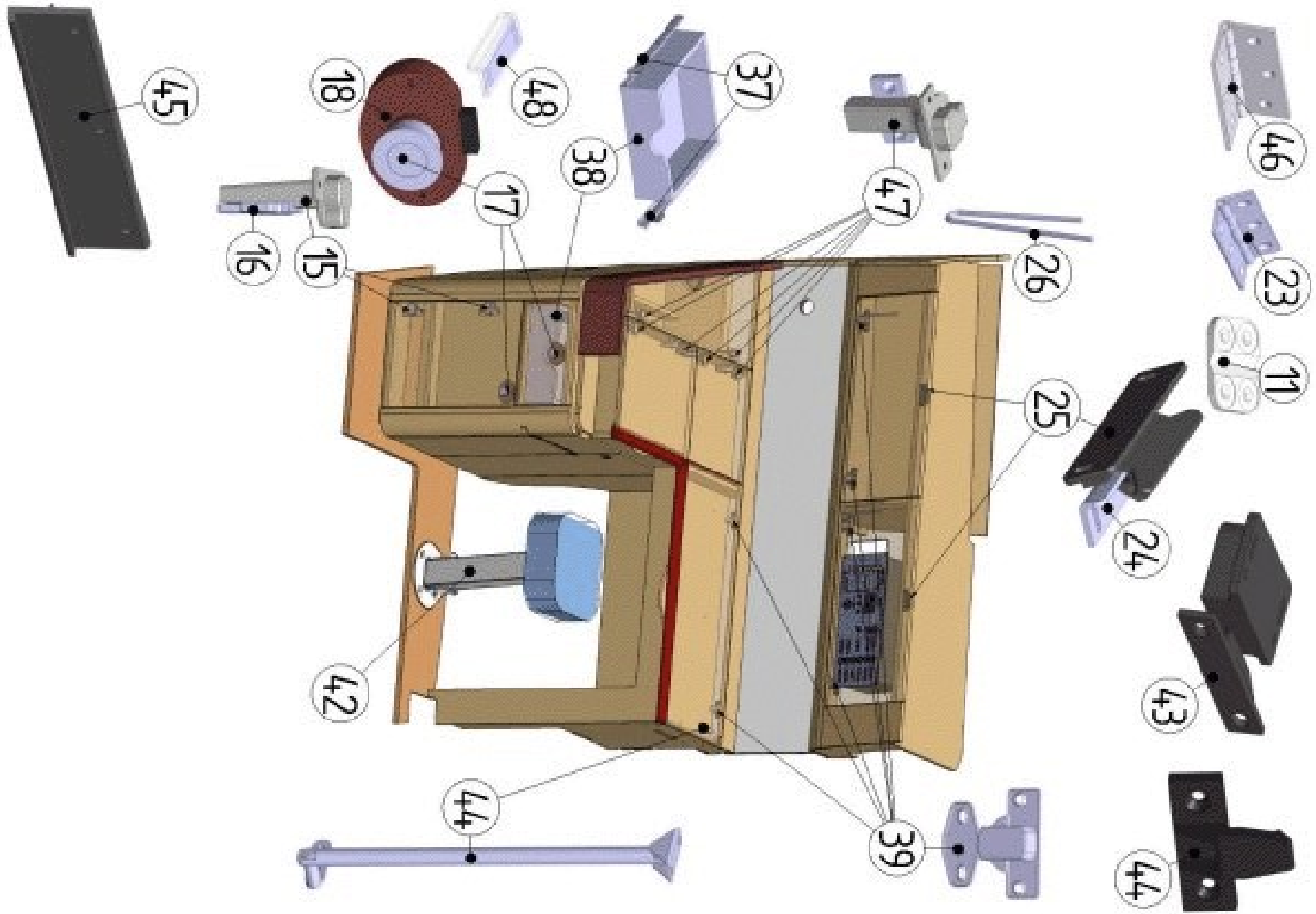
INTERIOR EQUIPMENT



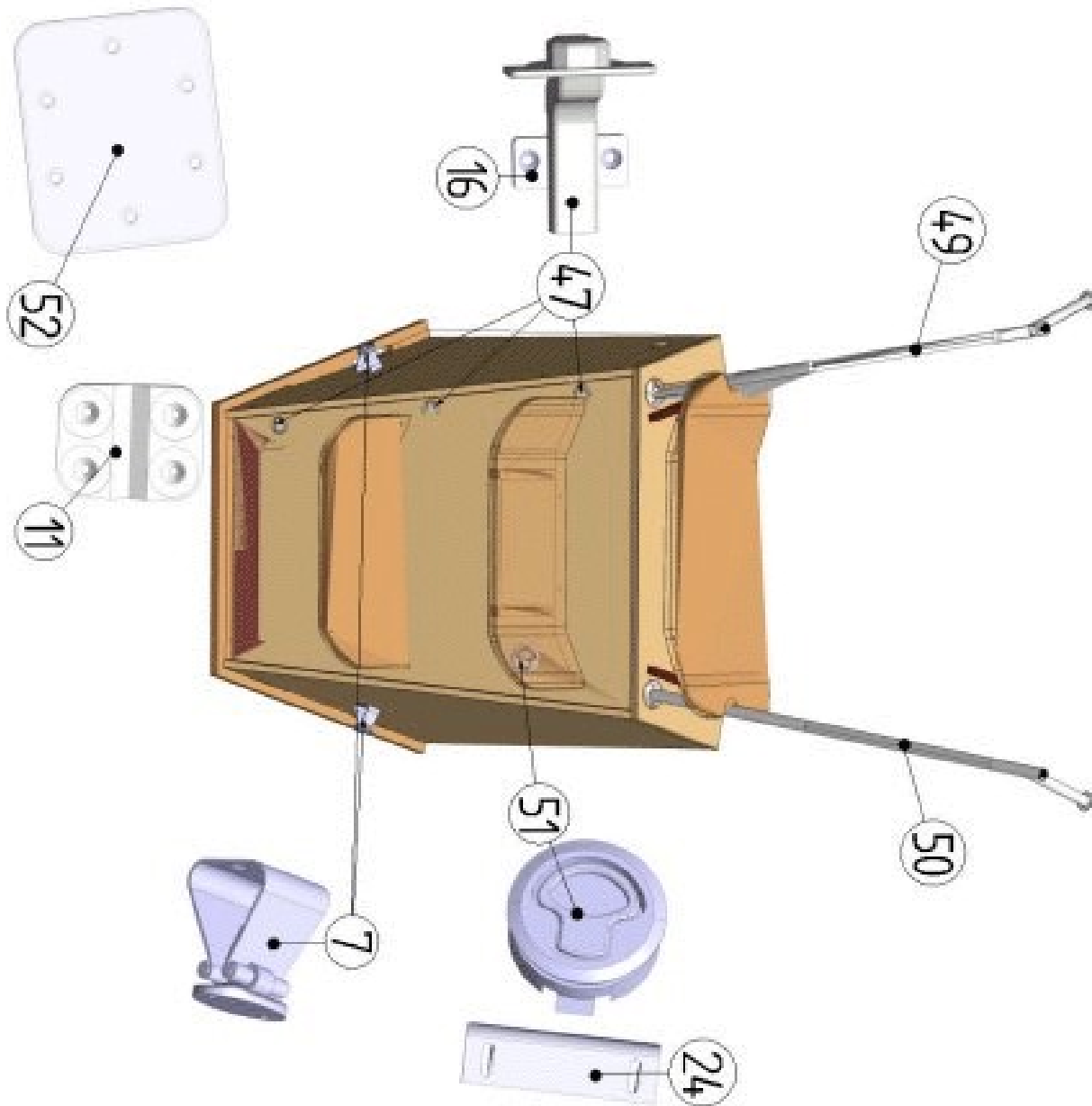
INTERIOR EQUIPMENT



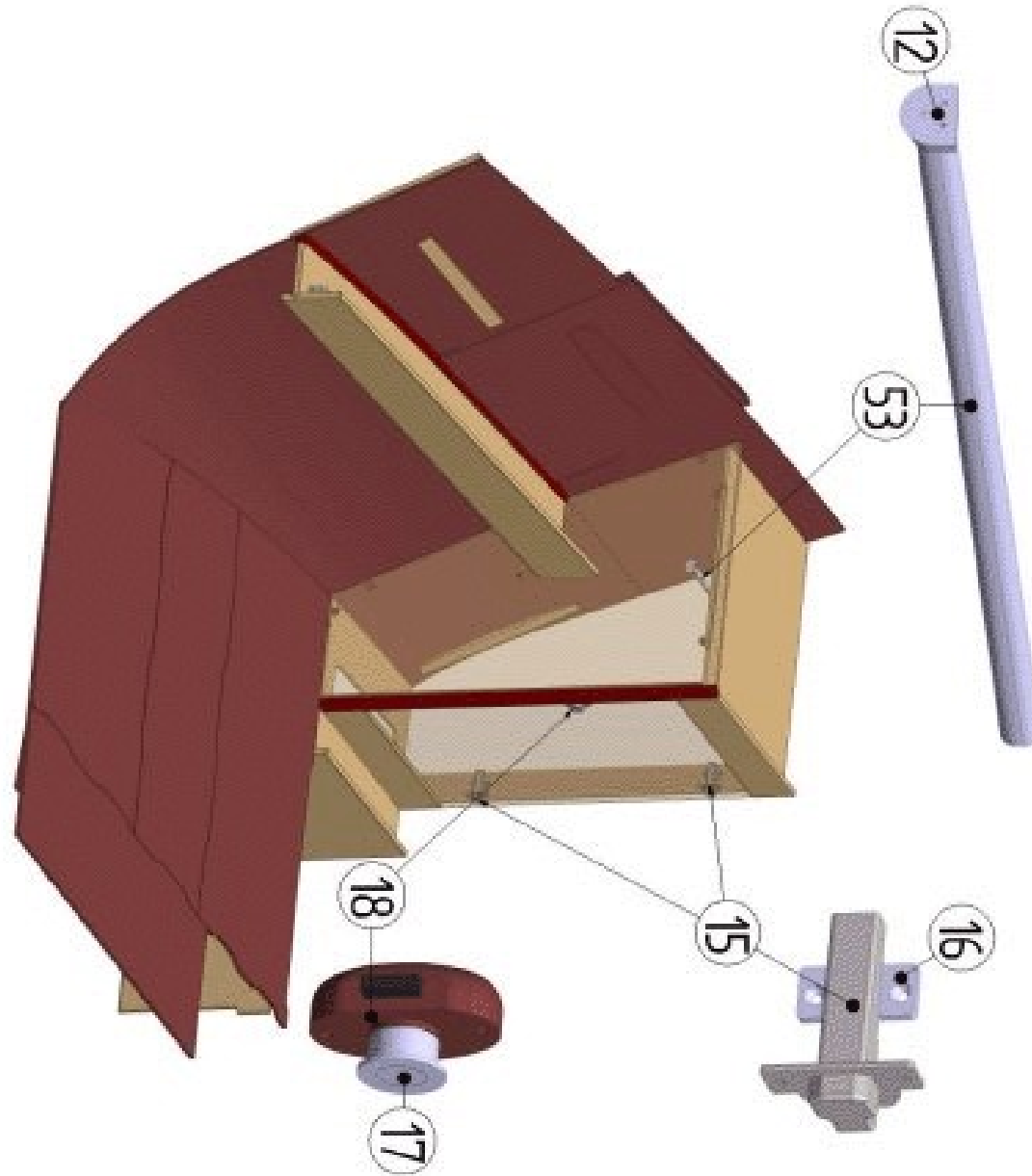
INTERIOR EQUIPMENT



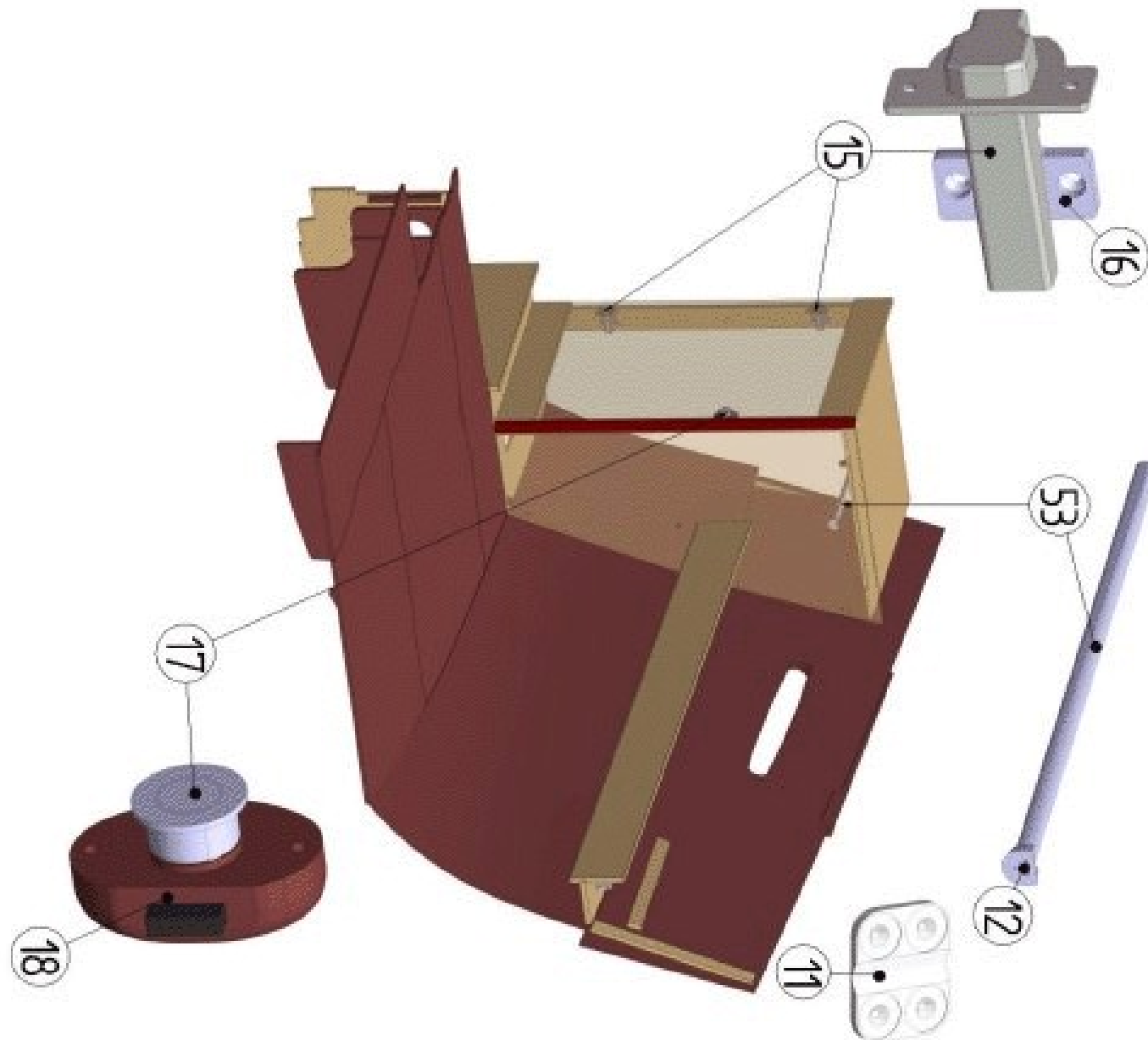
INTERIOR EQUIPMENT



INTERIOR EQUIPMENT



INTERIOR EQUIPMENT



INTERIOR EQUIPMENT

option	Pos.	Part No.	Description	Quant. per boat	Version / Option	SS_FAM	Begining hull number	Ending hull number
	1	006233	CHR BRASS DOOR HINGE (LEFT) 60X40	9,000				6
	1	006232	CHR BRASS DOOR HINGE (RIGHT) 60X40	6,000				
	1	082151	HINGE REVERSIBLE 60X51 STDG	9,000			7	
	2	082012	LOCK EP18-30 STDG	5,000				
	3	080819	LOCK DOOR +KNOB PTE 18-23	5,000				218
	3	171869	ROUNDED HANDLE	5,000			219	
	4	903439	CEILING ROSE ROUND PTE18-23 STDG	5,000				100
	4	001908	OPENING BEARER L210+S S SPRING	2,000				83
	4	001908	OPENING BEARER L210+S S SPRING	1,000			84	
	4	126995	CEILING ROSE ROUND PTE18-30 STDG	5,000			101	
	5	905357	STRIKING PLATE DOOR THICK18 STDG	5,000				
	6	037472	ALUMINIUM DOOR STEP 35X14 L516_	5,000				
	7	012915	DOOR STOP (LARGE SIZE)	4,000				18
	7	012915	DOOR STOP (LARGE SIZE)	3,000			19	
	8	085177	MIRROR AFT CABIN 15530 V4C	1,000				202
	8	151921	MIRROR MIRA 0895X340X4 STD	1,000			203	213
	8	151924	MIRROR MIRA 0640X328X4 STD V2	1,000			214	
	9	074734	EQUERRE PLAST ASSEMBLAGE ANGLE	126,000				
	10	966739	PLASTIC HINGE	10,000				
	11	990347	BROWN PLASTIC ANGLE	18,000				11
	11	990347	BROWN PLASTIC ANGLE	17,000			12	18
	11	990347	BROWN PLASTIC ANGLE	15,000			19	
	11	037236	ASSEMBLY PM2T 37106 BROWN	18,000			19	
	12	003678	CURTAINS ROD PLASTIC HOLDER D20	3,000				
	13	013180	PUSH LOCK BOLT LATCH 25X40	2,000				
	14	021711	AL TUBE D20X17 L 525	1,000				
	15	072546	HINGE 90 FLUSH	14,000				
	16	072547	BASE PR CP	17,000				

INTERIOR EQUIPMENT

option	Pos.	Part No.	Description	Quant. per boat	Version / Option	SS_FAM	Begining hull number	Ending hull number
	17	073474	CATCH CUPBOARD BUTTON PUSH LOCK C/BRASS	16,000				
	18	073475	CATCH CUPBOARD PUSH LOCK LATCH MECHANISM	16,000				
	19	075888	MIRROR 490X398X4 SILVER GLASS	2,000				202
	19	151909	MIRROR MIRA 0490X398X4 STD	2,000			203	
	20	012967	HOOK CHROMED BRASS 64X32 H24	2,000				
	21	082248	SUPPORT FOR THE GLASS + GLASS AM	1,000			30	231
	21	082248	SUPPORT FOR THE GLASS + GLASS AM	1,000				29
	21	169316	SUPPORT FOR THE GLASS + GLASS NM	1,000			232	
	22	843650	TOWEL AND TOILETS PAPER WHITE HOLDER	1,000				29
	22	082289	CHROMED PAPER HOLD STDG	1,000			30	
	23	032672	CHROM BRASS HINGE 60X30	14,000				11
	23	032672	CHROM BRASS HINGE 60X30	4,000			12	51
	23	032672	CHROM BRASS HINGE 60X30	2,000			12	
	24	071773	STRICKE INT SS H09X15X50	14,000				11
	24	071773	STRICKE INT SS H09X15X50	15,000			12	
	25	200514	LOCK BLACK PLASTIC INV	13,000				
	26	980643	FLAP HOLDER	13,000				21
	26	980643	FLAP HOLDER	6,000			22	
	27	077009	GRATE SHOWER PAN RIM	1,000				
	28	385700	BIN LATCH (RIGHT)	10,000				
	29	085113	S/S TABLE STAND SALOON 18400	1,000				
	30	045391	KNOB STAR M10	4,000				
	31	953928	DOOR STOP (SMALL SIZE)	2,000				
	32	083837	HANDRAIL S/S SALOON 18400	2,000				187
	32	141544	HANDRAIL S/S SALOON 18400	2,000			188	
	33	631510	WHITE BASKET 260X360! NOT AVAILABLE !	4,000				2

INTERIOR EQUIPMENT

option	Pos.	Part No.	Description	Quant. per boat	Version / Option	SS_FAM	Begining hull number	Ending hull number
	34	085485	STOVE PROTECTING BAR LGTH 620 CD	1,000				
	35	002013	CHROM PLATED BRASS CAP RING D60	1,000				180
	35	903643	RING BASIN IN D50	1,000			181	
	36	031154	S S HINGE 80X30 ICE BOX	2,000				180
	36	082157	HINGE OVAL 57X30 STDG	2,000			181	
	37	057615	SLIDING DRAWER L300	2,000				
	38	063623	DRAWERS P300XL300XH95	2,000				
	39	066097	HINGE AUTOMATIC HETTICH	34,000				
	40	066921	FINGER PULL CHROME ABS D23 25	1,000				
	41	956494	WHITE DUSTBIN	1,000				
	42	084741	S S SEAT CHART TABLE 15400	1,000				
	43	049813	LOCK DOOR GRABBER 22N	1,000				11
	43	049813	LOCK DOOR GRABBER 22N	2,000			12	
	44	986709	FERR PLAST ENCLIQUETAGE MAL	4,000				
	45	083376	ROD L300 PLASTIC STOP	2,000				
	46	953899	HINGE CR BRASS 80X60	3,000				
	47	072545	HINGE 90 RECESSED	5,000				
	47	082155	HINGE ADJUSTABLE 78X32 STDG	3,000			3	186
	47	072545	HINGE 90 RECESSED	3,000				2
	47	082156	HINGE 80X60 STDG	3,000			187	
	48	079682	COCOTTE BOLT LATCH 11X50	8,000				11
	49	083832	HANDRAIL S/S COMPANIONWAY 18400 STARB.	1,000				187
	49	141543	HANDRAIL S/S COMPANIONWAY 18400 STARB.	1,000			188	
	50	083831	HANDRAIL S/S COMPANIONWAY 18400 PORT	1,000				187
	50	141542	HANDRAIL S/S COMPANIONWAY 18400 PORT	1,000			188	
	51	056809	S S LATCH FLUSH-PULL 7 A 12MM	1,000				

