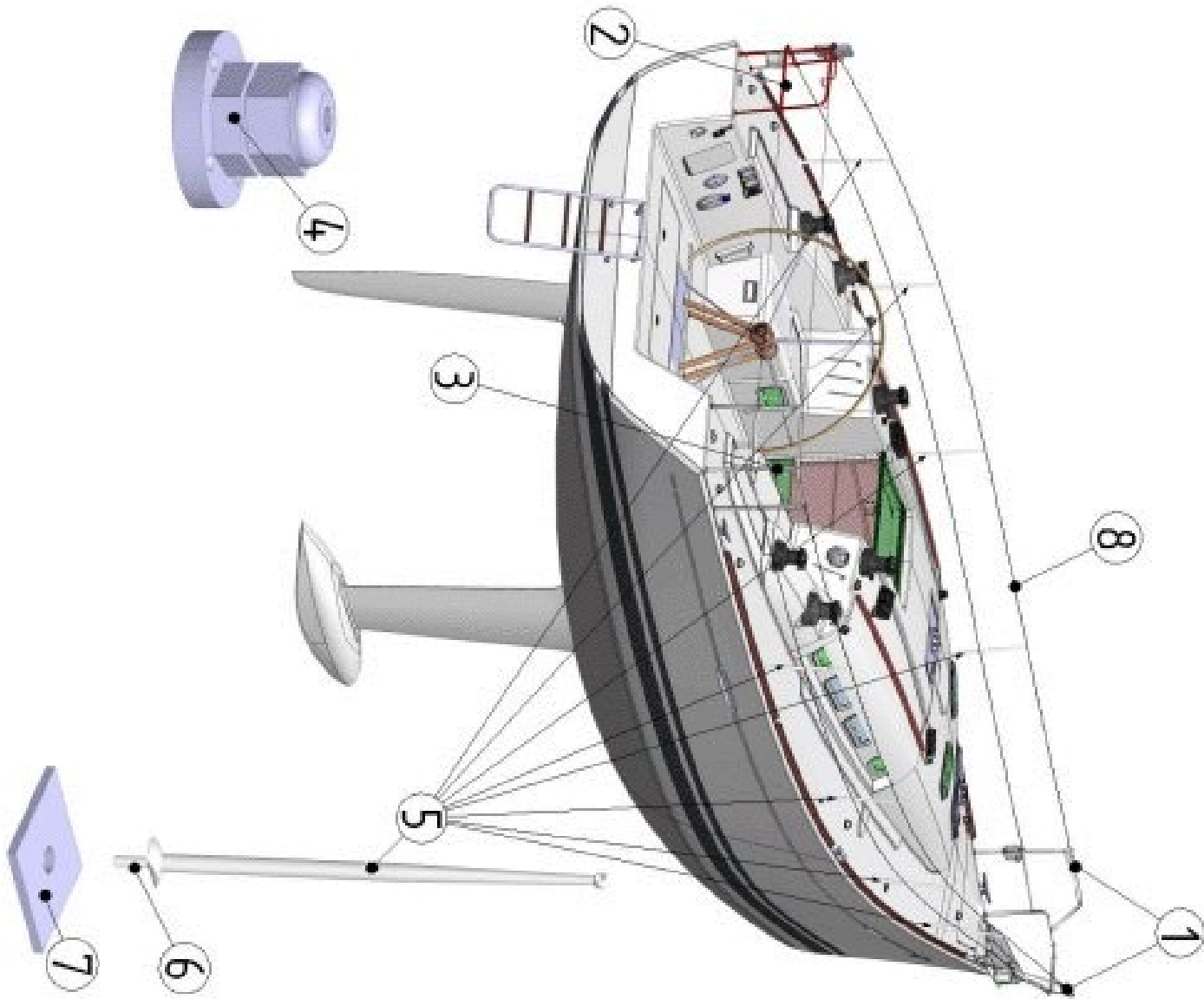


HUMAN PROTECTION



HUMAN PROTECTION

option	Pos.	Part No.	Description	Quant. per boat	Version / Option	SS_FAM	Begining hull number	Ending hull number
	1	081943	PULPIT FWD CLOSE 18400	1,000				
	2	081944	PULPIT AFT PORT 18400	1,000				
	3	081945	PULPIT AFT STBD 18400	1,000				
	4	049778	GPS PAD EYE STERN RAIL	2,000				
	5	069209	STANCHION L610 D22 N 3	8,000				195
	5	130401	STANCHION L610 D22 STDG	8,000			196	
	6	067155	S S STANCHION BASE D25 NM	8,000				166
	6	129230	S S STANCHION BASE D22 WOOD M14X50	8,000			167	
	7	046897	ALU PLATE 70X70X5 + HOLE D15_	8,000				
	8	085636	LIFELINES 18400 NO COVER	1,000				