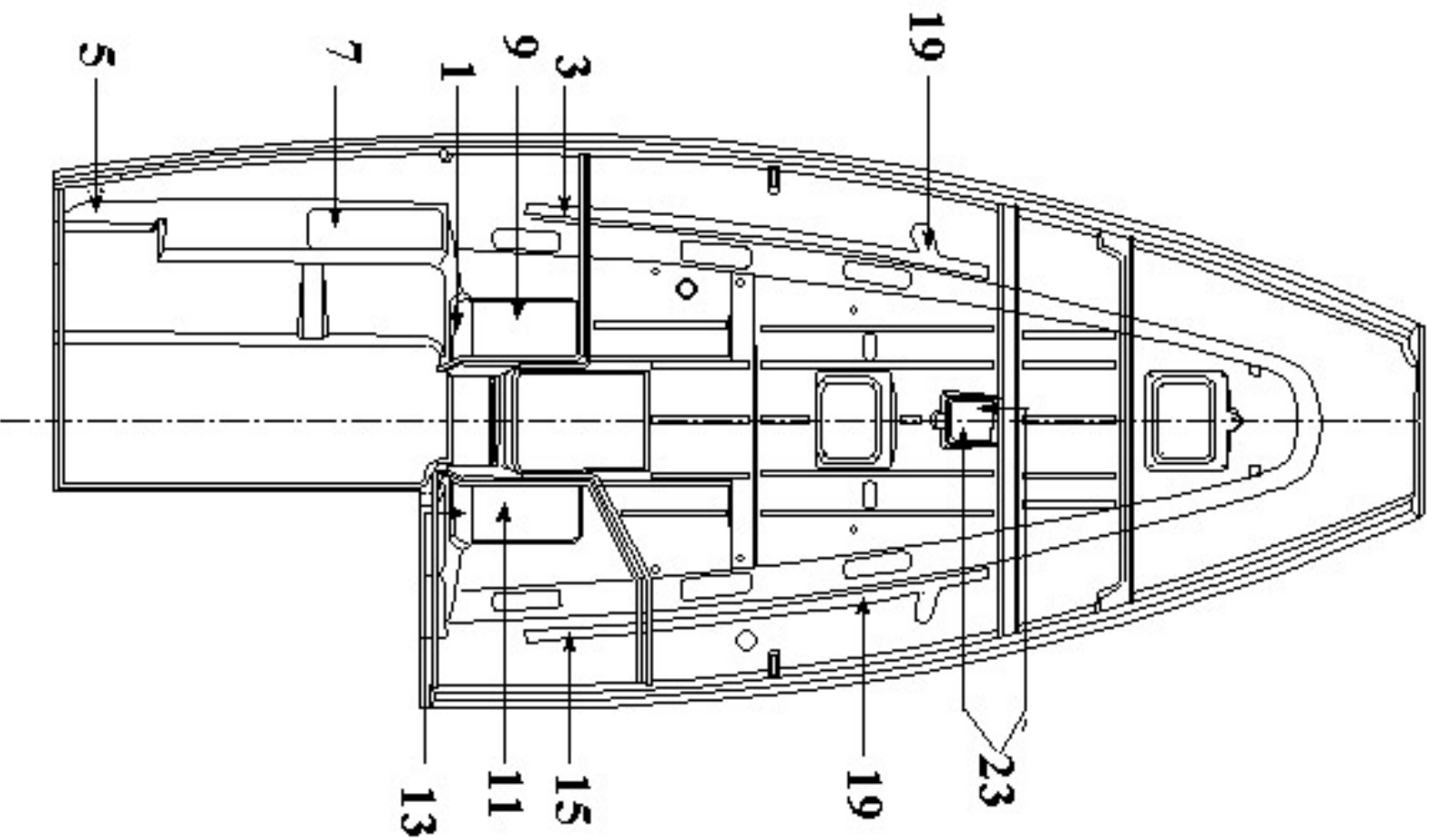
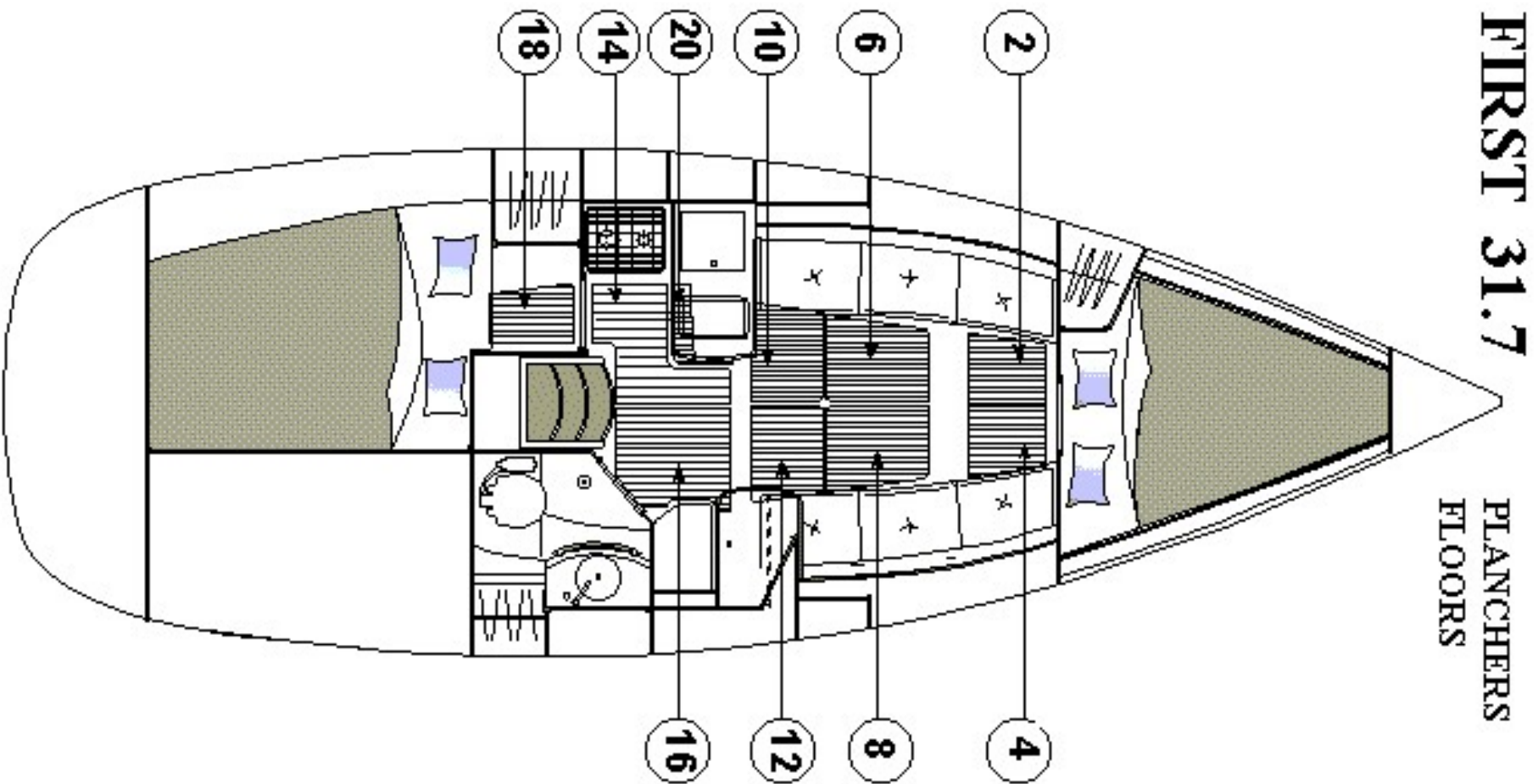


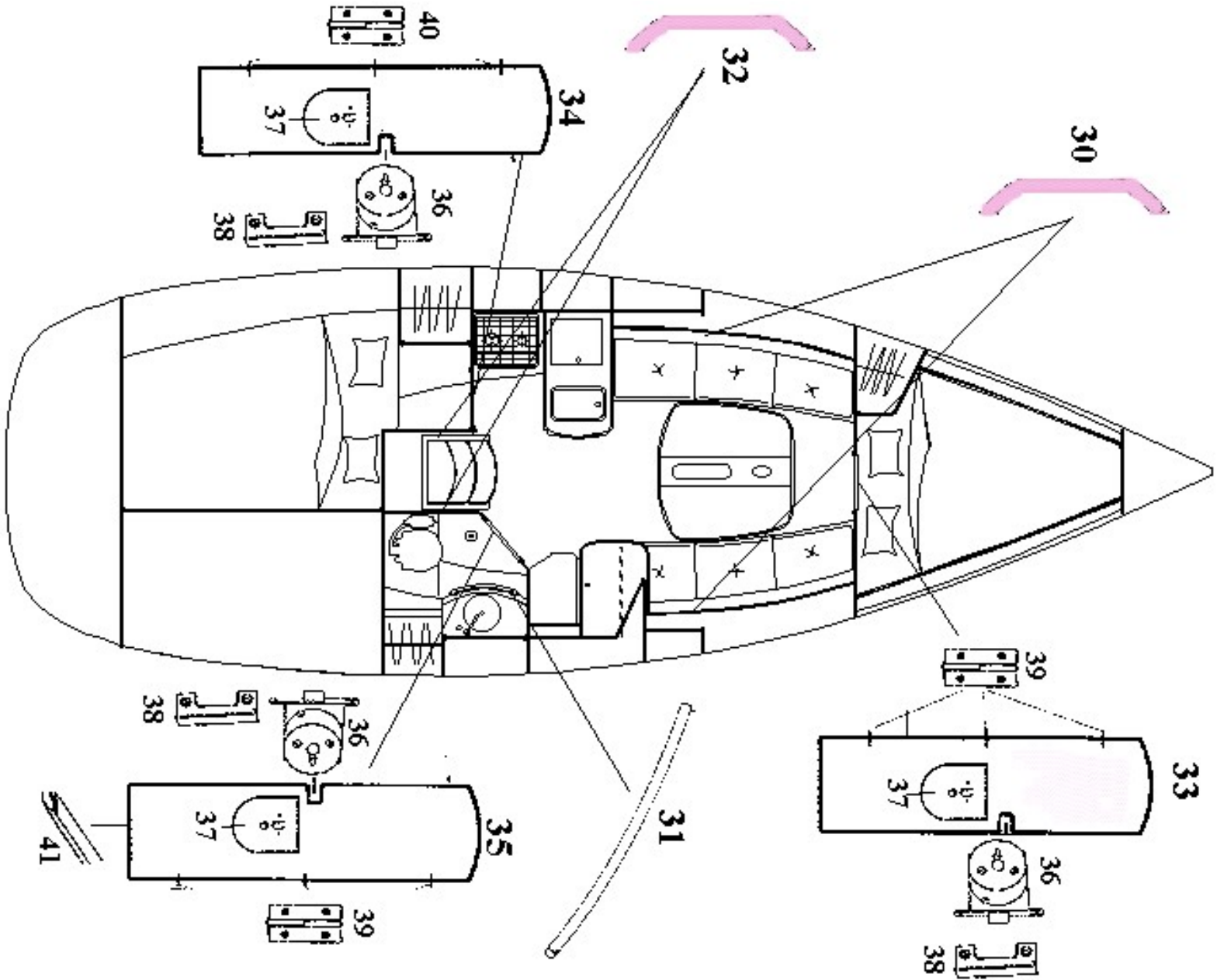
FIRST 31.7 PLAFONDS



INTERIOR WOOD



FIRST 31.7



INTERIOR WOOD

option	Pos.	Part No.	Description	Quant. per boat	Version / Option	SS_FAM	Begining hull number	Ending hull number
	1	W02703	CEILING 18317 AFT CAB PORT PF0002	1,000				
	2	W02715	FLOOR 18317 FWD PORT SALOON	1,000				1068
	3	W02704	CEILING 18317 NUT COVER AFT CAB PORT	1,000				
	4	W02716	FLOOR 18317 FWD STBD SALOON	1,000				1068
	5	W02705	CEILING 18317 FWD AFT CAB PORT	1,000				
	6	W02717	FLOOR FWD PORT SIDE U TABL 18317	1,000				1068
	7	W02706	CEILING 18317 FWD GANGWAY AFT CAB	1,000				
	8	W02718	FLOOR FWD STBD SIDE U TABL 18317	1,000				1068
	9	W02707	CEILING 18317 UPPER AFT CAB PORT PF0010	1,000				
	10	W02719	AFT PORT FLOOR 18317	1,000				1068
	11	W02708	CEILING 18317 UPPER BATHROOM PF0012	1,000				
	12	W02720	FLOOR FWD STBD SIDE U TABL 18317	1,000				1068
	13	W02709	CEILING 18317 BATHROOM SIDE COCKPIT	1,000				
	14	W02721	FLOOR 18317 PORT COMPANIONWAY	1,000				1068
	15	W02710	CEILING 18317 NUT COVER SHOWER ROOM	1,000				
	16	W02722	FLOOR 18317 STBD COMPANIONWAY	1,000				1068
	18	W02723	FLOOR 18317 AFT CAB	1,000				1068
	19	W02711	CEILING 18317 NUT COVER SALOON PORT	1,000				
	20	W02724	FLOOR 18317 FIX UNDER LOCKER GALLEY	1,000				1068
	21	W02712	CEILING 18317 NUT COVER SALOON STBD	1,000				
	23	W02713	CEILING 18317 AFT PILLAR	1,000				
	23	W02714	CELLING 18317 FWD PILLAR	1,000				
	30	W02882	WOODEN HANDRAIL LG 670 REF 407	2,000				

