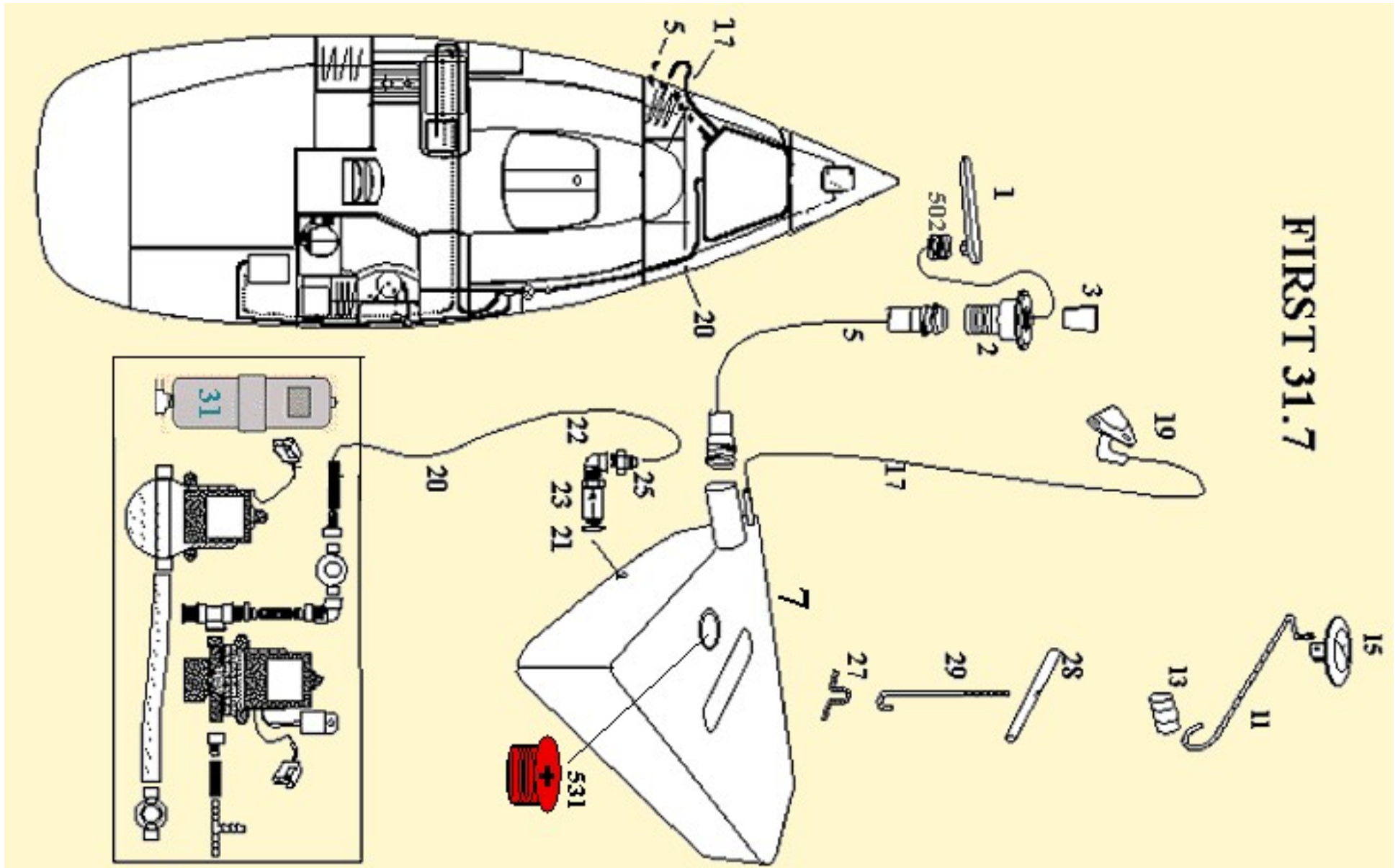
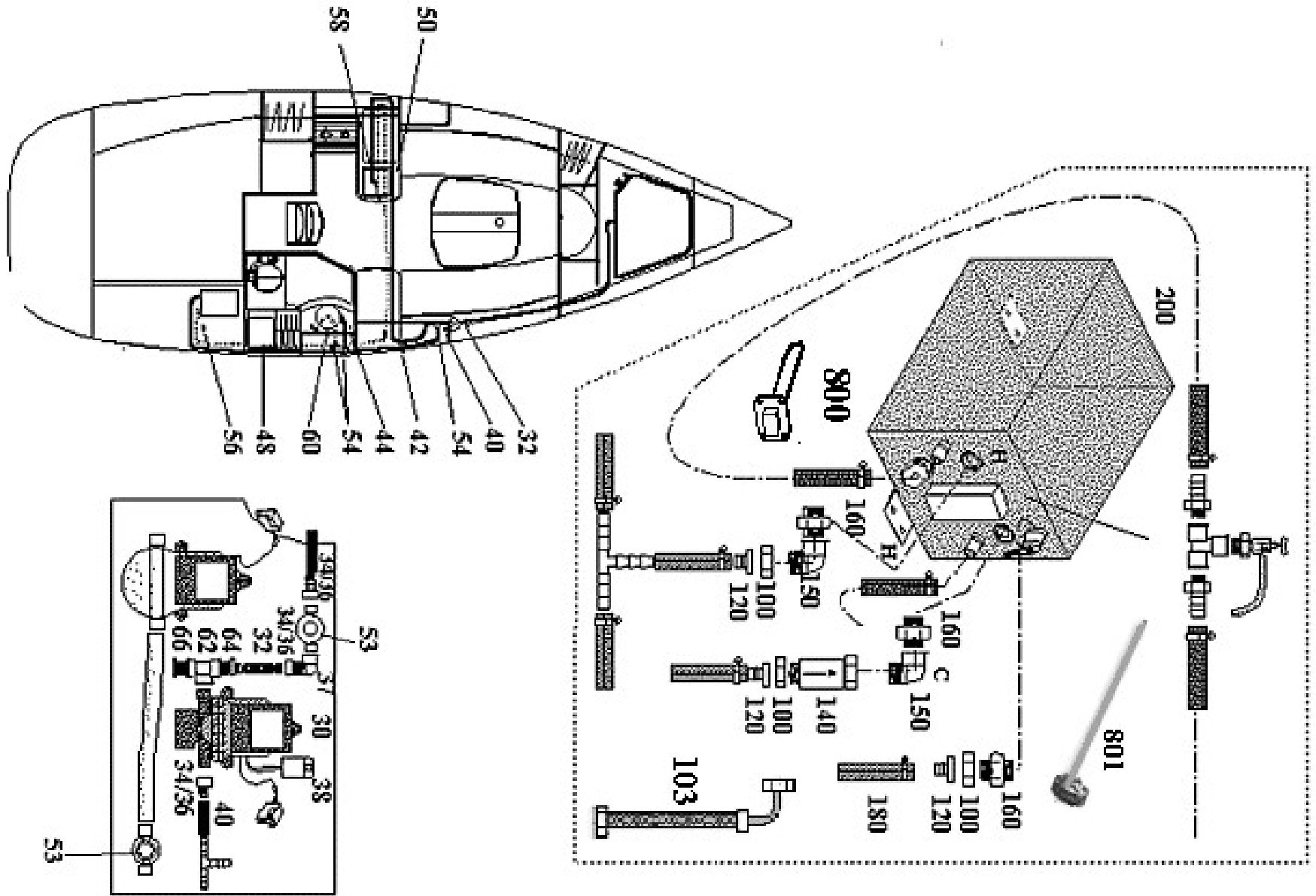


INTERIOR PLUMBING



INTERIOR PLUMBING



INTERIOR PLUMBING

| option | Pos. | Part No. | Description | Quant. per boat | Version / Option | SS_FAM | Begining hull number | Ending hull number |
|--------|------|----------|---|--------------------|---------------------|--------|-------------------------|-----------------------|
| | 1 | 231400 | TIGHTEN SPANNER WATER TANK DECK FILL CAP | 1,000 | | | | |
| | 2 | 010791 | NYLON DECK FILLER WATER (BLUE) | 1,000 | | | | |
| | 2 | 014053 | NOT AVAILABLE ANYMORE | 1,000 | | | | |
| | 3 | 019111 | TRAPEZ ALU WEDGE 60X30X5 | 1,000 | | | | |
| | 5 | 019236 | BEN FLEX HOSE D35 L1! NOT AVAILABLE ! | 1,000 | | | | 206 |
| | 7 | 051185 | WATER TANK ROTO 160L EQUIP OPEN PORT | 1,000 | | | | |
| | 7 | 532250 | GAUGE FOR OUTBOARD LENGTH 560 | 1,000 | | | | |
| | 7 | 006731 | OUTBOARD GAUGE PLASTIC FLOAT(SM SIZE) | 1,000 | | | | |
| | 7 | 268247 | OUTBOARD GAUGE LID (TRANSPARENT) | 1,000 | | | | |
| | 7 | 056802 | PLUG ROTOMOLDED WATER TANK 170L | 1,000 | | | | |
| | 11 | 532250 | GAUGE FOR OUTBOARD LENGTH 560 | 1,000 | | | | |
| | 13 | 006731 | OUTBOARD GAUGE PLASTIC FLOAT(SM SIZE) | 1,000 | | | | |
| | 15 | 268247 | OUTBOARD GAUGE LID (TRANSPARENT) | 1,000 | | | | |
| | 17 | 071156 | HOSE SPIRACIER D16X23 GREY D16 | 3,000 | | | | |
| | 19 | 005750 | VENT CHROMED BRASS TANK BENT PORT D16 | 1,000 | | | | |
| | 20 | 072477 | CRISTAL HOSE 12X20 BLUE | 3,000 | | | | |
| | 21 | 025409 | NITRILE TORIC JOINT 15_5X3_53 | 1,000 | | | | |
| | 22 | 073711 | ELBOW 90 MF 1_2P STDG BRZ AM | 1,000 | | | | |
| | 23 | 022384 | NON-RETURN VALVE MF 15X21 BRASS | 1,000 | | | | |
| | 25 | 021142 | STRAIGHT BRASS CONN M15X21 D12 | 1,000 | | | | |
| | 27 | 041700 | STANDARD D6 ANCHOR LOCKER CHAIN EYE | 1,000 | | | | |
| | 28 | 038037 | ALU TUBE D30X4 L480 HOLE D12 | 1,000 | | | | |

INTERIOR PLUMBING

| option | Pos. | Part No. | Description | Quant. per boat | Version / Option | SS_FAM | Begining hull number | Ending hull number |
|--------|------|-----------|---|--------------------|---------------------|--------|-------------------------|-----------------------|
| | 29 | 864300 | TANK TIE ROD LGTH 380 140MM AM | 1,000 | | | | |
| | 30 | 054487 | WATER PUMP 12V 7A 12_5L MN 2_5B | 1,000 | | | 409 | |
| | 30 | 956316 | WATER SET 12V 15L MN ITT PAR MAX | 1,000 | | | | 408 |
| | 31 | 058471 | EXPANSION VESSEL FOR WATER ITT 1L | 1,000 | | | | |
| | 32 | 072477 | CRISTAL HOSE 12X20 BLUE | 1,000 | | | | |
| | 34 | 021145 | BRASS NUT F15X21 UNION | 3,000 | | | | |
| | 36 | 021141 | STRAIGHT BRASS CONN BEN F15X21 D12 | 3,000 | | | | |
| | 37 | 073711 | ELBOW 90 MF 1_2P STDG BRZ AM | 1,000 | | | | |
| | 38 | 761650 | RELAY 012V 25A CARTIER O+F | 1,000 | | | | |
| | 40 | 072477 | CRISTAL HOSE 12X20 BLUE | 1,000 | | | | |
| | 42 | 072477 | CRISTAL HOSE 12X20 BLUE | 2,000 | | | | |
| | 44 | 072477 | CRISTAL HOSE 12X20 BLUE | 1,000 | | | | |
| | 48 | 072477 | CRISTAL HOSE 12X20 BLUE | 3,000 | | | | |
| | 50 | 072477 | CRISTAL HOSE 12X20 BLUE | 6,000 | | | | |
| | 53 | 057469 | WATER PUMP FILTER 90 15X21 FLOJET | 1,000 | | | | |
| | 54 | 990561 | PLASTIC EE-PIECE 12X12X12 | 1,000 | | | | |
| | 56 | 058178 | CRISTAL HOSE 12X20 RED | 3,000 | | | | |
| | 58 | 058178 | CRISTAL HOSE 12X20 RED | 6,000 | | | | |
| | 60 | 058178 | CRISTAL HOSE 12X20 RED | 1,000 | | | | |
| | 62 | 016432 | BRASS T CONNECTION FFF 15X21 | 1,000 | | | | |
| | 64 | 021142 | STRAIGHT BRASS CONN M15X21 D12 | 1,000 | | | | |
| | 66 | 016142 | PLUG BRASS MALE 15X21 | 1,000 | | | | |
| | 100 | 021145 | BRASS NUT F15X21 UNION | 1,000 | | | | |
| | 101 | T22130085 | HOSE 25 L 0_85 WATER STDG | 1,000 | | | | |
| | 102 | 029657 | S S DOUBLE SINK 280X380+SINK+SMALL CHAIN | 1,000 | | | | |
| | 103 | 049815 | HEATER WATER HOSE L300 FF15X21 | 1,000 | | | | |

INTERIOR PLUMBING

| option | Pos. | Part No. | Description | Quant. per boat | Version / Option | SS_FAM | Beginning hull number | Ending hull number |
|--------|------|----------|--|--------------------|---------------------|--------|--------------------------|-----------------------|
| | 104 | 338000 | BRASS STR GROOVED END-PIECE M26X34 D25 | 1,000 | | | | |
| | 106 | 026069 | 2 WAY VALVE 1 4 FF26X34 BRASS S S | 1,000 | | | | |
| | 110 | 062479 | MIXING TAP SINK CHROMED / NOT AVAILABLE | 1,000 | | | | |
| | 111 | 027475 | STRAIGHT BASS CONN BEN M12X17 D12 | 2,000 | | | | |
| | 120 | 021141 | STRAIGHT BRASS CONN BEN F15X21 D12 | 1,000 | | | | |
| | 140 | 022384 | NON-RETURN VALVE MF 15X21 BRASS | 1,000 | | | | |
| | 150 | 073711 | ELBOW 90 MF 1_2P STDG BRZ AM | 2,000 | | | | |
| | 160 | 031060 | BRASS STR END-PIECE MM 15X21-1 2 NPT | 1,000 | | | | |
| | 180 | 072477 | CRISTAL HOSE 12X20 BLUE | 1,000 | | | | |
| | 200 | 062662 | WATER HEATER 220V 22L QUICK 2003 | 1,000 | | | | 1376 |
| | 200 | 091102 | WATER HEATER 220V 22L | 1,000 | | | 1377 | |
| | 200 | 148868 | S S PETROL DECK FILL! NOT AVAILABLE ! | 1,000 | | | 1377 | |
| | 200 | 148869 | BOILIER VALVE | 1,000 | | | 1377 | |
| | 200 | 148874 | PR4LB FWD CENT WINDSCREEN FLY | 1,000 | | | 1377 | |
| | 200 | 148876 | BOILIER MIXING | 1,000 | | | 1377 | |
| | 200 | 148879 | BOILIER KIT FIX | 1,000 | | | 1377 | |
| | 300 | 037326 | SHOWER POMMEL 2JETS+TAP+FLEX (COLD+HOT) | 1,000 | | | | 31 |
| | 301 | 044146 | END SHOWER POMMEL (2! NOT AVAILABLE ! | 1,000 | | | | 31 |
| | 302 | 129300 | PLUG + SMALL CHAIN W BASIN DRAIN | 1,000 | | | | |
| | 303 | 026942 | MIXING TAP COIFFEUR | 1,000 | | | 311 | |
| | 304 | 128500 | PLUG WASHBASIN PASTI! NOT AVAILABLE ! | 1,000 | | | | |
| | 305 | 047516 | SHOWER POMMEL 2JETS ! NOT AVAILABLE ! | 1,000 | | | 32 | 310 |

INTERIOR PLUMBING

| option | Pos. | Part No. | Description | Quant. per boat | Version / Option | SS_FAM | Beginning hull number | Ending hull number |
|--------|------|----------|--|--------------------|---------------------|--------|--------------------------|-----------------------|
| | 305 | 037272 | SHOWER POMMEL 2JETS CHROM +FLEX ARTICUL | 1,000 | | | 311 | |
| | 306 | 324600 | WASH-BASIN DRAIN PLA! NOT AVAILABLE ! | 1,000 | | | | |
| | 307 | 049204 | WHITE SHOWER HOSE L2000/NOT AVAILABLE | 1,000 | | | | |
| | 307 | 047518 | WHITE PLASTIMO SHOWE! NOT AVAILABLE ! | 1,000 | | | 32 | 310 |
| | 308 | 073338 | HOSE RAW WATER ENGIN DIA20 STD G | 1,000 | | | | |
| | 309 | 047931 | SUPPORT SHOWER WHITE! NOT AVAILABLE ! | 1,000 | | | 32 | 310 |
| | 310 | 342700 | HOSE BARB MALE BRASS 20X27 D19 | 1,000 | | | | |
| | 312 | 073712 | ELBOW 90 MF 3_4P STDG BRZ AM | 1,000 | | | | |
| | 314 | 026068 | VALVE BALL 1 4 T 20X27 BR W S S HANDLE | 1,000 | | | | |
| | 316 | 070294 | THRU HULL BR 20X27 3 4 | 1,000 | | | | |
| | 318 | 530752 | SWITCH APR WATERPROOF PUSH | 1,000 | | | | |
| | 320 | 067804 | SHOWER DRAIN PIPE D20X70 BENT NM | 1,000 | | | | |
| | 321 | 027611 | S S BUNG GRILL D85 | 1,000 | | | | |
| | 322 | 073338 | HOSE RAW WATER ENGIN DIA20 STD G | 2,000 | | | | |
| | 325 | 027475 | STRAIGHT BASS CONN BEN M12X17 D12 | 2,000 | | | 311 | |
| | 502 | 014053 | NOT AVAILABLE ANYMORE | 1,000 | | | | |
| | 531 | 056802 | PLUG ROTOMOLDED WATER TANK 170L | 1,000 | | | | |
| | 532 | 040445 | SET PLUG+TOP+SMALL CHAIN 029657 | 1,000 | | | | |
| | 800 | 055461 | RESISTANCE WATER HEATER 220V QUICK | 1,000 | | | 288 | |
| | 800 | 045865 | RESISTANCE WATER HEATER 220V SEAWARD | 1,000 | | | | 287 |
| | 801 | 057616 | QUICK WATER HEATER THERMOSTAT 110 220V | 1,000 | | | | |
| | | | | | | | | |