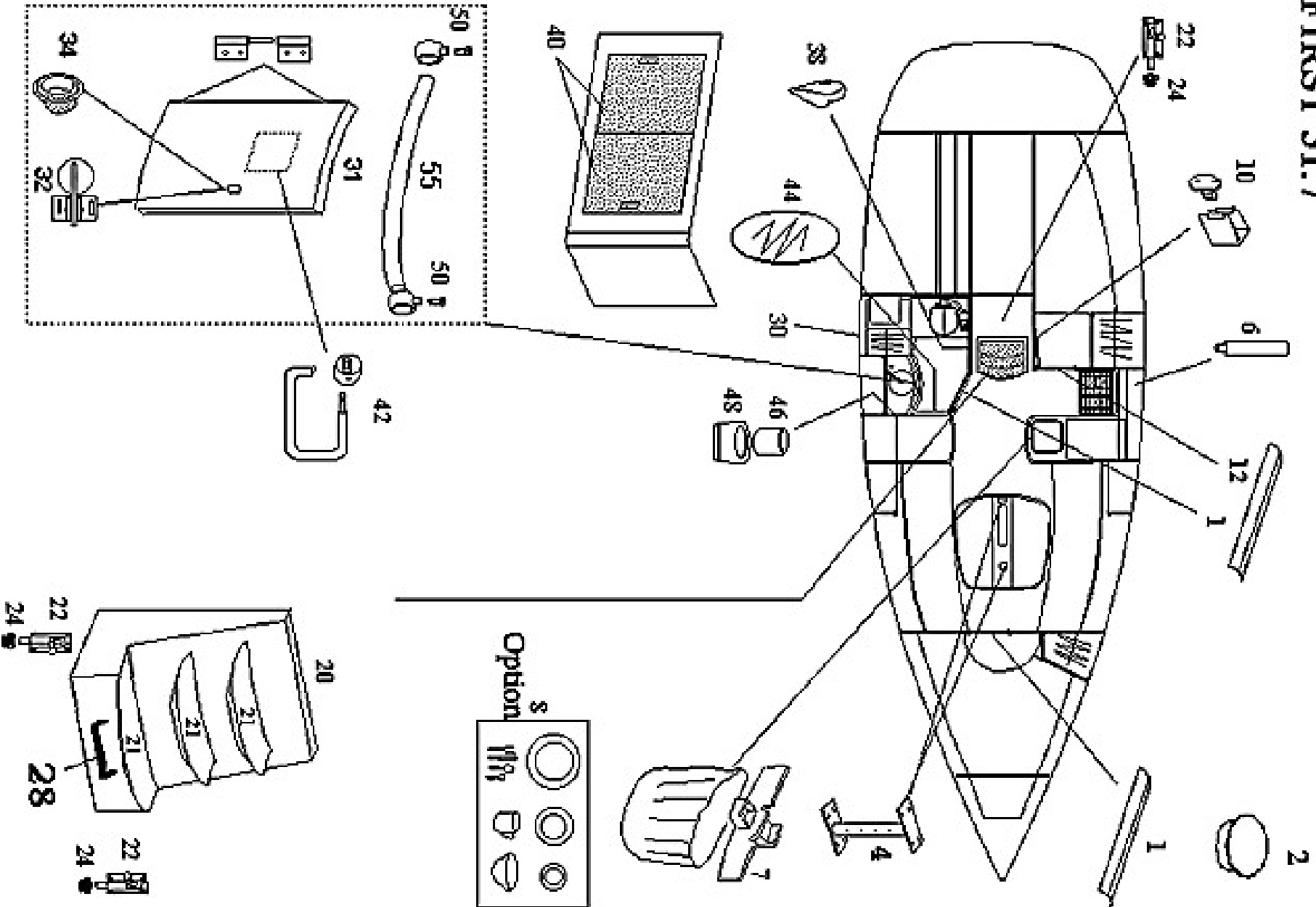


FIRST 31.7



INTERIOR EQUIPMENT

option	Pos.	Part No.	Description	Quant. per boat	Version / Option	SS_FAM	Begining hull number	Ending hull number
	1	044778	ALU DOOR STEP 35X14 L448	1,000				
	2	130800	PLUG PLASTIC D100 COLORLESS	1,000				
	3	047491	SET CEILING TRIM PRE-PASTED	1,000				1259
	3	080106	PART NO LONGER AVAILABLE	1,000			1260	
	4	018920	S S TABLE STAND L300 D53 EA90X40	2,000				
	6	003960	BLACK PLASTIC WEDGE CROCKERY D16 L115	6,000				
	7	032503	PLASTIC SUPPORT DUSTBIN BAG	1,000				
	8	043111	MELANIA DISHES SET O! NOT AVAILABLE !	3,000				
	9	047689	S S THREADED BAR M 6/NOT AVAILABLE	8,000				
	10	048950	DOOR STOP	1,000				
	12	033784	ALU DOOR STEP 35X14 L432	1,000				
	20	047469	INT COMPANIONWAY 18317	1,000				
	21	054417	ANTI SKID BROWN 25MM L350 X4	1,000			921	
	21	W03173	PART NO LONGER AVAILABLE	3,000				
	22	918000	CHROMED BRONZE FLAT LOCK 30X30	2,000				
	24	058300	LOCK RING	1,000				
	28	046566	ALLOY ANOD HANDLE REF 116_05_922	2,000				
	30	047226	SHOWER ROOM 18317 AF! NOT AVAILABLE !	1,000				
	31	056094	HEAD LOCKER DOOR 14511	1,000				
	32	011967	PLASTIC + S STEEL BOLT	1,000				
	33	647750	CHR BRASS DOOR HINGE (RIGHT) 60X35	2,000				
	34	066921	FINGER PULL CHROME ABS D23 25	1,000				
	38	012967	HOOK CHROMED BRASS 64X32 H24	2,000				
	40	041870	AFT STBD HEAD LOCKER DOOR 14381	2,000				
	42	843650	TOWEL AND TOILETS PAPER WHITE HOLDER	1,000				1364

