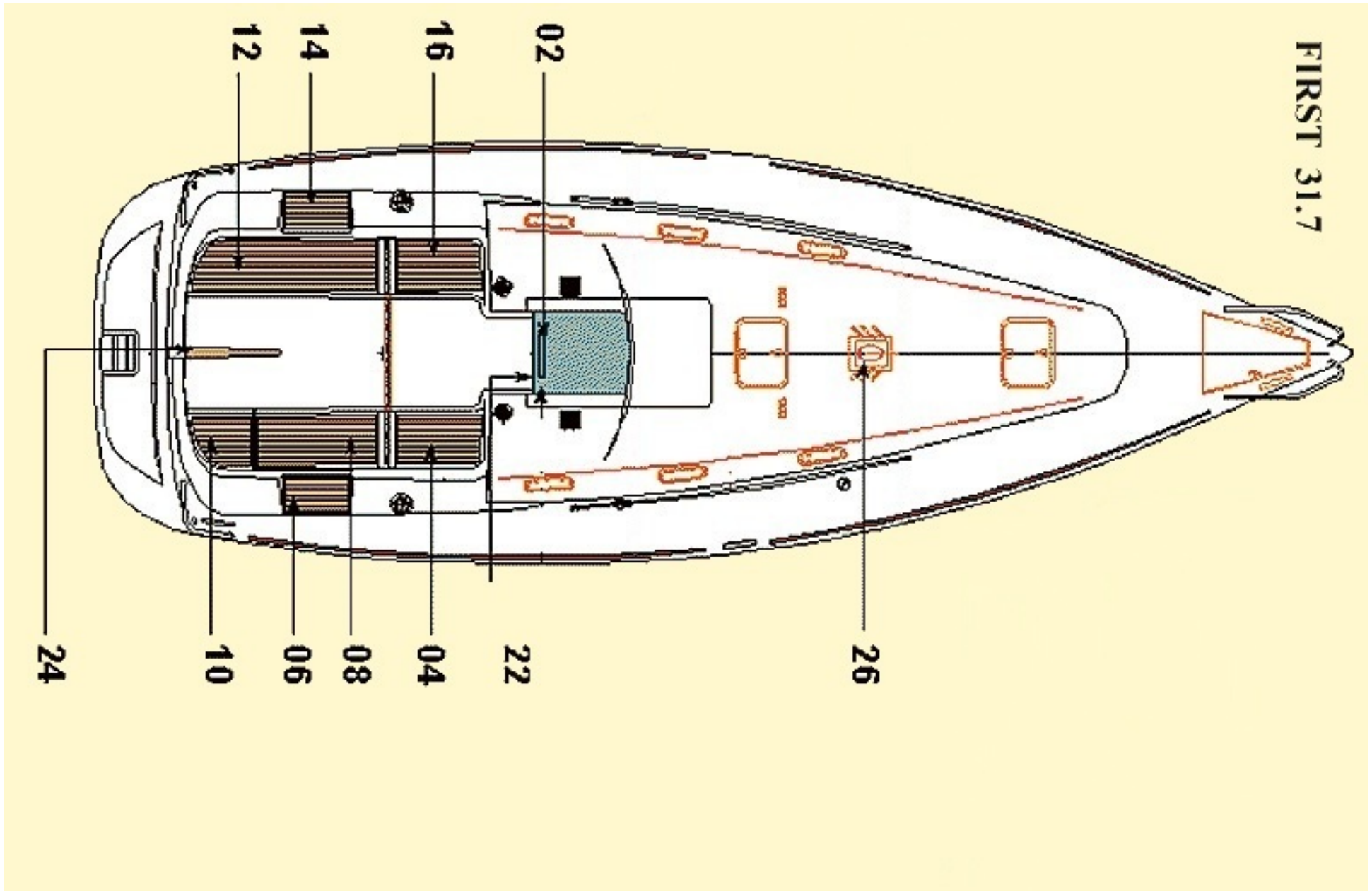


EXTERIOR WOOD



EXTERIOR WOOD

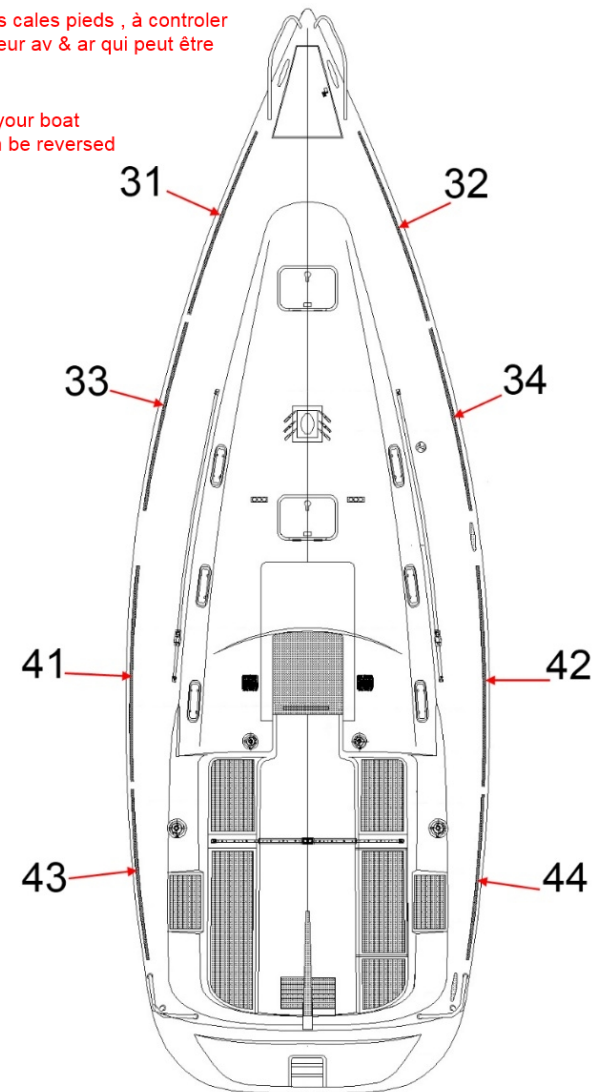
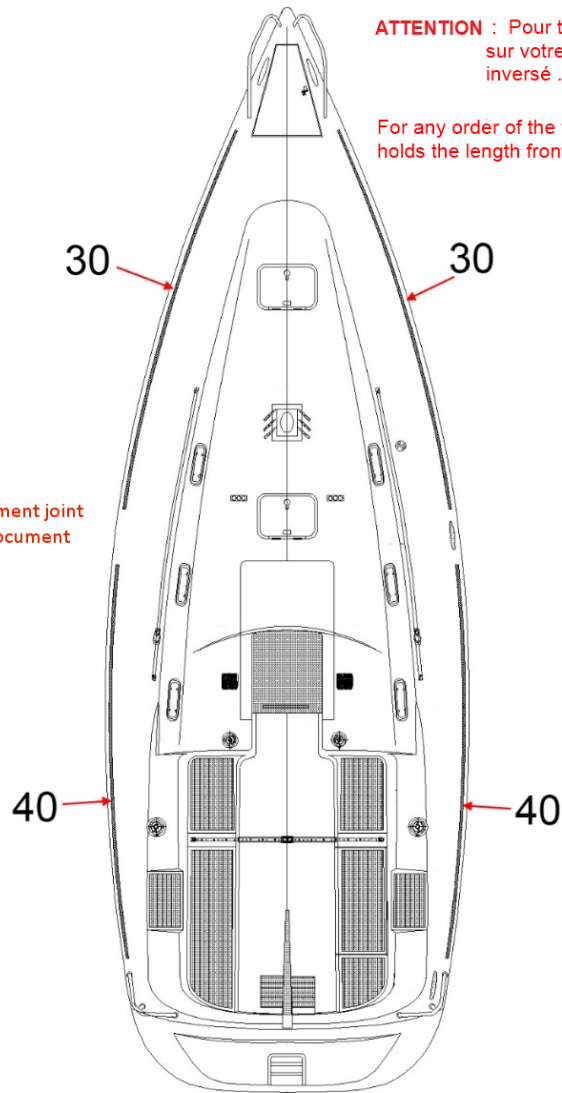
JUSQU'A COQUE 1343
BEFORE HULL 1343

A PARTIR COQUE 1344
AFTER HULL 1344

ATTENTION : Pour toute demande des cales pieds , à contrôler sur votre bateau la longueur av & ar qui peut être inversé .

For any order of the feet to control on your boat holds the length front and rear that can be reversed

ATTENTION : Repères 30 & 40.
Nouveaux profils 6002TE - voir document joint
New profile 6002TE - see attached document



LISTONS PVC: VOIR LIAISON COQUE/PONT
PVC GUARDRAILS: SEE HULL DECK JOINT

EXTERIOR WOOD

option	Pos.	Part No.	Description	Quant. per boat	Version / Option	SS_FAM	Begining hull number	Ending hull number
	2	W02939	SLIDING HATCH STRIP L500	1,000				
	4	W02693	AFT BENCH 18317 STBD	1,000				
	6	W02696	COAMING STBD 18317	1,000				
	8	W02698	LOCKER HATCH 18317 SAILS STBD	1,000				
	10	W02699	GAS LOCKER HATCH 18317 PORT	1,000				
	12	W02694	AFT BENCH 18317 PORT	1,000				
	14	W02697	COAMING PORT 18317	1,000				
	16	W02695	FWD BENCH 18317 PORT	1,000				
	22	052693	ENTRANCE DOOR	1,000				1276
	22	080291	PART NO LONGER AVAILABLE	1,000			1277	
	24	W02702	WOOD TILLER 18317 VERNIS	1,000				
	26	W02691	PARTNER DECK WEDGE 18317	1,000				
	30	166566	WOOD GUARDRAIL 2195 DOUKA 3760 WG	2,000				917
	30	166567	WOOD GUARDRAIL 2195 TECK 3760 WG	2,000			918	1343
	31	166568	WOOD GUARDRAIL 2195 TECK 2177 WQ	1,000			1344	1390
	32	166569	WOOD GUARDRAIL 2195 TECK 2177 WR	1,000			1344	1390
	33	166570	WOOD GUARDRAIL 2195 TECK 1577 WQ	1,000			1344	1390
	34	166571	WOOD GUARDRAIL 2195 TECK 1577 WR	1,000			1344	1390
	40	166572	WOOD GUARDRAIL 2195 DOUKA 3460 WG	2,000				917

