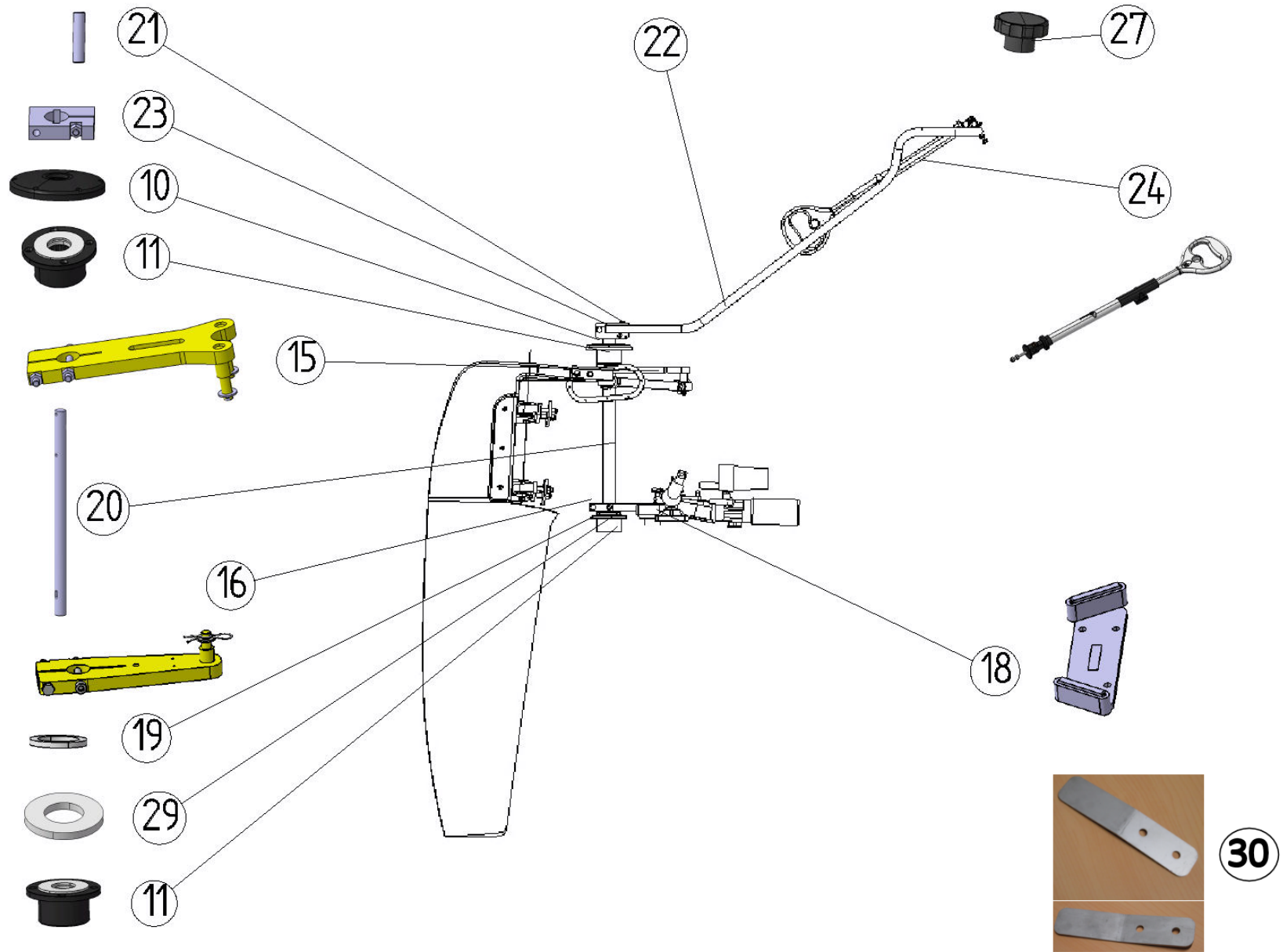
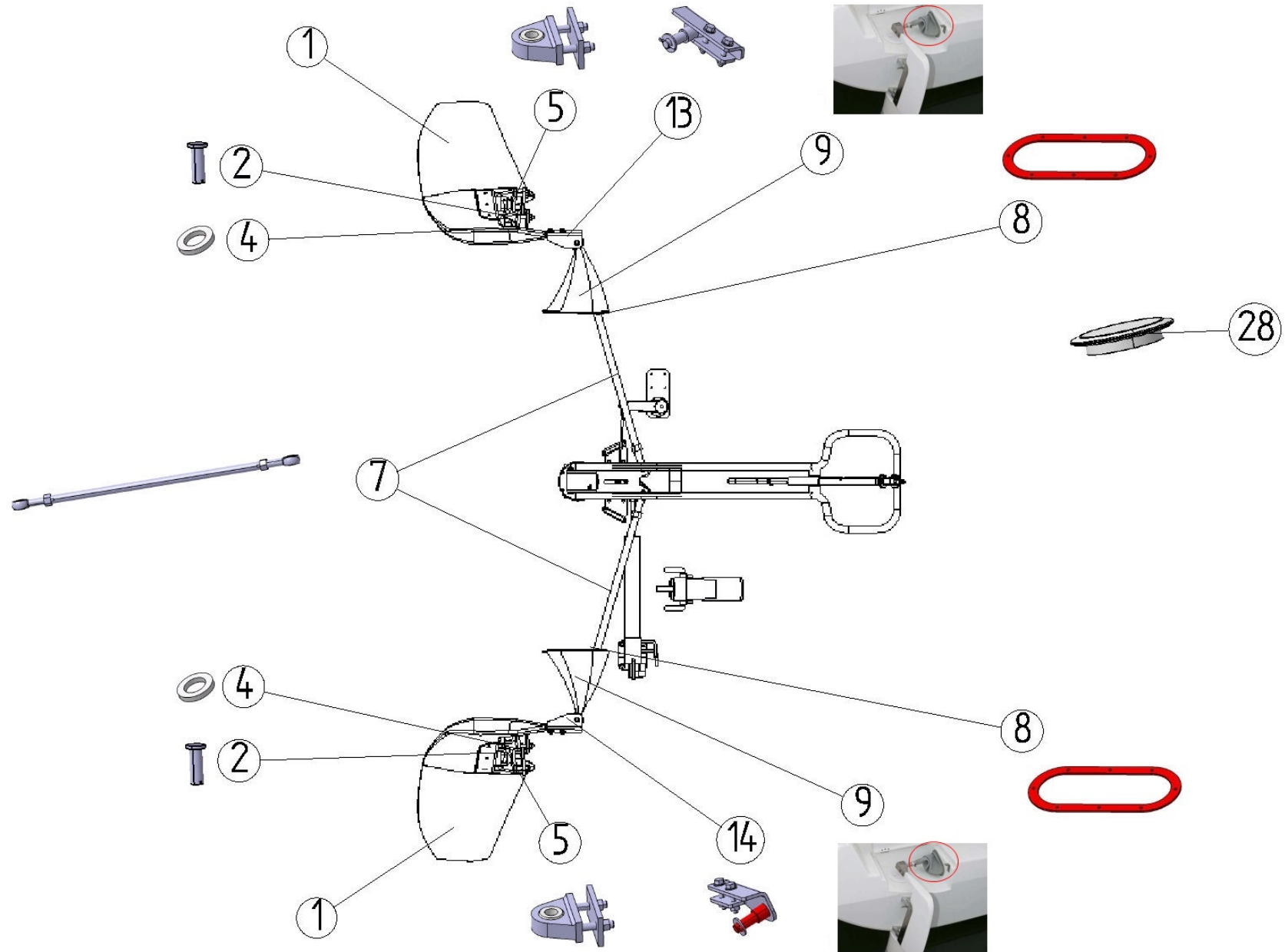


STEERING SYSTEM



STEERING SYSTEM



STEERING SYSTEM

option	Pos.	Part No.	Description	Quant. per boat	Version / Option	SS_FAM	Begining hull number	Ending hull number
	1	121491	RUDDER 18300	2,000		SYSTEME DIRECTION		24
	1	121491	RUDDER 18300	2,000		SYSTEME DIRECTION	25	
	2	121768	RUDDER FIX AXLE 18300	4,000		SYSTEME DIRECTION		
	3	467100	S S SPLIT PIN 3-2X25	6,000		SYSTEME DIRECTION		
	3	467000	S S SPLIT PIN 3X40	6,000		SYSTEME DIRECTION		
	4	121743	COMPENS BEARING 34X21X 5 18300	4,000		SYSTEME DIRECTION		
	5	121741	UPPER BEARING 18300	4,000		SYSTEME DIRECTION		
	7	121839	TIE ROD + CHAPE 18300	2,000		SYSTEME DIRECTION		
	8	125901	CADRE FIX SOUFFLET 18300	2,000		SYSTEME DIRECTION		
	9	121848	SOUFFLET NEOPRENE 18300 JEFA	2,000		SYSTEME DIRECTION		
	10	121882	COUVERC.PROTECT.PALIER 18300	1,000		SYSTEME DIRECTION		
	11	058206	UPPER BEARING D 35 JEFA	2,000		SYSTEME DIRECTION		
	12	078006	S S INSERT M06 7 12MM	4,000		SYSTEME DIRECTION		
	13	122984	TETE IN.SAFRAN BD 18300	1,000		SYSTEME DIRECTION		56
	13	132502	TETE IN.SAFRAN BD 18300 RENF.	1,000		SYSTEME DIRECTION	57	
	14	122985	TETE IN.SAFRAN TD 18300	1,000		SYSTEME DIRECTION		56
	14	132501	TETE IN.SAFRAN TD 18300 RENF.	1,000		SYSTEME DIRECTION	57	
	15	121899	RUDDER SHAFTY 18300 DBLE	1,000		SYSTEME DIRECTION		
	16	121900	RUDD.BAR/RUDD.STOCK D35 18300	1,000		SYSTEME DIRECTION		
	18	072323	RUDDER STOP OCEANIS II	1,000		SYSTEME DIRECTION		
	19	122515	COMPENS BEARING 50X 36X 5	1,000		SYSTEME DIRECTION		
	20	121938	MECHE CENTRALE D35 18300	1,000		SYSTEME DIRECTION		
	21	121939	GOUPILLE D10X 45	1,000		SYSTEME DIRECTION		
	22	121835	S S EMERGENCY TILLER 18300	1,000		SYSTEME DIRECTION		
	23	122135	S S NUT 18300	1,000		SYSTEME DIRECTION		
	24	058523	TELESCOPIC TILLER 700-1000MM	1,000		SYSTEME DIRECTION		
	25	072519	CHAIN L110 W RING D16	1,000		SYSTEME DIRECTION		
	26	954402	OPEN RING D15 WIRE D12/10	1,000		SYSTEME DIRECTION		
	26	954052	STAINLESS STEEL MACHINE S	1,000		SYSTEME DIRECTION		

