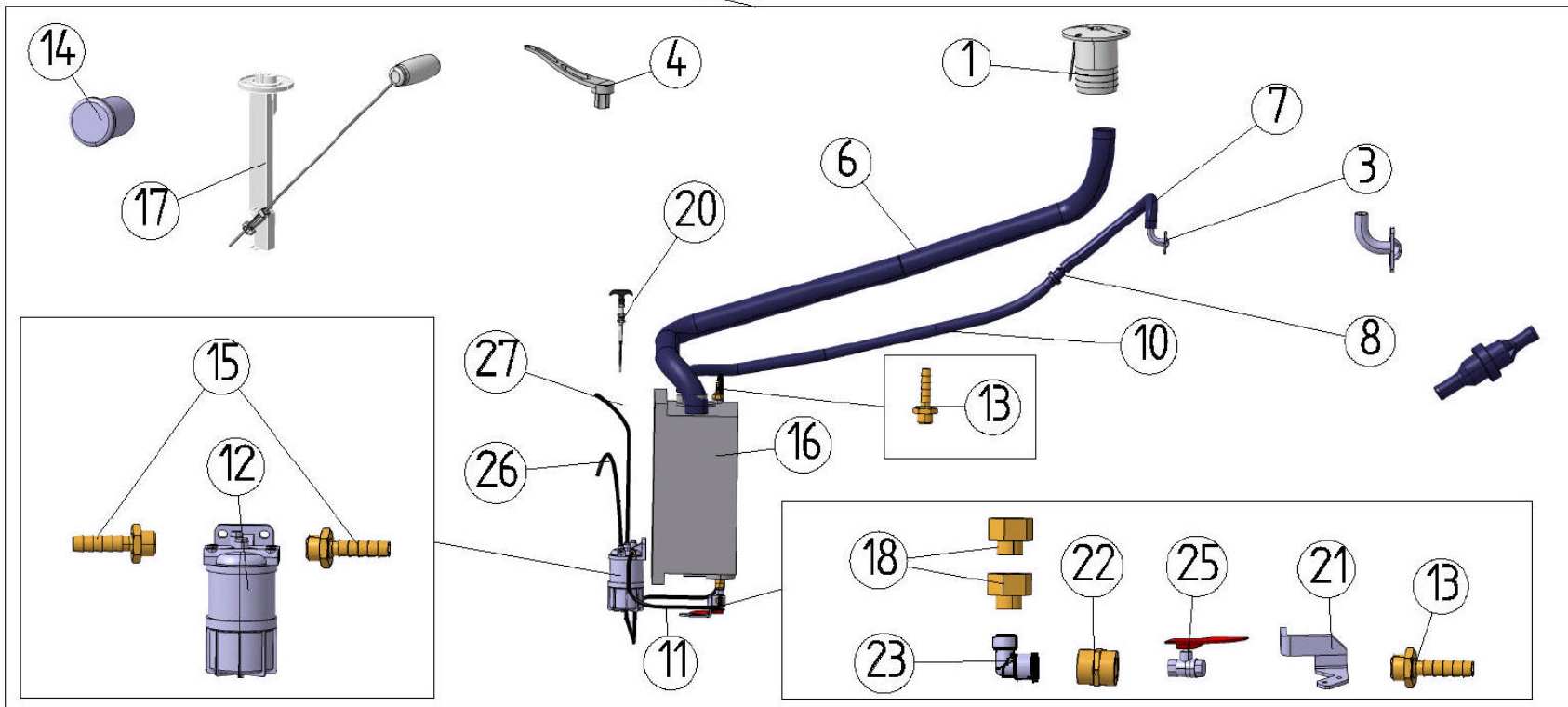
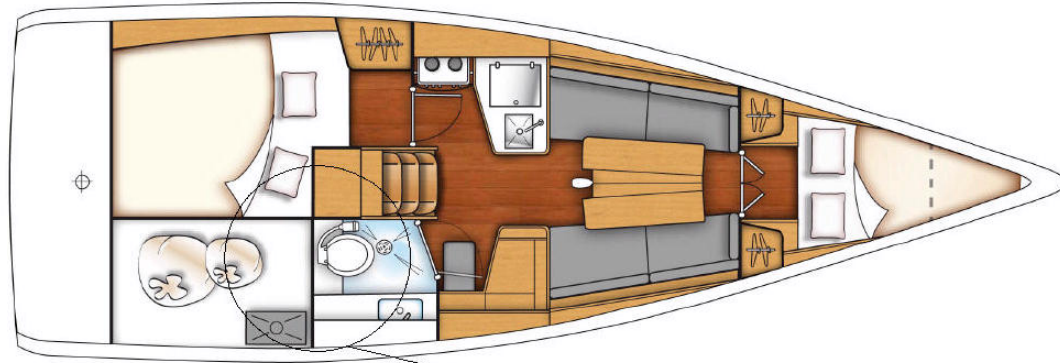


COMBUSTIBLE CIRCUIT



COMBUSTIBLE CIRCUIT

option	Pos.	Part No.	Description	Quant. per boat	Version / Option	SS_FAM	Begining hull number	Ending hull number
	1	065247	S S DECK FILLER GASOIL	1,000		CIRCUIT COMBUSTIBLE		42
	1	129433	S S DECK FILLER GASOIL STDG OSCOLATI	1,000		CIRCUIT COMBUSTIBLE	43	74
	1	065247	S S DECK FILLER GASOIL	1,000		CIRCUIT COMBUSTIBLE	75	112
	1	066262	TIGHTENNING SPANNER S S FUEL DECK FILLER	1,000		CIRCUIT COMBUSTIBLE	75	112
	1	129433	S S DECK FILLER GASOIL STDG OSCOLATI	1,000		CIRCUIT COMBUSTIBLE	113	
	3	005751	VENT CHROMED BRASS TANK BENT STBD D16	1,000		CIRCUIT COMBUSTIBLE		
	4	066262	TIGHTENNING SPANNER S S FUEL DECK FILLER	1,000		CIRCUIT COMBUSTIBLE		42
	4	066261	TIGHTEN SPANNER S S WATER DECK FILLER AM	1,000		CIRCUIT COMBUSTIBLE	43	155
	4	147544	TIGHTEN SPANNER S S WATER DECK FILLER NM	1,000		CIRCUIT COMBUSTIBLE	156	
	6	T35B0540150	FUEL LINE FILLING TANK D 54 L 1500	1,000		CIRCUIT COMBUSTIBLE		
	7	T35B0160010	TUYAU CARB ISO D 16 L 100	1,000		CIRCUIT COMBUSTIBLE		
	8	121633	FUEL NON-RETURN VALVE D16ATT	1,000		CIRCUIT COMBUSTIBLE		
	10	T35B0160160	TUYAU CARB ISO D 16 L1600	1,000		CIRCUIT COMBUSTIBLE		
	11	T35B0080060	FUEL LINE FILLING TANK D 8 L 600	1,000		CIRCUIT COMBUSTIBLE		
	12	055243	FUEL FILTER SEPAR VOLVO (C E)	1,000		CIRCUIT COMBUSTIBLE		
	13	068110	BRASS STR.GROOVED END-PIECE M1/2-20UNF D8	2,000		CIRCUIT COMBUSTIBLE		
	14	125335	INDICATOR GASOIL 12V 0 180 BLACK NM	1,000		CIRCUIT COMBUSTIBLE		
	15	048357	BRASS STR GROOVED END-PIECE M12X17 D8	2,000		CIRCUIT COMBUSTIBLE		
	16	001862	FUEL TANK ROTO 30L 350X240X460	1,000		CIRCUIT COMBUSTIBLE		
	17	878800	GAUGE 0 180OHMS TRANSMITTER FUEL LEVEL	1,000		CIRCUIT COMBUSTIBLE		
	18	022251	STRAIGHT BRASS CONN MF 8X13-12X17	2,000		CIRCUIT COMBUSTIBLE		

