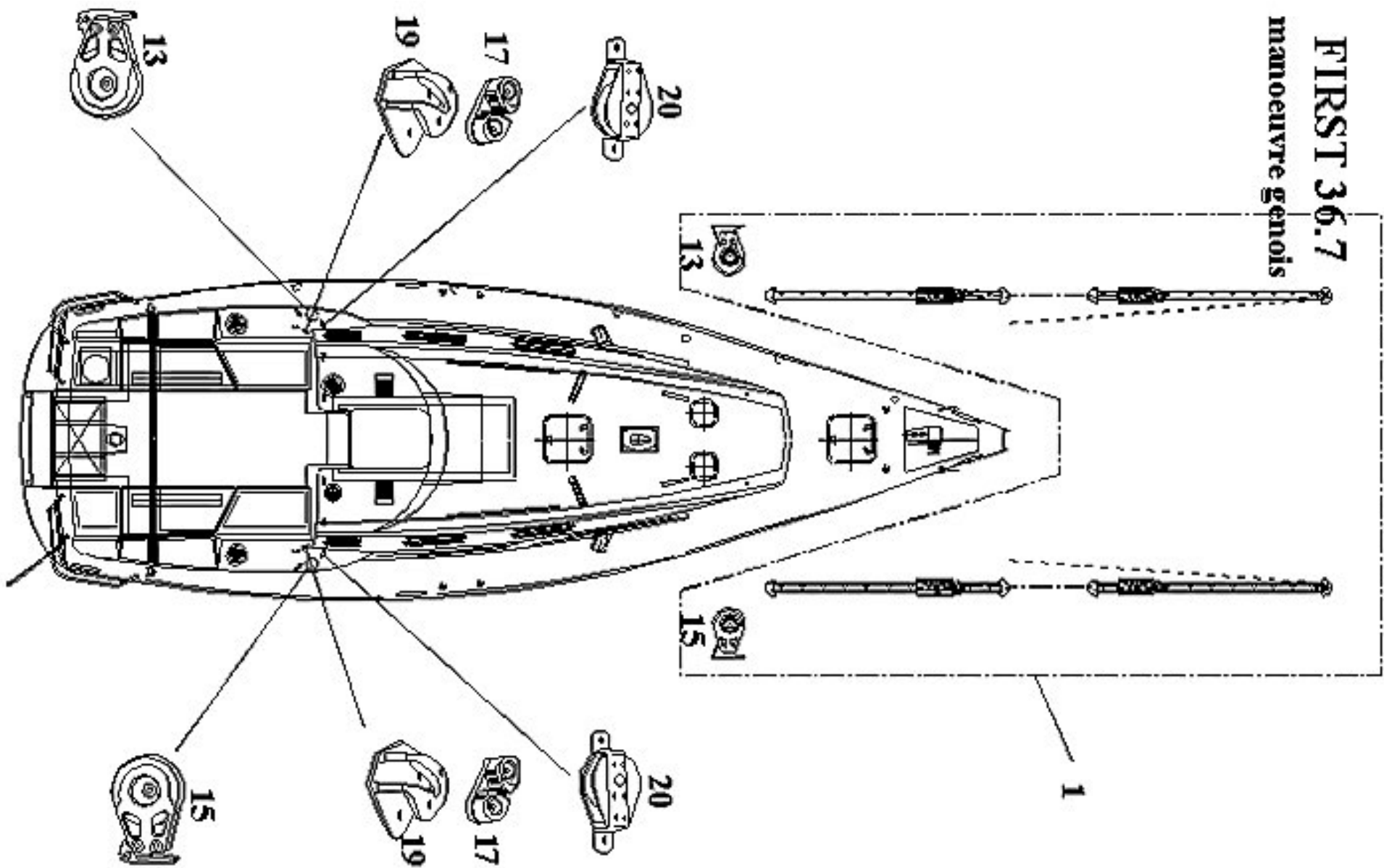
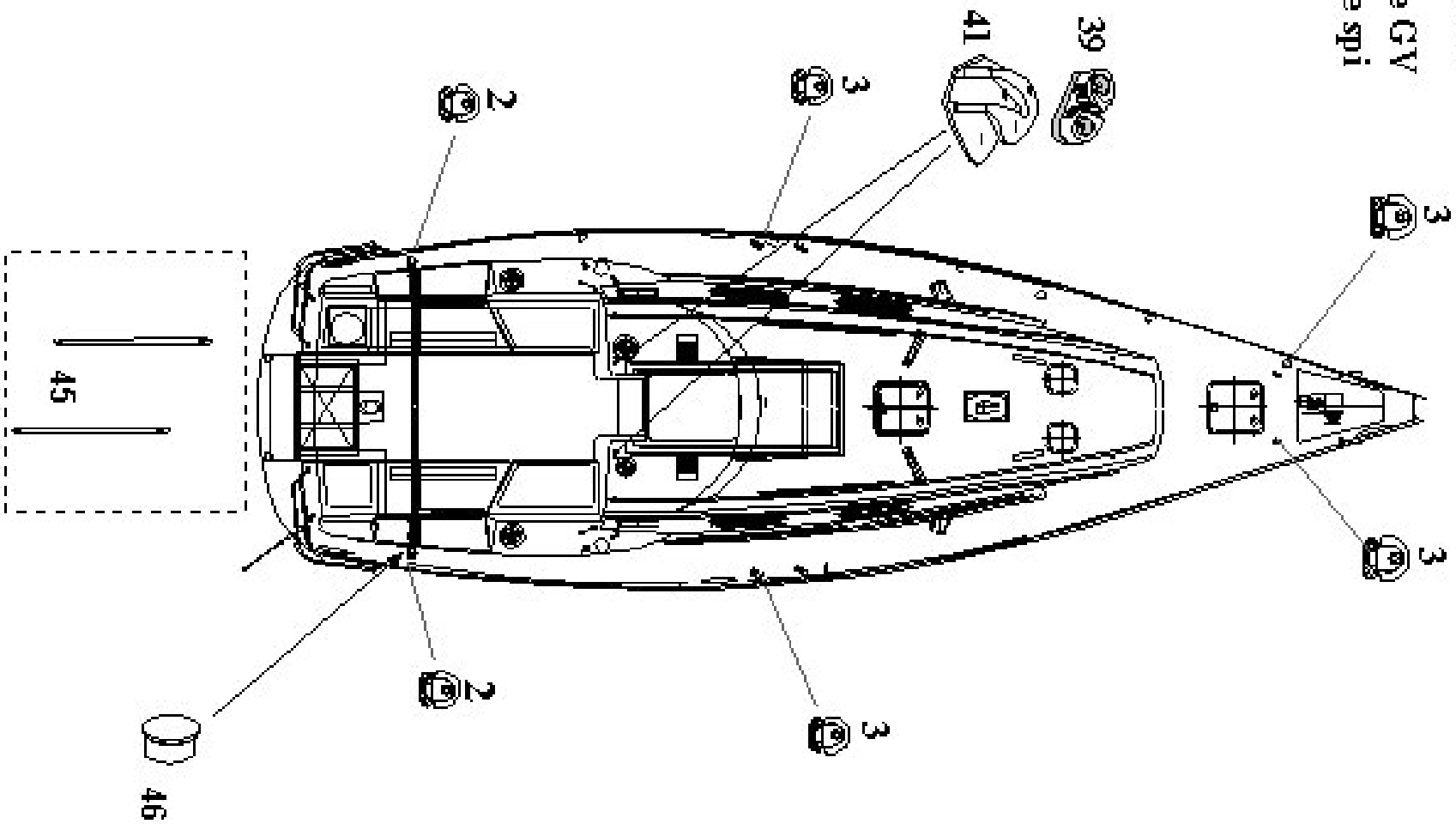


RUNNING RIGGING DECK GEAR

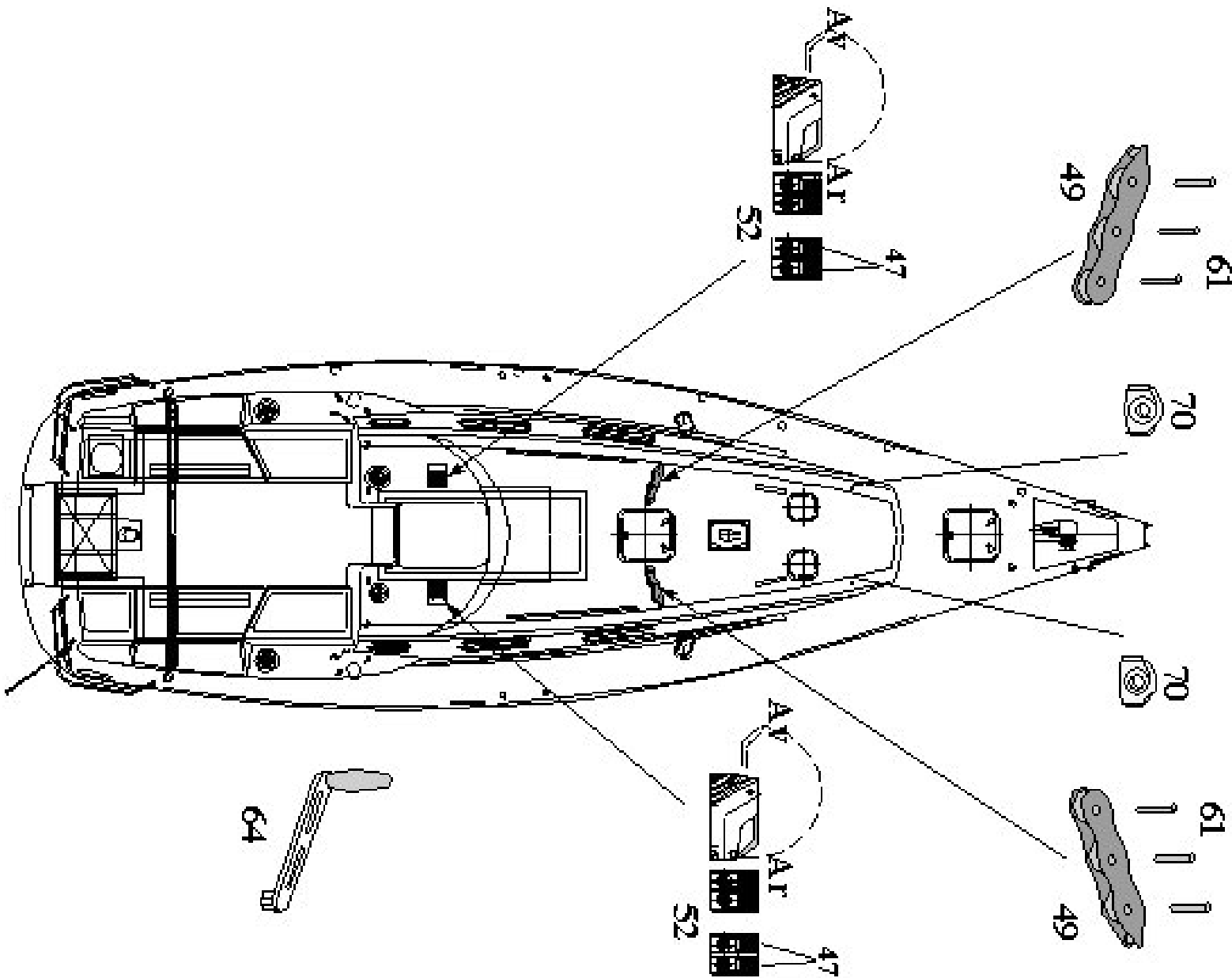


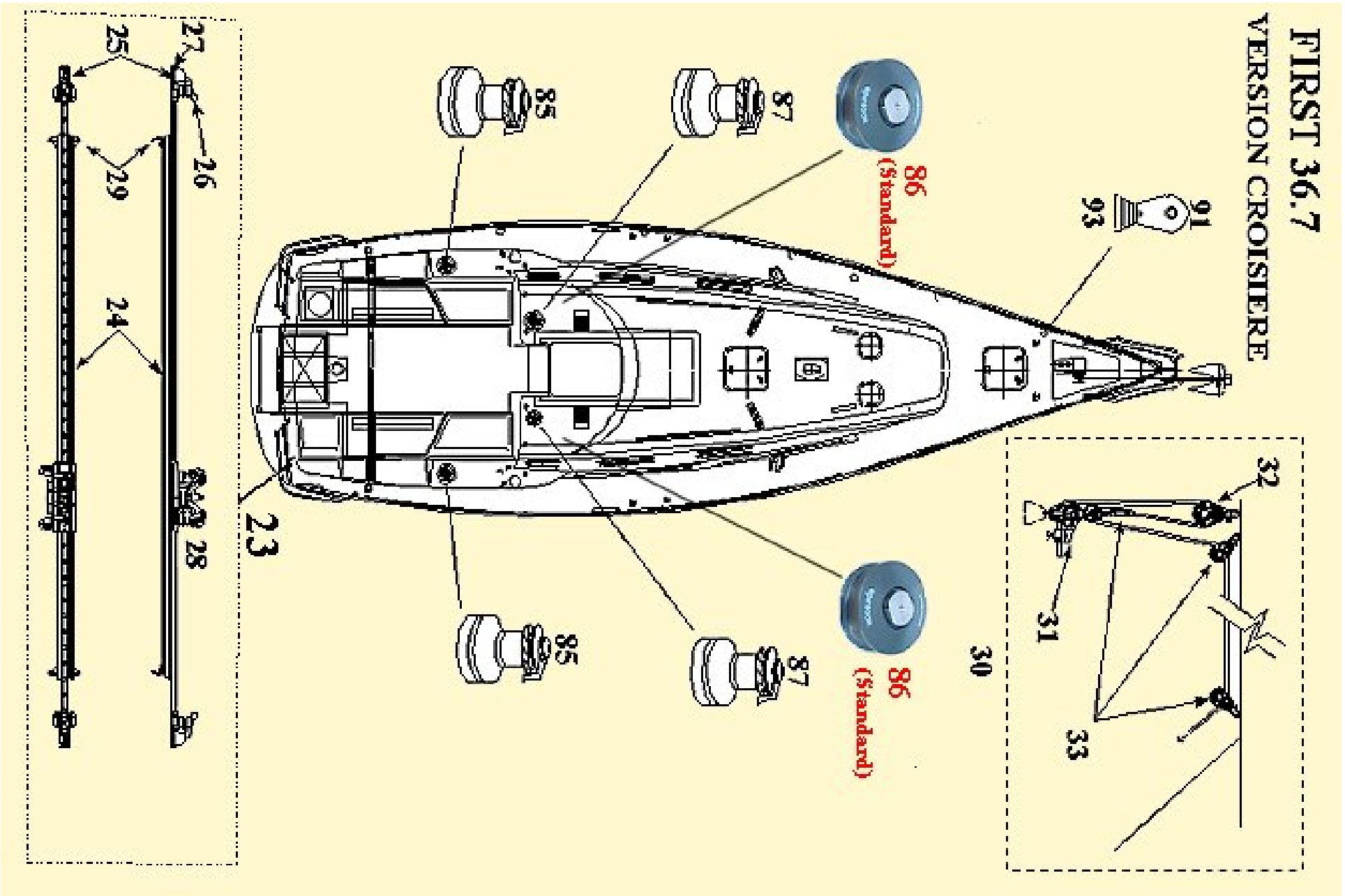
# FIRST 36.7

manoeuvre GV  
manoeuvre spi

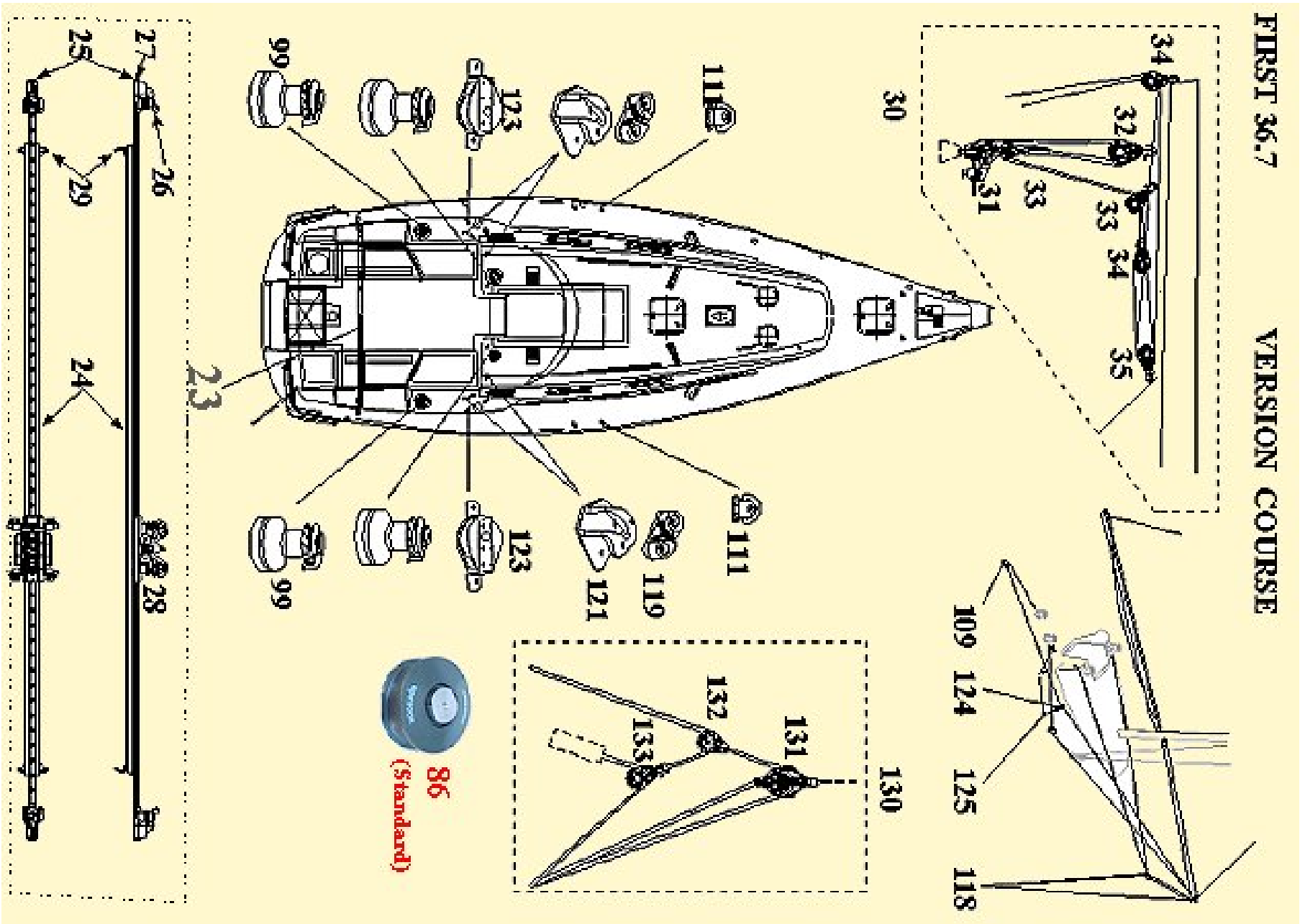


**FIRST 36.7**  
manoeuvre grey coat





RUNNING RIGGING DECK GEAR



**RUNNING RIGGING DECK GEAR**

option	Pos.	Part No.	Description	Quant. per boat	Version / Option	SS_FAM	Begining hull number	Ending hull number
	1	056037	RAIL GENOIS L1100 4EN CPLT BTE	1,000				
	1	056034	GENOA TRACK L1100 T1 RACING ALONE	4,000				
	1	043878	FOOT BLOCK GENOA SHEET+PORT JAMMER 80MM	1,000				
	1	043879	FOOT BLOCK GENOA SHEET+STBD JAMMER 80MM	1,000				
	1	056035	GENOA CAR RACING T1	2,000				
	1	043880	GENOA CAR RACING T1	2,000				
	1	043883	FWD GENOA TRACK END WITH SHEAVE T1	2,000				
	1	043882	AFT GENOA TRACK END RACING T1	6,000				2
	1	056097	AFT GENOA TRACK END RACING T1	6,000			3	
	1	034930	HIDING PLACE SECTION RAIL	1,000				
	1	034927	FWD TRACK END T1 RACING+PAD-EYE	1,000				
	1	056036	FWD TRACK END T1 RACING+PAD-EYE	1,000				
	2	003203	ARTICULATED CHAINPLATE D 8 BREAK 4500KG	2,000				
	3	003202	ARTICULATED CHAINPLATE D 6 BREAK 2700KG	4,000				
	13	043878	FOOT BLOCK GENOA SHEET+PORT JAMMER 80MM	1,000				
	15	043879	FOOT BLOCK GENOA SHEET+STBD JAMMER 80MM	1,000				
	17	851110	HY BEAM 150 CLEAT	2,000				
	19	039947	GUIDE HY BEAMM328 CLEAT	2,000				
	20	011271	HARKEN 132 CHEEK BLOCK	2,000				
	23	056583	MAINSAIL TRACK L2500 AUTO-BEARER COMPLET	1,000			431	
	23	056583	MAINSAIL TRACK L2500 AUTO-BEARER COMPLET	1,000	VERSION REGATE			
	23	056038	MAINSAIL TRACK L2500! NOT AVAILABLE !	1,000	VOILES CROISIERE			430

## RUNNING RIGGING DECK GEAR

option	Pos.	Part No.	Description	Quant. per boat	Version / Option	SS_FAM	Begining hull number	Ending hull number
	24	056581	MAINSAIL TRACK L 2400 T1 A-BEARER	1,000	VERSION REGATE			
	24	056581	MAINSAIL TRACK L 2400 T1 A-BEARER	1,000	VOILES CROISIERE			
	25	043872	MAINSAIL TRACK END RACING T1	2,000	VOILES CROISIERE			
	25	043872	MAINSAIL TRACK END RACING T1	2,000	VERSION REGATE			
	26	043873	CABLE STOP RACING T1	1,000	VOILES CROISIERE			
	26	043873	CABLE STOP RACING T1	1,000	VERSION REGATE			
	27	034930	HIDING PLACE SECTION RAIL	2,000	VERSION REGATE			
	27	034930	HIDING PLACE SECTION RAIL	2,000	VOILES CROISIERE			
	28	043871	MAINSHEET TRAVELLER T1 RACING	1,000	VOILES CROISIERE			
	28	056099	MAINSHEET TRAVELLER T1 /NOT AVAILABLE	1,000	VERSION REGATE			
	29	056724	PART NO LONGER AVAILABLE	2,000	VOILES CROISIERE			
	29	056724	PART NO LONGER AVAILABLE	2,000	VERSION REGATE			
	30	055756	MAINSAIL ADJUSTER 18350 CRUISING	1,000	VOILES CROISIERE			
	30	055757	MAINSAIL ADJUSTER 18350 RACING	1,000	VERSION REGATE			
	31	056582	POULIE VIOLON 80MM RING&COINC.	1,000	VERSION REGATE			
	31	056582	POULIE VIOLON 80MM RING&COINC.	1,000	VOILES CROISIERE			
	32	049571	DOUBLE BLOCK LOW LOAD 80MM	1,000	VOILES CROISIERE			

**RUNNING RIGGING DECK GEAR**

option	Pos.	Part No.	Description	Quant. per boat	Version / Option	SS_FAM	Begining hull number	Ending hull number
	32	049571	DOUBLE BLOCK LOW LOAD 80MM	1,000	VERSION REGATE			
	33	034924	SINGLE BLOCK HIGH LOAD 60MM	2,000	VERSION REGATE			
	33	034924	SINGLE BLOCK HIGH LOAD 60MM	3,000	VOILES CROISIERE			
	34	023772	HARKEN SINGLE SWIVEL BLOCK 168	3,000	VERSION REGATE			
	35	011432	DOUBLE BLOCK W SHACKLE HARKEN 127	1,000	VERSION REGATE			
	39	851110	HY BEAM 150 CLEAT	2,000				
	41	039947	GUIDE HY BEAMM328 CLEAT	2,000				
	45	055416	MAINSAIL TRACK TIE ROD L495 18350	2,000				
	46	048969	EXTINGUISHER PLASTIC COVER D50	1,000				
	47	057011	LABEL SPINLOCK	12,000				
	49	050074	CHEEK BLOCK 3 ALU SHEAVES D57 ESP	4,000				
	52	060784	MANUAL DOUBLE STOPPER NM	4,000			257	
	61	056930	VIS METAUX IN A4 TFHC 10X100FE	6,000				
	64	049555	ALU HANDLE HARKEN B10ASG SPEEDGRIP	2,000			361	
	64	581500	LOCKING ALU WINCH HANDLE L254	2,000				360
	70	404400	S S RING DIA 13	2,000				
	85	956806	HARKEN WINCH 44_2 STA	2,000	VOILES CROISIERE		361	
	85	053669	WINCH L 44 CSTC! NOT AVAILABLE !	2,000	VOILES CROISIERE			360
	86	063262	SHEAVE WINCHFEEDER SPIN TWF50M	2,000			292	
	87	956807	HARKEN WINCH 40_2 STA/NOT AVAILABLE	2,000	VOILES CROISIERE		361	
	87	053668	WINCH L 40 CSTC	2,000	VOILES CROISIERE			360



## RUNNING RIGGING DECK GEAR

option	Pos.	Part No.	Description	Quant. per boat	Version / Option	SS_FAM	Beginning hull number	Ending hull number
	91	072669	POULIE SIMP.D 60 EMERILLON AM	1,000	VOILES CROISIERE		468	521
	91	714000	SINGLE BLOCK T1	1,000	VOILES CROISIERE			467
	91	076534	BLOCK SINGLE D60 NM	1,000	VOILES CROISIERE		522	
	93	677600	DECK PLATE SIZE 1	1,000	VOILES CROISIERE			
	99	956806	HARKEN WINCH 44_2 STA	2,000	VERSION REGATE		361	
	99	054332	WINCH L 48 ASTC! NOT AVAILABLE !	2,000	VERSION REGATE			360
	109	043875	SINGLE BLOCK LOW LOAD 80MM	2,000	VERSION REGATE			
	111	003203	ARTICULATED CHAINPLATE D 8 BREAK 4500KG	2,000	VERSION REGATE			
	117	044781	SINGLE BLOCK L LOAD 60MM+HOOK	1,000	VERSION REGATE			
	118	034771	SINGLE BLOCK D60 HD	2,000	VERSION REGATE			
	119	851110	HY BEAM 150 CLEAT	4,000	VERSION REGATE			
	121	039947	GUIDE HY BEAMM328 CLEAT	4,000	VERSION REGATE			
	122	054330	WINCH L 40 ASTC	2,000	VERSION REGATE			
	123	011271	HARKEN 132 CHEEK BLOCK	2,000	VERSION REGATE			
	124	014837	TRAVELER BLOCK HARKEN 148	2,000	VERSION REGATE			
	125	039955	SINGLE BLOCK W BECKET SWIVEL D57 H002	2,000	VERSION REGATE			
	130	056568	ENS.POULIES PATARAS 18350 RAC.	1,000	VERSION REGATE			

**RUNNING RIGGING DECK GEAR**

option	Pos.	Part No.	Description	Quant. per boat	Version / Option	SS_FAM	Begining hull number	Ending hull number
	131	056034	GENOA TRACK L1100 T1 RACING ALONE	4,000				
	131	056584	PART NO LONGER AVAILABLE	1,000	VERSION REGATE			
	132	035051	LOWER BLOCK CASCADE 18367 IMS	1,000	VERSION REGATE			
	132	056035	GENOA CAR RACING T1	2,000				
	133	034924	SINGLE BLOCK HIGH LOAD 60MM	1,000	VERSION REGATE			
	133	043880	GENOA CAR RACING T1	2,000				
	134	043883	FWD GENOA TRACK END WITH SHEAVE T1	2,000				
	136	056097	AFT GENOA TRACK END RACING T1	6,000				
	137	034930	HIDING PLACE SECTION RAIL	1,000				
	138	034927	FWD TRACK END T1 RACING+PAD-EYE	1,000				
	139	056036	FWD TRACK END T1 RACING+PAD-EYE	1,000				