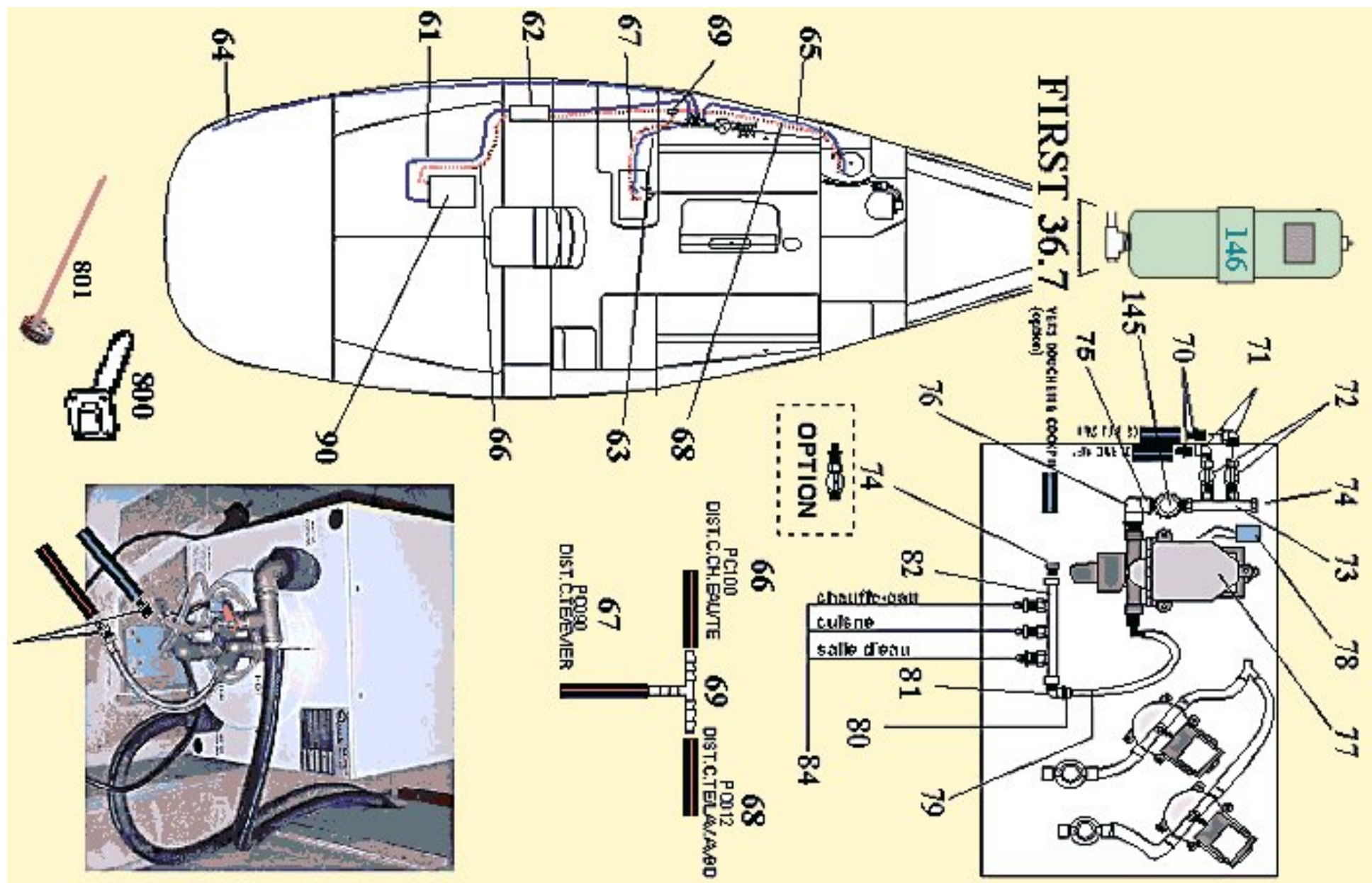
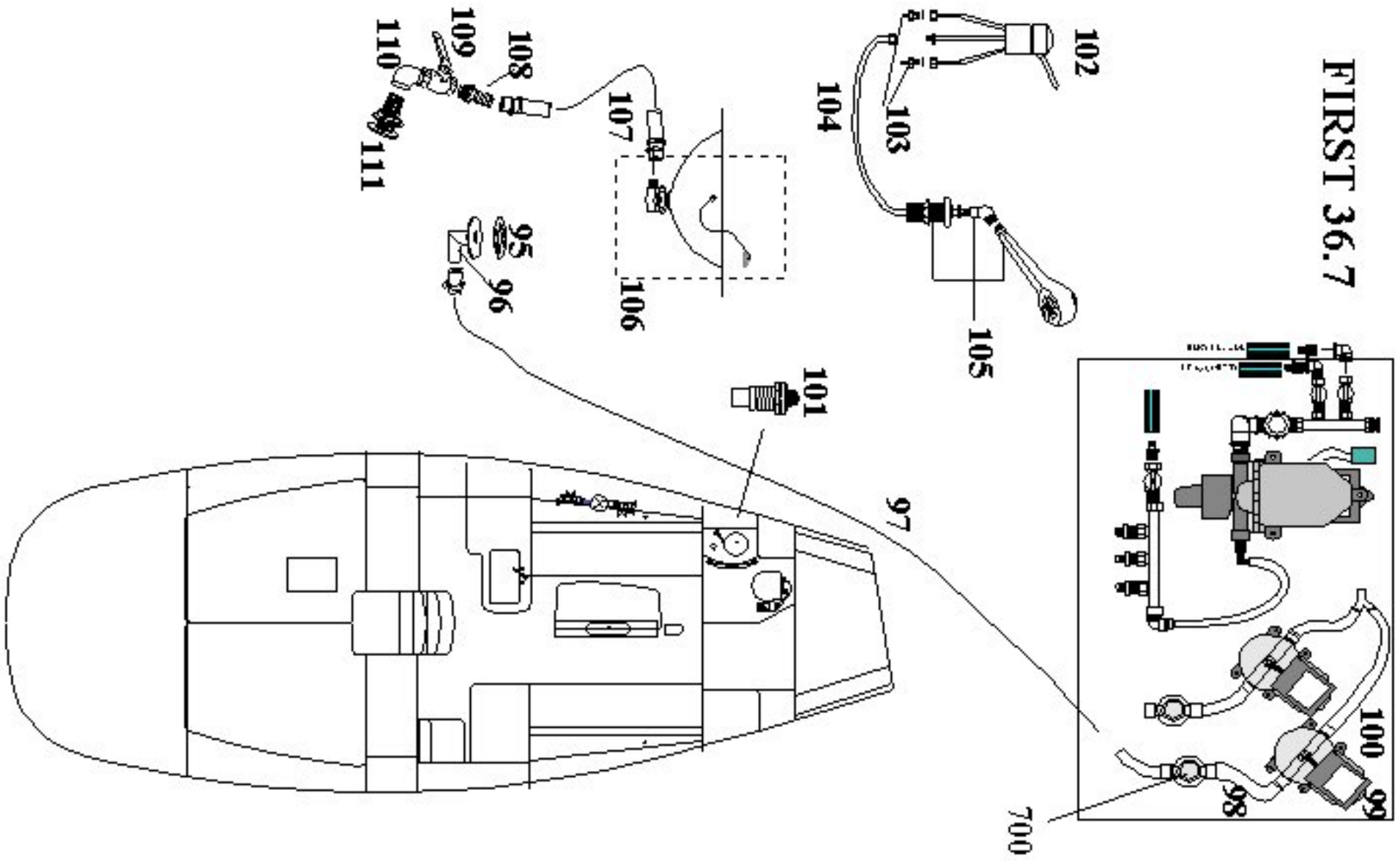
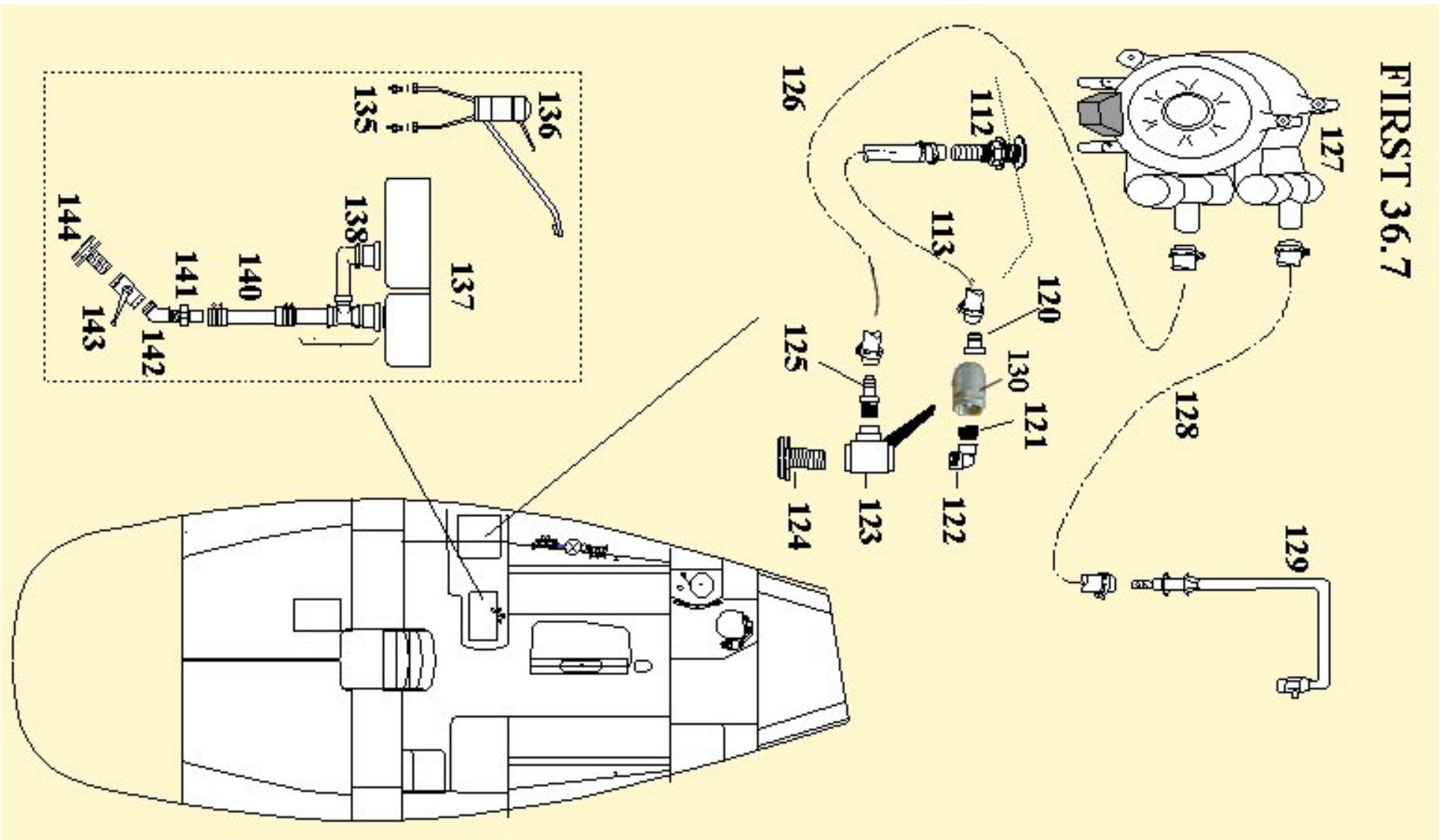


INTERIOR PLUMBING



INTERIOR PLUMBING





INTERIOR PLUMBING

option	Pos.	Part No.	Description	Quant. per boat	Version / Option	SS_FAM	Begining hull number	Ending hull number
	20	065249	S S DECK FILLER CAP FOR WATER	1,000				
	22	019238	BEN FLEX HOSE D35 L ! NOT AVAILABLE !	1,000				
	23	019110	TANK TIE ROD L300 THREADED 140MM	2,000				
	24	038037	ALU TUBE D30X4 L480 +HOLE D12	1,000				
	25	050984	PORT ROTOMOLDED WATER TANK 136L EQUIP	1,000				
	25	532250	GAUGE FOR OUTBOARD LENGTH 560	1,000				
	25	006731	OUTBOARD GAUGE PLASTIC FLOAT(SM SIZE)	1,000				
	25	268247	OUTBOARD GAUGE LID (TRANSPARENT)	1,000				
	25	056802	PLUG ROTOMOLDED WATER TANK 170L	1,000				
	26	268247	OUTBOARD GAUGE LID (TRANSPARENT)	1,000				
	27	532250	GAUGE FOR OUTBOARD LENGTH 560	1,000				
	28	006731	OUTBOARD GAUGE PLASTIC FLOAT(SM SIZE)	1,000				
	29	071156	HOSE SPIRACIER D16X23 GREY D16	2,000				
	30	005750	VENT CHROMED BRASS TANK BENT PORT D16	1,000				
	31	022384	NON-RETURN VALVE MF 15X21 BRASS	1,000				
	32	025409	NITRILE TORIC JOINT 15_5X3_53	1,000				
	33	073711	ELBOW 90 MF 1_2P STDG BRZ AM	1,000				
	34	021142	STRAIGHT BRASS CONN M15X21 D12	1,000				
	35	072477	CRISTAL HOSE 12X20 BLUE	1,000				
	36	065249	S S DECK FILLER CAP FOR WATER	1,000				
	38	019238	BEN FLEX HOSE D35 L ! NOT AVAILABLE !	1,000				
	40	038037	ALU TUBE D30X4 L480 +HOLE D12	1,000				

INTERIOR PLUMBING

option	Pos.	Part No.	Description	Quant. per boat	Version / Option	SS_FAM	Beginning hull number	Ending hull number
	41	050985	STBD ROTOMOLDED WATER TANK 136L EQUIP	1,000				
	41	532250	GAUGE FOR OUTBOARD LENGTH 560	1,000				
	41	006731	OUTBOARD GAUGE PLASTIC FLOAT(SM SIZE)	1,000				
	41	268247	OUTBOARD GAUGE LID (TRANSPARENT)	1,000				
	41	056802	PLUG ROTOMOLDED WATER TANK 170L	1,000				
	41	006731	OUTBOARD GAUGE PLASTIC FLOAT(SM SIZE)	1,000				
	41	268247	OUTBOARD GAUGE LID (TRANSPARENT)	1,000				
	41	056802	PLUG ROTOMOLDED WATER TANK 170L	1,000				
	41	532250	GAUGE FOR OUTBOARD LENGTH 560	1,000				
	41	006731	OUTBOARD GAUGE PLASTIC FLOAT(SM SIZE)	1,000				
	41	268247	OUTBOARD GAUGE LID (TRANSPARENT)	1,000				
	42	268247	OUTBOARD GAUGE LID (TRANSPARENT)	1,000				
	43	532250	GAUGE FOR OUTBOARD LENGTH 560	1,000				
	44	006731	OUTBOARD GAUGE PLASTIC FLOAT(SM SIZE)	1,000				
	45	071156	HOSE SPIRACIER D16X23 GREY D16	2,000				
	46	005751	VENT CHROMED BRASS TANK BENT STBD D16	1,000				
	47	022384	NON-RETURN VALVE MF 15X21 BRASS	1,000				
	48	025409	NITRILE TORIC JOINT 15_5X3_53	1,000				
	49	073711	ELBOW 90 MF 1_2P STDG BRZ AM	1,000				
	50	021142	STRAIGHT BRASS CONN M15X21 D12	1,000				
	51	072477	CRISTAL HOSE 12X20 BLUE	5,000				

INTERIOR PLUMBING

option	Pos.	Part No.	Description	Quant. per boat	Version / Option	SS_FAM	Beginning hull number	Ending hull number
	52	076364	BLACK WEBBING STRAP L1000 COMPLETE NM	4,000				
	60	231400	TIGHTEN SPANNER WATER TANK DECK FILL CAP	1,000				
	61	072477	CRISTAL HOSE 12X20 BLUE	4,000				
	62	073338	HOSE RAW WATER ENGIN DIA20 STD G	2,000				
	63	072477	CRISTAL HOSE 12X20 BLUE	2,000				
	64	072477	CRISTAL HOSE 12X20 BLUE	6,000				
	65	072477	CRISTAL HOSE 12X20 BLUE	3,000				
	66	058178	CRISTAL HOSE 12X20 RED	4,000				
	67	058178	CRISTAL HOSE 12X20 RED	2,000				
	68	058178	CRISTAL HOSE 12X20 RED	3,000				
	69	990561	PLASTIC EE-PIECE 12X12X12	1,000				
	70	021142	STRAIGHT BRASS CONN M15X21 D12	2,000				
	71	073711	ELBOW 90 MF 1_2P STDG BRZ AM	2,000				
	72	031053	VALVE 2WAY 1 4T MF15X21 BRASS	2,000				
	73	060740	BRASS MANIFOLD F15X21 3S 1E	1,000				
	74	016142	PLUG BRASS MALE 15X21	2,000				
	75	010675	BRASS COUPLING 90 ELBOW FF 15X21	1,000				
	76	073711	ELBOW 90 MF 1_2P STDG BRZ AM	1,000				
	77	054487	WATER PUMP 12V 7A 12_5L MN 2_5B	1,000				
	78	761650	RELAY 012V 25A CARTIER O+F	1,000				
	79	072477	CRISTAL HOSE 12X20 BLUE	1,000				
	80	021142	STRAIGHT BRASS CONN M15X21 D12	1,000				
	81	073711	ELBOW 90 MF 1_2P STDG BRZ AM	1,000				
	82	060741	BRASS MANIFOLD F15X21 4S 1E	1,000				
	84	021142	STRAIGHT BRASS CONN M15X21 D12	3,000				
	90	062662	WATER HEATER 220V 22L QUICK 2003	1,000				
	91	021142	STRAIGHT BRASS CONN M15X21 D12	2,000				
	95	027611	S S BUNG GRILL D85	1,000				

INTERIOR PLUMBING

option	Pos.	Part No.	Description	Quant. per boat	Version / Option	SS_FAM	Beginning hull number	Ending hull number
	96	067804	SHOWER DRAIN PIPE D20X70 BENT NM	1,000				
	97	073338	HOSE RAW WATER ENGIN DIA20 STD G	4,000				
	98	073338	HOSE RAW WATER ENGIN DIA20 STD G	1,000				
	99	041563	BILGE PUMP 12V 13L MN+FILTER ((C E)	1,000				521
	99	033337	SHOWER PUMP 12V 15L MN	1,000			522	
	100	073338	HOSE RAW WATER ENGIN DIA20 STD G	1,000				
	101	530752	SWITCH APR WATERPROOF PUSH	1,000				
	102	026942	MIXING TAP COIFFEUR	1,000				
	103	027475	STRAIGHT BASS CONN BEN M12X17 D12	2,000				
	104	049204	WHITE SHOWER HOSE L2000/NOT AVAILABLE	1,000				
	105	037272	SHOWER POMMEL 2JETS CHROM +FLEX ARTICUL	1,000				
	106	021391	PLUG GROOVED D25 WASHBASIN SINK	1,000				
	107	T22130075	HOSE 25 L 0_75 WATER STDG	1,000				
	108	338000	BRASS STR GROOVED END-PIECE M26X34 D25	1,000				
	109	026069	2 WAY VALVE 1 4 FF26X34 BRASS S S	1,000				
	110	073716	ELBOW 90 MF 2P STDG BRZ AM	1,000				
	112	825000	PLASTIC GROOVED SKIN FITTING 20X27	1,000				
	113	073338	HOSE RAW WATER ENGIN DIA20 STD G	1,000				
	120	026425	BRASS STR GROOVED END-PIECE F20X27 D19	1,000				217
	120	342700	HOSE BARB MALE BRASS 20X27 D19	1,000			218	
	121	006267	BRASS STR END-PIECE MM 20X27-15X21	1,000				
	122	073711	ELBOW 90 MF 1_2P STDG BRZ AM	1,000				
	123	906350	3 WAY VALVE 1 4T FFF15X21 (BRASS) L-WAY	1,000				
	124	070293	THRU HULL BR 15X21 1 2	1,000				

INTERIOR PLUMBING

option	Pos.	Part No.	Description	Quant. per boat	Version / Option	SS_FAM	Beginning hull number	Ending hull number
	125	342600	BRASS STR GROOVED END-PIECE M15X21 D18	1,000				
	126	071156	HOSE SPIRACIER D16X23 GREY D16	1,000				
	127	690450	SINK FOOT PUMP MK3	1,000				
	128	071156	HOSE SPIRACIER D16X23 GREY D16	2,000				
	129	096650	SPOUT WITH CHROMED TAP	1,000				
	130	047417	NON-RETURN VALVE FF20X27 BRASS	1,000				
	135	027475	STRAIGHT BASS CONN BEN M12X17 D12	2,000				
	136	062479	MIXING TAP SINK CHROMED / NOT AVAILABLE	1,000				
	137	044056	S S DOUBLE SINK 580X300X150(MAT)	1,000				
	138	041110	DOUBLE SINK DRAIN_BONDES L320	1,000				
	140	042252	BEN FLEX HOSE D35 L ! NOT AVAILABLE !	1,000				
	141	342800	BRASS STR GROOVED END-PIECE M33X42 D36	1,000				
	142	073719	ELBOW 45 MF 1P1_4 STDG BRZ AM	1,000				
	143	903956	2 WAY VALVE 1/4 FF 33X42 BRASS S/S JN	1,000				
	144	070297	THRU HULL BRASS 33X42 1P1 4	1,000				
	145	034099	WATER PUMP FILTER ITT MM15X21	1,000				
	146	058471	EXPANSION VESSEL FOR WATER ITT 1L	1,000				
	351	056802	PLUG ROTOMOLDED WATER TANK 170L	2,000				
	502	015203	PLUG WATER DECK FILLER / NOT AVAILABLE	1,000				
	531	056802	PLUG ROTOMOLDED WATER TANK 170L	1,000				
	700	406000	PUMP FILTER	1,000				
	800	055461	RESISTANCE WATER HEATER 220V QUICK	1,000				

INTERIOR PLUMBING

option	Pos.	Part No.	Description	Quant. per boat	Version / Option	SS_FAM	Begining hull number	Ending hull number
	801	057616	QUICK WATER HEATER THERMOSTAT 110 220V	1,000				