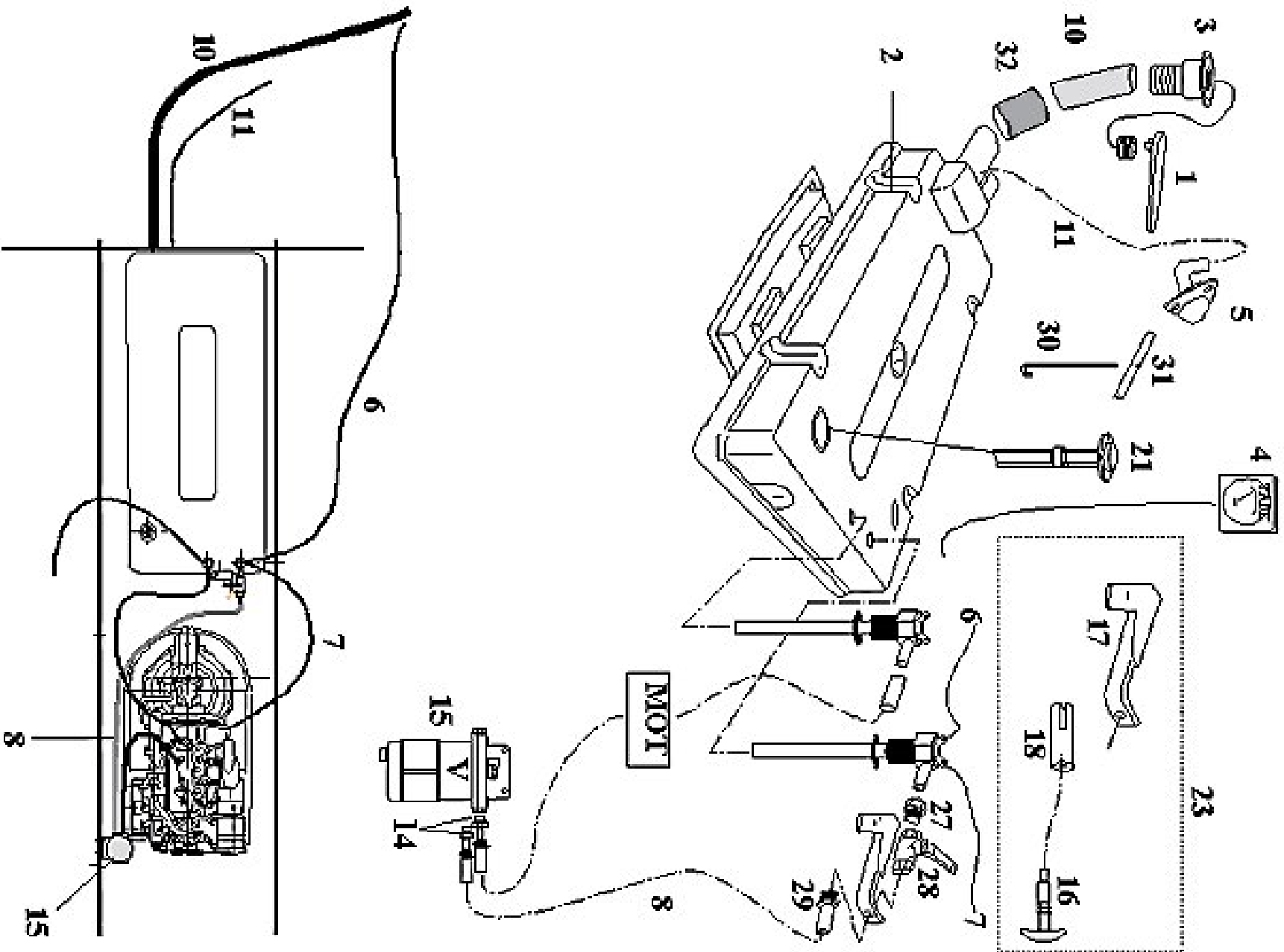


FIRST 36.7



COMBUSTIBLE CIRCUIT

option	Pos.	Part No.	Description	Quant. per boat	Version / Option	SS_FAM	Beginning hull number	Ending hull number
	1	066262	TIGHTENNING SPANNER S S FUEL DECK FILLER	1,000				
	2	051304	FUEL TANK ROTO 75L 14361 EQUIP(CE)	1,000				
	2	878800	GAUGE 0 180OHMS TRANSMITTER FUEL LEVEL	1,000				
	2	878800	GAUGE 0 180OHMS TRANSMITTER FUEL LEVEL	1,000				
	3	065247	S S DECK FILLER GASOIL	1,000				
	3	072447	S/S FUEL DECK FILLER CAP	1,000				
	4	046690	INDICATOR GASOIL 12V AM/NOT AVAILABLE	1,000				
	5	005750	VENT CHROMED BRASS TANK BENT PORT D16	1,000				
	6	F1281V0350AO4F5	CBL 6 C O 5_2 CPF 6_3	1,000				
	7	F1281V0065AF5O7	CBL 6 CPF 6_3 C F 10_3	1,000				
	8	T11100190	TUYAU 8 L 1_90 CARB THER	1,000				
	10	T25040350	TUYAU 54 L 3_50 REMPL	1,000				
	14	068110	BRASS STR.GROOVED END-PIECE M1/2-20UNF D8	2,000				
	15	055243	FUEL FILTER SEPAR VOLVO (C E)	1,000				
	16	016632	FUEL TAP CLOSING PULL HANDLE L 3MPAD-EYE	1,000				
	17	033123	CONTROL CABLE PLATE SHUT OFF VALVE 12X17	1,000				
	18	206900	LUG-PIECE W OUT DRILLINGS	1,000				
	21	878800	GAUGE 0 180OHMS TRANSMITTER FUEL LEVEL	1,000				
	23	033122	SHUT OFF VALVE KIT 12X17 L3M	1,000				
	27	020572	STRAIGHT BRASS CONN UN 6 8 M12X17	1,000				
	28	026066	2 WAY VALVE 1 4 FF 12X17 BRASS DACROM	1,000				
	29	048357	BRASS STR GROOVED END-PIECE M12X17 D8	1,000				

COMBUSTIBLE CIRCUIT

option	Pos.	Part No.	Description	Quant. per boat	Version / Option	SS_FAM	Begining hull number	Ending hull number
	30	864100	TANK TIE ROD LGTH 24! NOT AVAILABLE !	1,000				
	31	038037	ALU TUBE D30X4 L480 +HOLE D12	1,000				
	32	954354	NEOPRENE SLEEVE 50X52 H50	1,000				
	80	T11100100	TUYAU 8 L 1_00 CARB THER	1,000	YANMAR 3GM30F SD 19KW(27CV)D			
	80	T11100110	TUYAU 8 L 1_10 CARB THER	1,000	VOLVO 2030 SD 20KW(28CV) D			
	81	T11100110	TUYAU 8 L 1_10 CARB THER	1,000	YANMAR 3GM30F SD 19KW(27CV)D			
	81	T11100150	TUYAU 8 L 1_50 CARB THER	1,000	VOLVO 2030 SD 20KW(28CV) D			